

**GANTRY - T SERIES ADJUSTABLE HEIGHT, SPAN, AND TREAD**



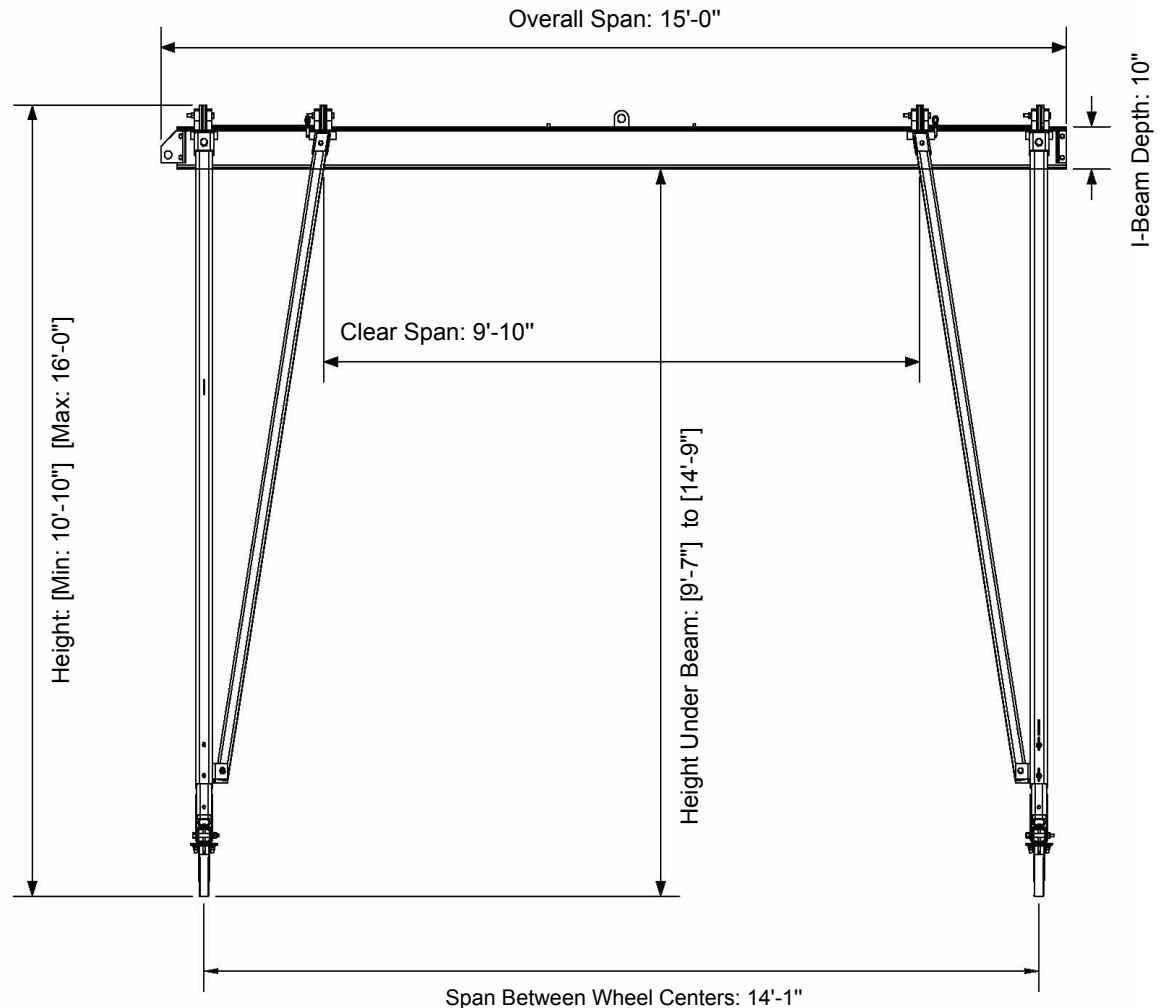
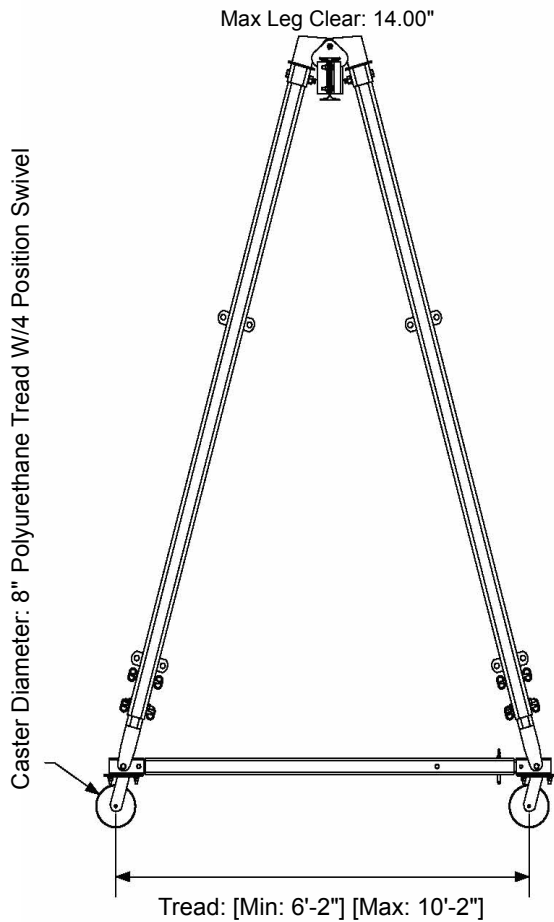
APPROVED       NOT APPROVED / RESUBMIT WITH CHANGES

SIGNATURE \_\_\_\_\_

DATE \_\_\_\_\_

NOTE: PLEASE MARK "APPROVED" OR "NOT APPROVED". DRAWINGS RETURNED MARKED "APPROVED AS NOTED" REQUIRED RESUBMITTAL FOR FINAL "APPROVED" STATUS. PROMPT APPROVAL WILL HELP CONFORM TO ANY TENTATIVE DELIVERY DATE. DELAYED APPROVAL OR CHANGES TO SYSTEM MAY DELAY TENTATIVE DELIVERY DATE. (SCHEDULING OF CHANGES BASED ON CURRENT ENGINEERING WORKLOAD). CHANGES TO QUOTED SYSTEM MAY RESULT IN ADDITIONAL COSTS. PER SPANCO PROTOCOL, REQUESTS FOR CHANGES REACHING REVISION LEVEL "C" REQUIRED A REVIEW OF ACCRUED COSTS. STANDARD SPANCO YELLOW AND GRAY PAINT WILL BE PROVIDED.

Quote #:	T-182289
Capacity:	6000 lbs
Weight: ±	1930 lbs
Part #:	3T1515S



Note: All wheel centers are approximate and will vary with installation.