

GANTRY - A SERIES ALUMINUM ADJUSTABLE HEIGHT & SPAN



APPROVED NOT APPROVED / RESUBMIT WITH CHANGES

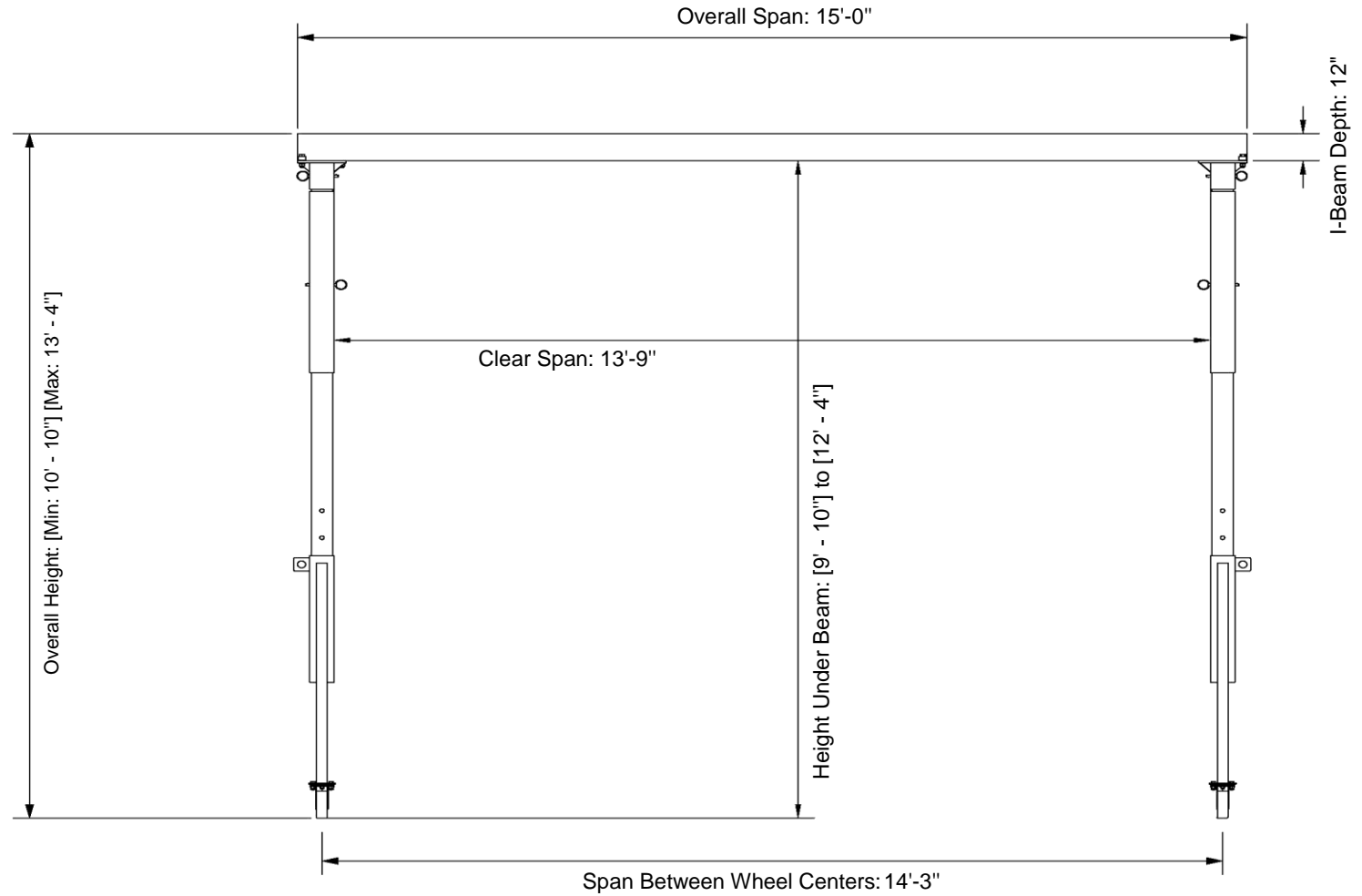
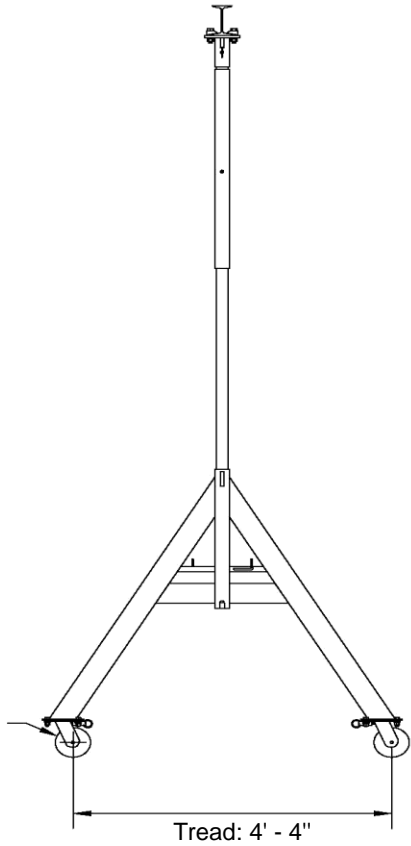
SIGNATURE _____

DATE _____

NOTE: PLEASE MARK "APPROVED" OR "NOT APPROVED". DRAWINGS RETURNED MARKED "APPROVED AS NOTED" REQUIRED RESUBMITTAL FOR FINAL "APPROVED" STATUS. PROMPT APPROVAL WILL HELP CONFORM TO ANY TENTATIVE DELIVERY DATE. DELAYED APPROVAL OR CHANGES TO SYSTEM MAY DELAY TENTATIVE DELIVERY DATE. (SCHEDULING OF CHANGES BASED ON CURRENT ENGINEERING WORKLOAD). CHANGES TO QUOTED SYSTEM MAY RESULT IN ADDITIONAL COSTS. PER SPANCO PROTOCOL, REQUESTS FOR CHANGES REACHING REVISION LEVEL "C" REQUIRED A REVIEW OF ACCRUED COSTS. STANDARD SPANCO YELLOW AND GRAY PAINT WILL BE PROVIDED.

Quote #:	
Capacity:	4000 lbs
Weight: ±	± 394 lbs
Part #:	2ALU1512

Caster Diameter: 8" Polyurethane Tread W/4 Position Swivel Locks



Span Between Wheel Centers: 14'-3"