

Crosby® Clamp-Co Beam Clamps

CCBC

Crosby Clamp-Co Beam Clamps provide an efficient method for handling wide flange beam sections and plate girders. When lifting, these beam clamps grip the beam at three points, and when properly balanced and safely guided, the beam can be handled even if the clamp is slightly off center lengthwise.



- Capacities: 5 Tons to 35 Tons
- Eliminates the need for slings, chokers, and spreader bars.
- When applied to load, the tongs automatically open and slide under the flange of the beam.
- Center plate and gripping tongs work together - the heavier the beam, the greater the clamping pressure.
- Model "NS" clamps have a recessed base to accept studs welded to the beam surface.
- Individually Proof Tested to 2 times the Working Load Limit with certification.
- Finish - Red Paint.
- All sizes are **RFID EQUIPPED**.

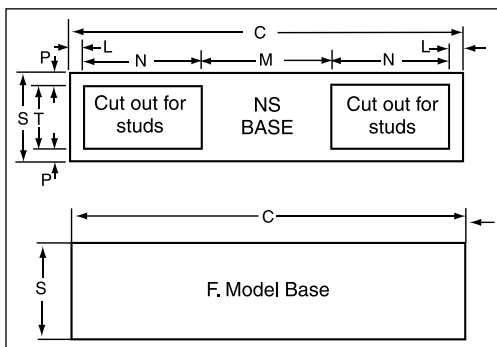
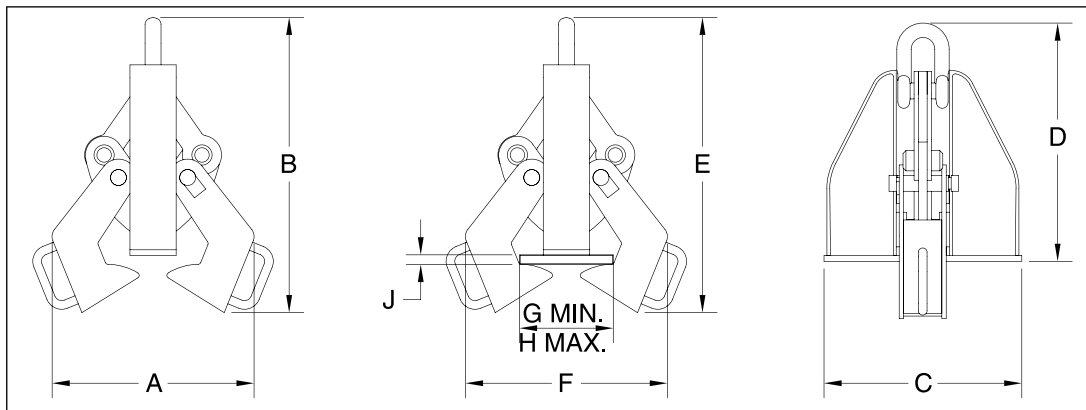


NOTE: Control the beam at all times. Beams should be gripped as near the center as possible. Snubbing lines at each end must be used to control excessive twisting or swinging, and to guide the beam to its proper place. Each lifting situation may have a specific demand which should be addressed before lifting.

Beam Clamps

Model No.	CCBC-500 Stock No.	Working Load Limit (Tons)*	Flange Grip Range (in.)		Weight Each (lbs.)	Dimensions (in.)									
			Width	Thickness		A	B	C	D	E	F	G	H	J	
F-5	2732000	5	4 - 10	.5 - 1	70.0	9.50	26.00	12.00	20.00	25.50	16.00	4.00	10.00	1.00	
F-15	2732009	15	7 - 17	.5 - 2	153	15.50	34.00	17.00	27.00	34.50	25.00	7.00	17.00	2.00	
NS-15	2732018	15	7 - 17	.5 - 2	153	15.50	34.00	17.00	27.00	34.50	25.00	7.00	17.00	2.00	
F-25	2732027	25	16 - 24	1 - 3	290	23.00	48.00	22.25	36.00	53.00	37.25	16.00	24.00	3.00	
NS-25	2732036	25	16 - 24	1 - 3	290	23.00	48.00	22.25	36.00	53.00	37.25	16.00	24.00	3.00	
F-35	2732045	35	16 - 36	1.63 - 4	519	30.00	64.00	27.50	48.00	58.00	53.00	16.00	36.00	4.00	
NS-35	2732054	35	16 - 36	1.63 - 4	519	30.00	64.00	27.50	48.00	58.00	53.00	16.00	36.00	4.00	

* Maximum Proof Load is 2 times the Working Load Limit and design factor based on EN13155 and ASME B30.20.
NOTE: : For beam clamps larger than 35 Tons, please contact the Crosby Special Engineered Products Department.



Base Stock No.	Base Dimensions (in.)						
	C	L	M	N	P	S	T
F-5	13.50	-	-	-	-	3.00	-
F-15	17.00	-	-	-	-	4.00	-
NS-15	17.00	.50	6.50	4.50	.75	4.00	2.50
F-25	22.25	-	-	-	-	5.50	-
NS-25	22.25	.75	7.75	6.50	.75	5.50	4.00
F-35	27.50	-	-	-	-	6.00	-
NS-35	27.50	.75	9.00	8.50	.75	6.00	4.50