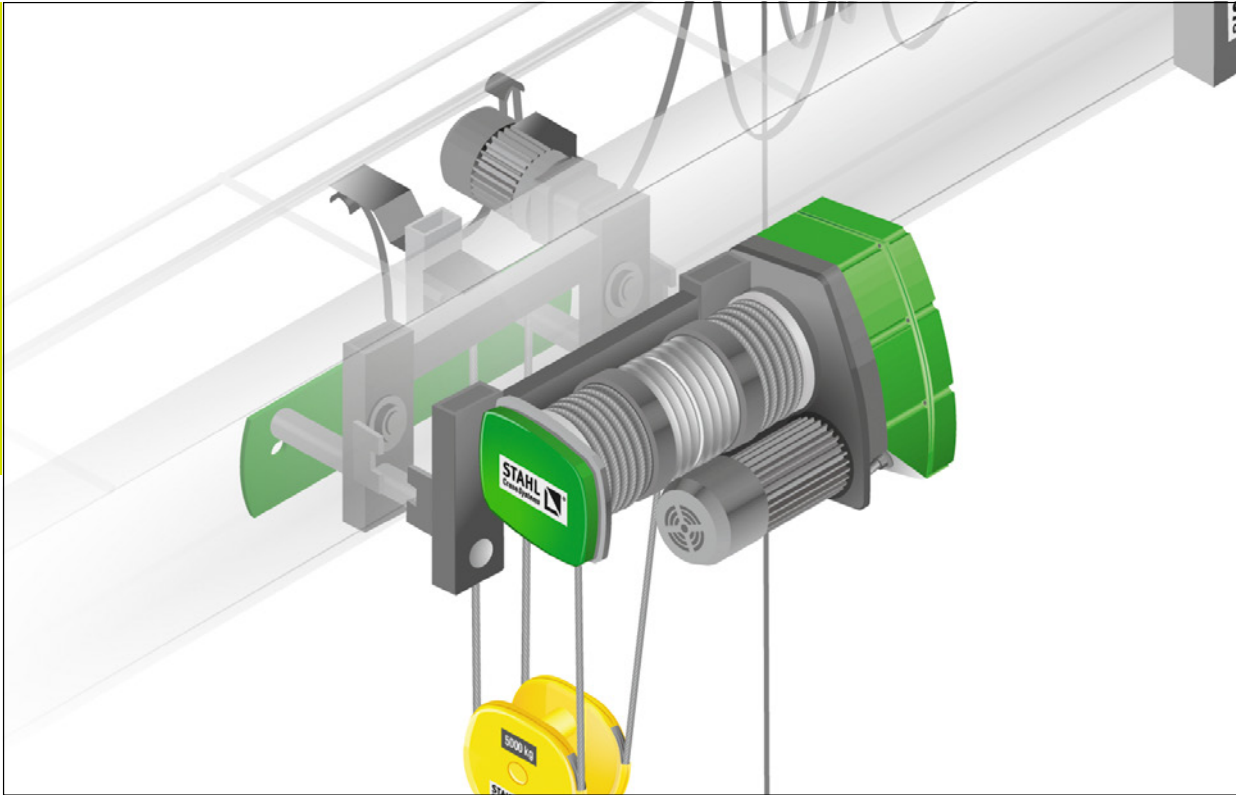


Single Girder Underhung Trolley



12.2016

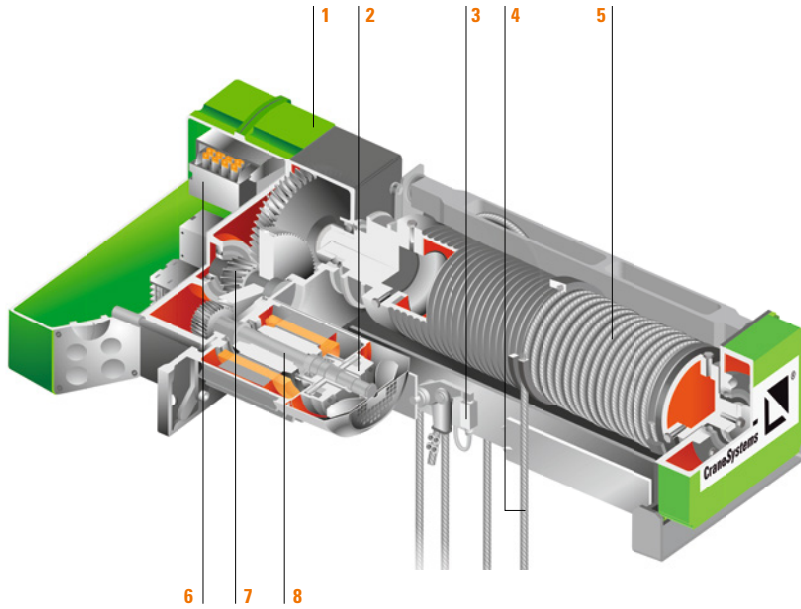
The SH range from STAHL CraneSystems is a world-wide optimum in crane and hoist technology, compact, powerful and particularly maintenance-friendly. Users, crane manufacturers and system manufacturers appreciate the modular system, built up on the basis of tried-and-tested, low-maintenance series components. This varied range permits use in individual solutions thanks to the virtually unlimited combinations of the modules. The SH hoists from STAHL CraneSystems are available for capacities up to 30 Ton in five frame sizes. The single girder underhung trolley can be used on monorails or cranes or integrated into systems for material handling solutions. The entire SH wire rope hoists program is also available to work in hazardous environments. They are certified to ATEX for various Zones and to UL for Class 1, Division 1, Group C&D.

The facts

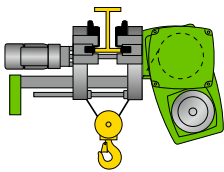
- Five frame sizes with capacities up to 30 Ton
- Three different trolley versions and almost any flange width available
- The 'U' shape of the hoist results in a short overall length
- Low wear, long life, minimal maintenance
- Standard high quality components ensure increased safety
- A large number of options available, including explosion protection in compliance ATEX and UL for Class 1, Division 2, Group C&D

Partner of Experts

STAHL
CraneSystems 

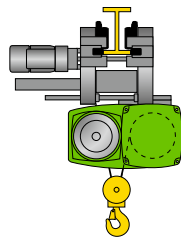


- 1 Control Box
- 2 DC Brake
- 3 Overload Sensor
- 4 Wire Rope
- 5 Rope Guide
- 6 Contact Controls
- 7 Hoist Gears
- 8 Hoist Motor



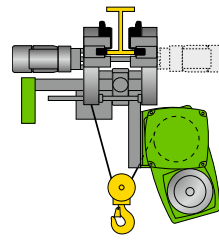
KE monorail trolley

Very low headroom results in maximum lifting height



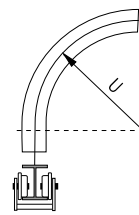
UE monorail trolley

When side clearances are tight



DKE articulated trolleys

The solution when the runway has curves



Hoist Type	Capacity [US Tons]	Drum	Lifting Height [ft]	Dimensions [in]		
				C	e1	A
SH 3	3	L2	20	16	40 5/16	17 15/16
		L3	33		51 15/16	
SH 4	7.5	L2	20	20 1/2	41 3/16	18 3/16
		L3	33		52 13/16	
SH 5	15	L2	20	24 3/4	47 1/4	23
		L3	33		59 5/8	
		L4	66		90 9/16	
SHR 6	17.5	L2	28	29 1/2	53 15/16	25 3/16
		L3	46		66 5/8	
		L4	93		96 5/8	
SH 6	30	L2	20	56	53 15/16	24 3/16
		L3	33		66 5/8	
		L4	66		96 5/8	
		L5	96		128	

Dimensions shown are for standard 'KE' low headroom trolley at a flange width of 7" and 4/1 (4 PS) reeving.

