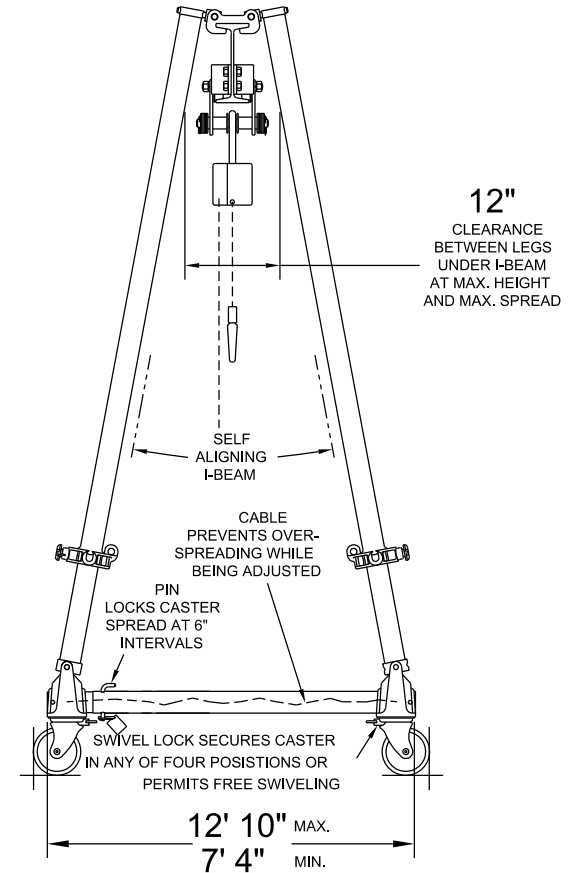


8"
Alu.



Round Tube Aluminum Frames and Aluminum I-Beam

All Dimensions are $\pm 1/2"$

MODEL No. **A2T18-A10**

© Copyright Wallace Cranes 2017. All rights reserved.



UNLESS OTHERWISE SPECIFIED DIMENSIONS ARE IN INCHES TOLERANCES ON				Wallace Cranes MALVERN, PENNSYLVANIA				
FRACTION		DECIMAL						
1/2"		0.05"		TITLE TRI-ADJUSTABLE GANTRY R.D.				
DRAWN BY J. Finkel		DATE 2-15-17		SCALE	WT.	DWG C SIZE	DRAWING No.	REV.
CONVERTED TO CAD DRAWING				NTS				
SYMBOL	DESCRIPTION	DATE	INT.	APPROVAL				
REVISIONS								