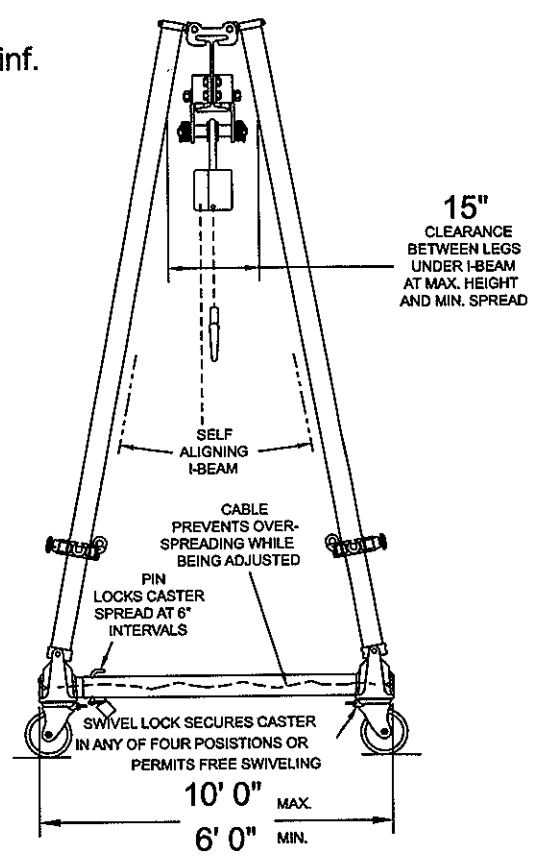


12" Reinf.
Alum.



Aluminum Round Tube Frames and I-Beam

All Dimensions are $\pm 1/2$ "

© Copyright Wallace Cranes 2013. All rights reserved.



MODEL No. **A2T15-A20**

UNLESS OTHERWISE SPECIFIED DIMENSIONS ARE IN INCHES TOLERANCES ON		FRACTION		DECIMAL		TITLE	
		1/16"		0.015"		Wallace Cranes MALVERN, PENNSYLVANIA	
DRAWN BY J. Finkol		DATE 10-8-13		TRI-ADJUSTABLE GANTRY R.D.			
CHECKER		APPROVAL		SCALE NTS	WT.	DRG C	DRAWING NO. REV.
SYMBOL		DESCRIPTION		DATE	BY		
REVISIONS							