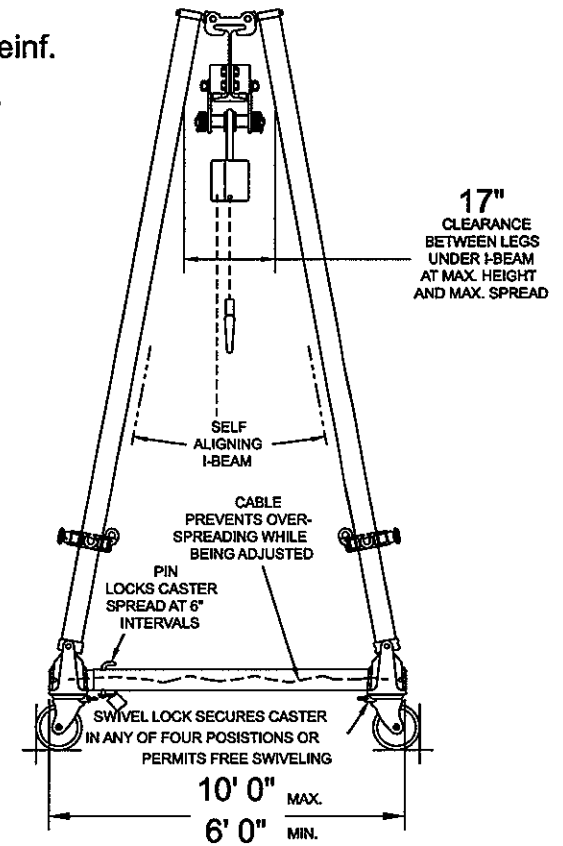


12" Reinf.
Alum.



NOTE: All Dimensions are $\pm 1/2$ "

Aluminum Frames and I-Beam

MODEL No. A2T12-A20

© Copyright Wallace Cranes 2013. All rights reserved.



UNLESS OTHERWISE SPECIFIED DIMENSIONS ARE IN INCHES TOLERANCES ON		FRACTION DECIMAL		TITLE	
DRAWN BY J. Finkel		DATE 1-4-13		TRI-ADJUSTABLE GANTRY R.D.	
CHECKER		APPROVAL		SCALE NTS	DWG C SIZE
SYMBOL		REVISIONS		DRAWING NO.	