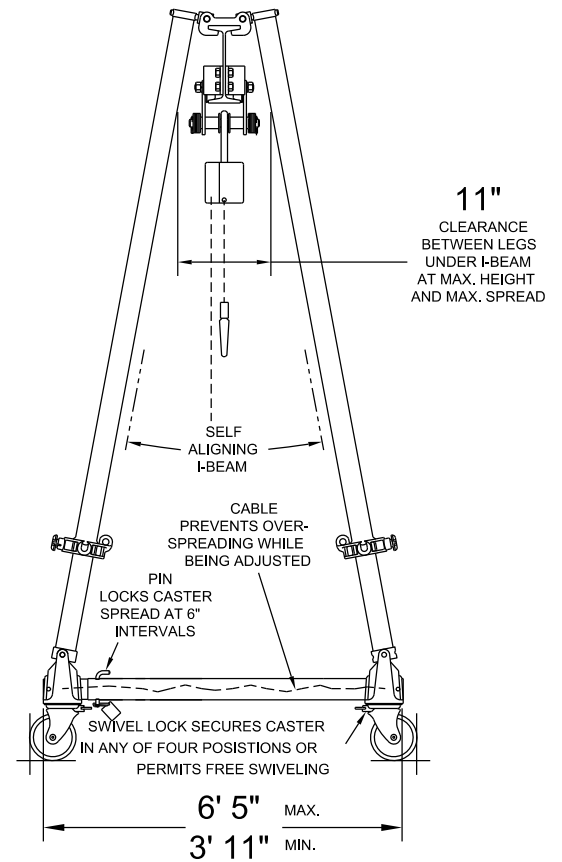


8"
Alu.



Round Tube Aluminum Frames and Aluminum I-Beam

All Dimensions are $\pm 1/2$ "

MODEL No. **A2T10-A12AC**

© Copyright Wallace Cranes 2017. All rights reserved.



UNLESS OTHERWISE SPECIFIED DIMENSIONS ARE IN INCHES TOLERANCES ON FRACTION DECIMAL $\pm 1/2$ " ± 0.5 "				Wallace Cranes MALVERN, PENNSYLVANIA			
DRAWN BY J. Finkel				DATE 3-21-17		TITLE TRI-ADJUSTABLE GANTRY R.D.	
CHECKER				APPROVAL		SCALE NTS	WT. C SIZE
REVISIONS				DATE	INT.	DRAWING No.	REV.