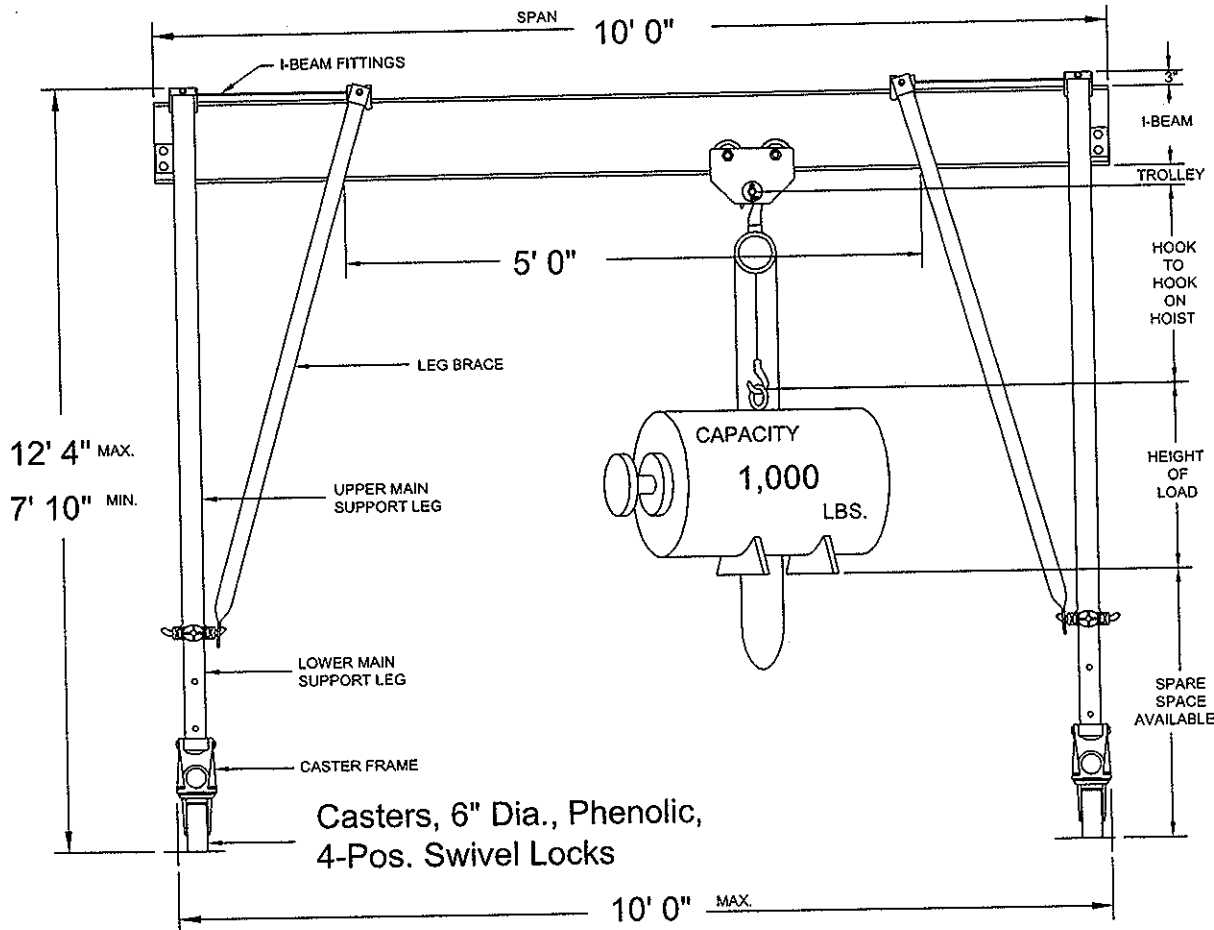
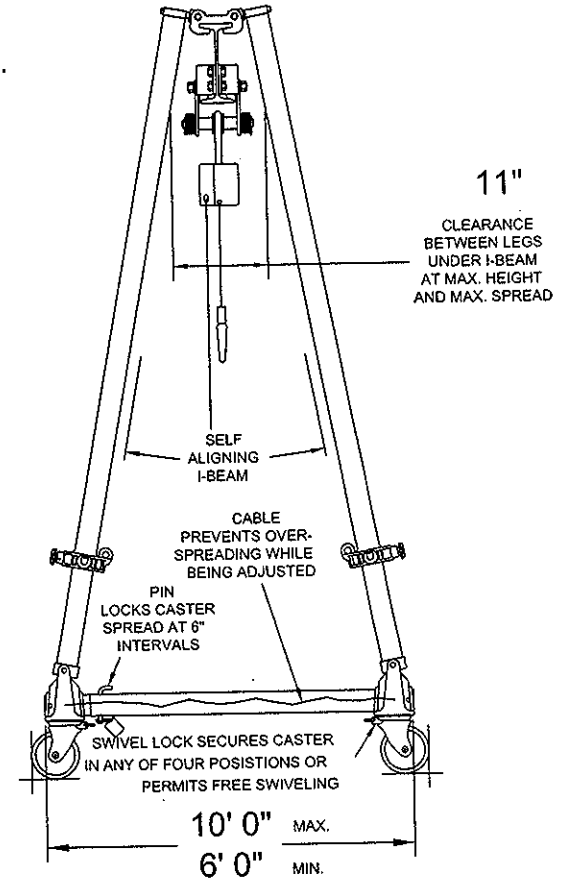


NOTE:
Hoist and trolley shown for illustration purposes.
Each item is sold separately.



6" Alu.



Aluminum Round Tube Frames and Aluminum I-Beam

NOTE:
All dimensions shown are $\pm 1/2"$

MODEL No. **A0T12-A10AC**

© Copyright Wallace Cranes 2016. All rights reserved.



UNLESS OTHERWISE SPECIFIED				DIMENSIONS ARE IN INCHES		TOLERANCES ON	
FRACTION	DECIMAL	INCHES	FEET	FRACTION	DECIMAL	INCHES	FEET
$\pm 1/2"$	$\pm 0.05"$						
DRAWN BY	DATE	6-16-16		TITLE			
CHECKER				TRI-ADJUSTABLE GANTRY R.D.			
APPROVAL				SCALE	NTS	W/T	DWG C SIZE
REV				DRAWING No.			