

TECHNICAL DATA SHEET

Load arrester – Suspended type BLOCMAT™ " S "

réf. : **T-2153 GB**
 rév. n° : **2**
 date : **06/08**
 page : **1/1**

FUNCTION :

This range with 500, 800 and 1000 kg W.L.L has been designed to be suspended to a structure through a rectangular fixing plate.

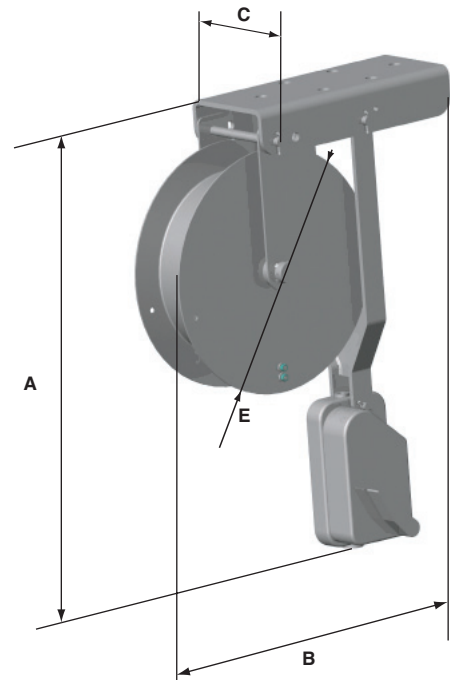
DESCRIPTION AND PRINCIPLE OF USE :

The " S " type is composed of :

- An automatic fall arrest device.
- A rope reeling drum.
- A reliable rectangular fixing plate.

A centrifugal device continuously monitors the speed at which the wire rope passes through the fall arrest device and automatically triggers the closing of the jaw on the wire rope as soon as the speed exceeds a given threshold. The brake jaw grips over a large contact area, causing no damage to the wire rope.

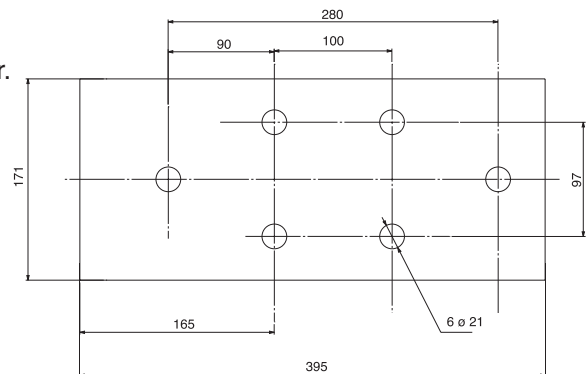
A drilled fixing plate allows the complete system to be anchored to support steel profiles or concrete plates. The fall arrest device and the reeling drum are fixed to this fixing plate.



- The structure where the BLOCMAT™ is anchored to shall be dimensioned to support a vertical force equal to 8 times the nominal load.
- Fall arrest speed 18 m/min.
- Use M20 bolts to install fixing bracket on structure

ADVANTAGES :

- Minimum free fall height (< 100 mm).
- Fall is stopped gradually.
- Fall arrest device can be reset by simple action to the lever.
- Operation can be tested at any time by closing the jaw manually through the emergency button.
- No need to recondition the device after fall arrest.



CHARACTERISTICS :

W.L.L. kg	∅ of wire rope mm	Wire rope length m	Weight kg	Dimension "A" mm	Dimension "B" mm	Dimension "C" mm	Dimension "E" mm
500	6,5	15	29	715	500	190	300
500	6,5	25	40	715	580	190	400
800	8,3	10	35	753	580	190	400
800	8,3	20	43	753	580	190	400
1000	9,5	8	35	753	580	190	400
1000	9,5	12	42	753	580	190	400

TECHNICAL DATA SHEET

Load arrestor – Floor mounted type BLOCMAT™ " S.I "

réf. : T-2154 GB
rév. n° : 02
date : 06/08
page : 1/1

FUNCTION :

The BLOCMAT™ " S.I " range has been designed to secure suspended loads. Three Working Load Limit are available 500/800 and 1000 kg. This range shall be fixed in a floor mounted position and used with an upper return sheave.

DESCRIPTION AND PRINCIPLE OF USE :

The " S.I " type is composed of :

- An automatic fall arrest device.
- A rope reeling drum.
- A reliable rectangular fixing plate.

A centrifugal device continuously monitors the speed at which the wire rope passes through the fall arrest device and automatically triggers the closing of the jaw on the wire rope as soon as the speed exceeds a given threshold. The brake jaw grips over a large contact area, causing no damage to the wire rope.

A drilled plate allows the complete system to be anchored to floor mounted support steel profiles or concrete plates. The fall arrest device and the reeling drum are mounted to this fixing plate.

- The structure where the BLOCMAT™ is anchored to shall be dimensioned to support a vertical force equal to 8 times the nominal load.
- Fall arrest speed 18 m/min.
- Use M20 bolts to install fixing bracket on structure

ADVANTAGES :

- Minimum free fall height (< 100 mm).
- Fall is stopped gradually.
- Operation can be tested at any time by closing the jaw manually through the emergency button.
- No need to recondition the device after fall arrest.

CHARACTERISTICS :

W.L.L. kg	ø of wire rope mm	Wire rope length m	Weight kg	Dimension"A" mm	Dimension"B" mm	Dimension"C" mm	Dimension"E" mm
500	6,5	15	29	715	550	190	300
500	6,5	25	39	715	640	190	400
800	8,3	10	31	753	550	190	300
800	8,3	15	36	753	640	190	400
800	8,3	25	45	753	640	190	400
1000	9,5	10	36	753	640	190	400
1000	9,5	25	47	753	640	190	400

