

### SINGLE LOAD CHAIN - 1/2 to 2 TON

A	B	C	D	E	F	H	I	J	R	TONS
12 1/8	8 1/2	8 3/4	4 1/4	4 1/4	3	1 3/8	6 7/16	1	7	1/2
12 1/8	8 1/2	8 3/4	4 1/4	4 1/4	3	1 3/8	6 7/16	1	7	1
15 7/8	10	11 1/2	5	5	3 1/4	1 3/4	7 5/8	1 1/8	8 1/2	1 1/2
15 7/8	10	11 1/2	5	5	3 1/4	1 3/4	7 5/8	1 1/8	8 1/2	2

### DOUBLE LOAD CHAIN - 3 & 4 TON

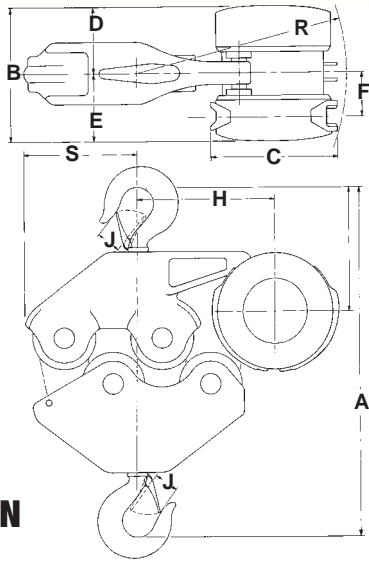
A	B	C	D	E	F	H	I	J	R	TONS
23 1/2	10	11 1/2	5	5	3 1/4	4 7/8	9 1/8	1 11/32	11 1/2	3
24 1/2	10	11 1/2	5	5	3 1/4	4 7/8	9 5/8	1 11/16	11 1/2	4

### TRIPLE LOAD CHAIN - 5 & 6 TON 4 STRANDS LOAD CHAIN - 8 TON

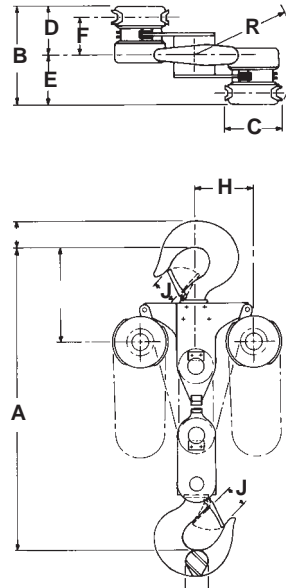
A	B	C	D	E	F	H	I	J	R	TONS
25 1/2	10	11 1/2	5	5	3 1/4	6 3/8	10 1/2	1 11/16	13 1/2	5
25 1/2	10	11 1/2	5	5	3 1/4	6 3/8	10 1/2	1 11/16	13 1/2	6
26 3/4	10	11 1/2	5	5	3 1/4	8 1/2	11	2 1/16	14	8

# ZEPHYR

## SPECIFICATIONS & DIMENSIONS



**10 TON**



**12 to 25 TON**

### 10 to 25 TON

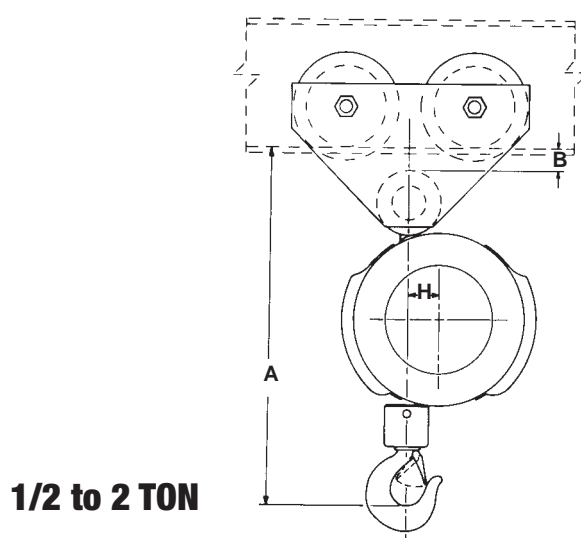
A	B	C	D	E	F	H	I	J	R	S	TONS
30 3/4	10	11 1/2	5	5	3 1/4	10 1/4	10 5/8	2 1/4	17	9 1/4	10
49 5/8	14 5/8	11 1/2	7 5/16	7 5/16	5 9/16	11 1/8	13 9/16	3	18 1/2	-	12
53 1/2	16 3/8	11 1/2	8 3/16	8 3/16	6 7/16	11 1/8	15 1/8	3 5/8	18 3/4	-	16
56 3/8	18 1/4	11 1/2	9 1/8	9 1/8	7 3/8	11 1/8	15 1/8	3 5/8	19 3/16	-	20
56 3/8	20 1/8	11 1/2	10 1/16	10 1/16	8 5/16	11 1/8	15 1/8	3 5/8	19 11/16	-	25

### SPECIFICATIONS

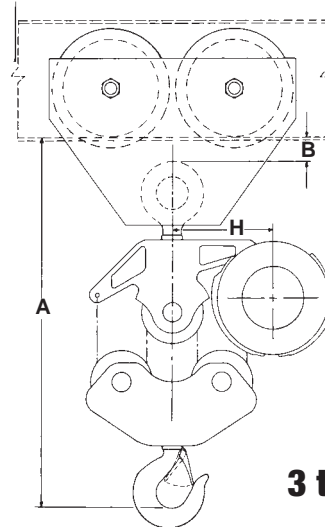
Catalog Number	Capacity Tons	Standard Lift	Minimum Distance Between Hooks in Inches	Chain Pull in Pounds to Lift Full load	Feet of Chain Overhauled to Lift One Foot	Strands of Chain		Length of Chain		Weight in Pounds	
						Load	Hand	Load	Hand	Net	Gross
130 1/2	1/2	8'	12 1/8	31	33	1	2	9' - 0"	14' - 0"	44	46
130 - 1	1	8'	12 1/8	62	33	1	2	9' - 0"	14' - 0"	46	48
130 - 1 1/2	1 1/2	8'	15 7/8	57	58	1	2	9' - 4"	14' - 6"	85	88
130 - 2	2	8'	15 7/8	76	58	1	2	9' - 4"	14' - 6"	85	88
130 - 3	3	8'	23 1/2	60	116	2	2	18' - 6"	15' - 6"	122	140
130 - 4	4	8'	24 1/2	79	116	2	2	18' - 6"	15' - 6"	130	144
130 - 5	5	8'	25 1/2	65	174	3	2	27' - 6"	15' - 6"	184	208
130 - 6	6	8'	25 1/2	78	174	3	2	27' - 6"	15' - 6"	184	208
130 - 8	8	8'	26 3/4	81	232	4	2	36' - 0"	16' - 0"	245	283
130 - 10	10	8'	30 3/4	84	290	5	2	45' - 0"	16' - 6"	310	355
130 - 12	12	8'	49 5/8	*782	*174	6	4	67' - 0"	(2)19' - 0"	660	720
130 - 16	16	8'	53 1/2	*81(2)	*232	8	4	84' - 0"	(2)19' - 0"	825	900
130 - 20	20	8'	56 3/8	*85(2)	*290	10	4	101' - 0"	(2)20' - 0"	1050	1130
130 - 25	25	8'	56 3/8	*93(2)	*348	12	4	121' - 0"	(2)20' - 0"	1070	1160

\* On each hand chain. 12 Ton & up have two hand chains.

### CLEVIS CONNECTED HOIST WITH TROLLEY - plain and geared trolley



**1/2 to 2 TON**



**3 to 10 TON**

Capacity in Tons	A	B	C
1/2	13 5/8	3/4	1 3/8
1	14 3/8	1 3/8	1 3/8
1 1/2	18 5/16	1 7/16	1 3/4
2	18 5/16	1 7/16	1 3/4
3	26 1/4	1 1/2	4 7/8
4	27 1/8	1 3/8	4 7/8
5	28 5/8	1 7/8	6 3/8
6	28 5/8	1 7/8	6 3/8
8	30 7/16	1 15/16	8 1/2
10	34 13/16	2 9/32	10 1/4

### TROLLEY MUST BE ORDERED SEPARATELY

Clevis Connected hoist and trolley may be specified where headroom prohibits standard trolley suspension, or to prevent casual removal of hoist from trolley. Offers headroom advantage, retains rock-and-swivel flexibility of standard trolley suspension.

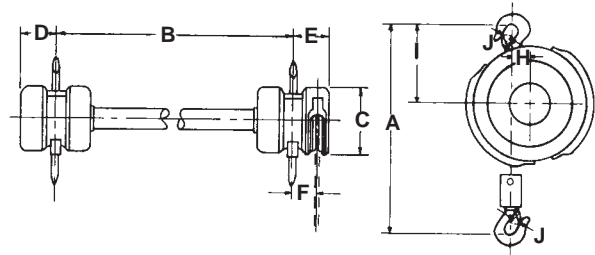
Any Zephyr hoist may be converted to Clevis Connected by removing suspension hook, replacing with clevis, and removing suspension strap of trolley. Conversion is completed by hanging clevis on trolley equalizing pin, and re-assembling.

Catalog Number	Capacity in Tons	Standard Lift	Minimum Headroom with Trolley	Adjustable for Standard I-Beam	Chain Pull to Lift Load One Foot	Chain Overhaul to lift load One Foot	Net Wt. Lbs. with Trolley	
							Plain	Generated
135 - 1/2	1/2	8'	13 7/16"	4 to 12"	31 lbs.	33 ft.	80	-
135 - 1	1	8'	14 3/16"	5 to 12"	62 lbs.	33 ft.	96	162
135 - 1 1/2	1 1/2	8'	18 1/16"	6 to 18"	57 lbs.	58 ft.	167	196
135 - 2	2	8'	18 1/16"	6 to 18"	76 lbs.	58 ft.	167	196
135 - 3	3	8'	26"	8 to 18"	60 lbs.	116 ft.	284	328
135 - 4	4	8'	26 7/8"	8 to 24"	79 lbs.	116 ft.	323	384
135 - 5	5	8'	28 5/16"	10 to 24"	65 lbs.	174 ft.	480	555
135 - 6	6	8'	28 5/16"	10 to 24"	78 lbs.	174 ft.	480	605
135 - 8	8	8'	30 1/8"	10 to 24"	81 lbs.	232 ft.	560	646
135 - 10	10	8'	34 "	10 to 24"	84 lbs.	290 ft.	785	860

### ZEPHYR TWIN HOOK HOISTS

Available with hooks up to 16 feet between centers and extra length lifts as needed. The Twin Hook Hoist drives two separate load chains simultaneously from a single hand chain. Long and bulky loads can be more easily and evenly lifted with the Twin Hook Hoist. It handles such unwieldy pieces as tubes, frames, towers, drying and storage racks, auto and truck bodies, vats and tanks. Suspension hooks can be hung from trolleys or fixed positions.

### STANDARD EXT. HOOK CENTER 3 FEET



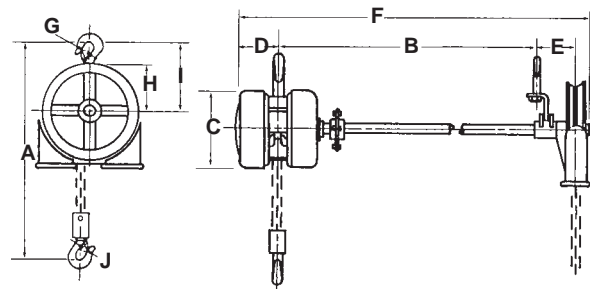
Catalog Number	Capacity	STD. Lift Feet	H.C. Overhauled Feet	H.C. Pull Lbs.	Net Wt.
133 - 1/2	1/2	8	33	35	106
133 - 1	1	8	33	70	162
133 - 1 1/2	1 1/2	8	58	64	287
133 - 2	2	8	58	83	412
133 - 3	3	8	116	66	535
133 - 4	4	8	116	86	592
133 - 5	5	8	174	71	715
133 - 6	6	8	174	86	715

A	B	C	D	E	F	H	I	J	TONS
12 1/8	36 Std.	7 1/4	4 1/4	4 1/4	3	1 3/8	5 7/8	1	1/2
12 1/4	36 Std.	7 1/4	4 1/4	4 1/4	3	1 3/8	5 7/8	1	1
15 7/8	36 Std.	9 1/4	5	5	3 1/4	1 3/4	8 1/8	1 1/8	1 1/2
15 7/8	36 Std.	9 3/4	5	5	3 1/4	1 3/4	8 1/8	1 1/8	2
23 1/2	36 Std.	9 3/4	5	5	3 1/4	4 7/8	9 1/8	1 11/32	3
24 1/2	36 Std.	9 3/4	5	5	3 1/4	4 7/8	9 5/8	1 11/16	4
25 1/2	36 Std.	9 3/4	5	5	3 1/4	6 3/8	11 1/2	1 11/16	5
25 1/2	36 Std.	9 3/4	5	5	3 1/4	6 3/8	11 1/2	1 11/16	6

Center baring required for shafts over 10 ft. Capacities beyond 6 Ton contact factory

### ZEPHYR EXTENDED HANDWHEEL HOISTS

The Extended Hand Wheel Hoist allows the operator to stand at a distance from the load. Handling materials from a distance, or work whose surface must be protected from scratching by the hand chain, or large flat or bulky loads, are some of the practical applications. Suspension may be from fixed supports or on trolleys. Larger capacities: prices and information on request.



### STANDARD HANDWHEEL EXT. 3 FEET

Catalog Number	Capacity	STD. Lift	Max. Ext.	Net Wt.
134 - 1/2	1/2	8	10'	78
134 - 1	1	8	10'	84
134 - 1 1/2	1 1/2	8	10'	115
134 - 2	2	8	10'	125

A	B	C	D	E	F	G	H	J	I	TONS
12 1/8	29 7/16	7 1/4	4 1/4	6 9/16	41 7/16	1	4 21/32	6 7/16	1	1/2
12 1/4	29 7/16	7 1/4	4 1/4	6 9/16	41 7/16	1	4 21/32	6 7/16	1	1
15 7/8	29 1/2	9 3/4	5	6 1/2	42 1/4	1	5 21/32	7 5/8	1 1/8	1 1/2
15 7/8	29 1/2	9 3/4	5	6 1/2	42 1/4	1	5 21/32	7 5/8	1 1/8	2

Capacities beyond 2 Ton contact factory