



Model JPA Locking Type

The **Model JPA** is a vertical lifting clamp capable of turning a single plate or member from horizontal to vertical to horizontal through a 180 degree arc. Incorporates a push button auxiliary lock. Model JPA incorporates a pivoting shackle that permits side loading of the lifting shackle at 100 percent of rated capacity from vertical to 30 degrees, 75 percent of rated capacity between 30 and 45 degrees and 50 percent of rated capacity between 45 and 90 degrees.

MODEL JPA EXPLODED VIEW

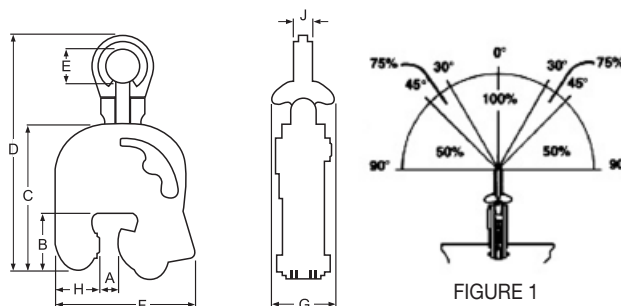
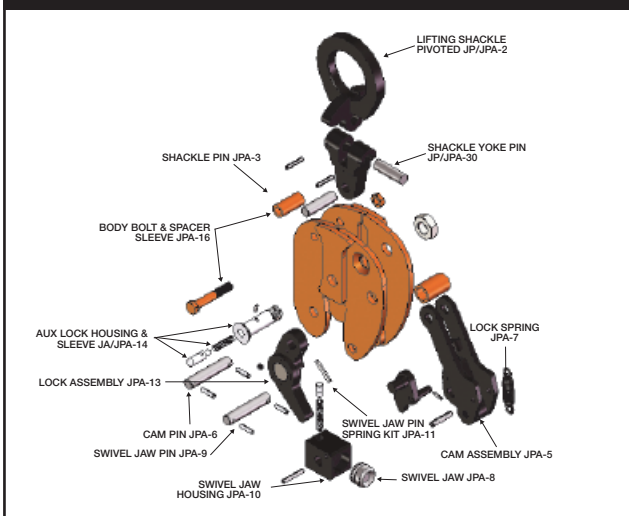


FIGURE 1

SPECIFICATIONS (in inches)

Rated Capacity Tons	Plate Thickness A	B	C	MAX. D	E	MAX. F	G	H	J	Weight (in pounds)
1/2	0-3/8	2 3/4	6 1/2	12	2 3/8	5 5/8	3 1/4	2 1/4	1/2	12
	1/2-1	2 3/4	6 1/2	12	2 3/8	6	3 1/4	2 1/4	1/2	
	3/4-1 1/4	2 3/4	6 1/2	12	2 3/8	6 1/4	3 1/4	2 1/4	1/2	
	1 1/4-1 3/4	2 3/4	6 1/2	12	2 3/8	6 3/4	3 1/4	2 1/4	1/2	
1	0-3/4	3 3/8	7 3/4	13 3/4	2 3/8	7	3 1/2	2 5/8	5/8	20
	1/2-1	3 3/8	7 3/4	13 3/4	2 3/8	7 1/4	3 1/2	2 5/8	5/8	
	3/4-1 1/4	3 3/8	7 3/4	13 3/4	2 3/8	8	3 1/2	2 5/8	5/8	
	1-1 1/2	3 3/8	7 3/4	13 3/4	2 3/8	8 1/4	3 1/2	2 5/8	5/8	
2	1 1/2-2	3 3/8	7 3/4	13 3/4	2 3/8	8 3/4	3 1/2	2 5/8	5/8	40
	0-1	3 3/8	9 1/2	17 3/8	3 1/2	8 3/4	4 1/2	3	3/4	
	3/4-1 1/2	3 3/8	9 1/2	17 3/8	3 1/2	9 1/4	4 1/2	3	3/4	
	1 1/4-2	3 3/8	9 1/2	17 3/8	3 1/2	9 3/4	4 1/2	3	3/4	
4	2-2 1/2	3 3/8	9 1/2	17 3/8	3 1/2	10 1/2	4 1/2	3	3/4	50
	3/16-1 1/4	4 3/4	11 1/2	20 1/8	3 1/2	9 1/4	4 1/2	3 3/4	1 1/2	
	1-2	4 3/4	11 1/2	20 1/8	3 1/2	10	4 1/2	3 3/4	1 1/2	
	2-3	4 3/4	11 1/2	20 1/8	3 1/2	11	4 1/2	3 3/4	1 1/2	
6	3-4	4 3/4	11 1/2	20 1/8	3 1/2	12	4 1/2	3 3/4	1 1/2	72
	1/4-1 3/8	4 7/8	12 3/8	20 7/8	3 1/2	10 3/4	4 3/4	3 3/4	1 3/4	
	1-2 1/8	4 7/8	12 3/8	20 7/8	3 1/2	11 1/2	4 3/4	3 3/4	1 3/4	
	2-3 1/8	4 7/8	12 3/8	20 7/8	3 1/2	12 1/2	4 3/4	3 3/4	1 3/4	
8	3-4 1/8	4 7/8	12 3/8	20 7/8	3 1/2	13 1/2	4 3/4	3 3/4	1 3/4	93
	3/8-1 1/2	5 3/8	12 3/4	22 3/8	3 3/4	12 3/4	5 1/4	4 1/4	2	
	1-2 1/8	5 3/8	12 3/4	22 3/8	3 3/4	13	5 1/4	4 1/4	2	
	2-3 1/8	5 3/8	12 3/4	22 3/8	3 3/4	14 3/8	5 1/4	4 1/4	2	
12	3-4 1/8	5 3/8	12 3/4	22 3/8	3 3/4	15 5/8	5 1/4	4 1/4	2	203
	1/2-2 1/2	7 1/4	17 3/8	28 1/8	3 3/8	15 15/16	7 1/16	5 5/8	2	
	2-4	7 1/4	17 3/8	28 1/8	3 3/8	17 7/16	7 1/16	5 5/8	2	
	4-6	7 1/4	17 3/8	28 1/8	3 3/8	19 1/16	7 1/16	5 5/8	2	
16	1/2-2 1/2	8	19 13/16	32 5/16	4 1/2	19 13/16	8 11/16	6 1/4	2 1/4	350
20	1/2-3	8 5/8	21 13/16	35 7/8	5	21	11 1/2	6 7/8	2 3/4	456
25	1/2-2 1/2	8 5/8	23 3/8	35 7/8	5	19 1/16	9 7/8	6 3/4	3	483
	3-5	8 5/8	23 3/8	35 7/8	5	21 9/16	9 7/8	6 3/4	3	495
	4-6	8 5/8	23 3/8	35 7/8	5	22 9/16	9 7/8	6 3/4	3	502
30	1/2-3	9 9/16	24 1/4	39 7/8	5	22 13/16	14 9/16	7 5/8	3	625
50	3-5	10 7/8	30 7/8	46 7/16	5	29 9/16	11 1/8	9 1/4	3 1/2	1306

Consult factory for possible larger capacities. SPECIFICATIONS ARE SUBJECT TO CHANGE WITHOUT NOTICE

VERTICAL + 180 + SIDE PULL