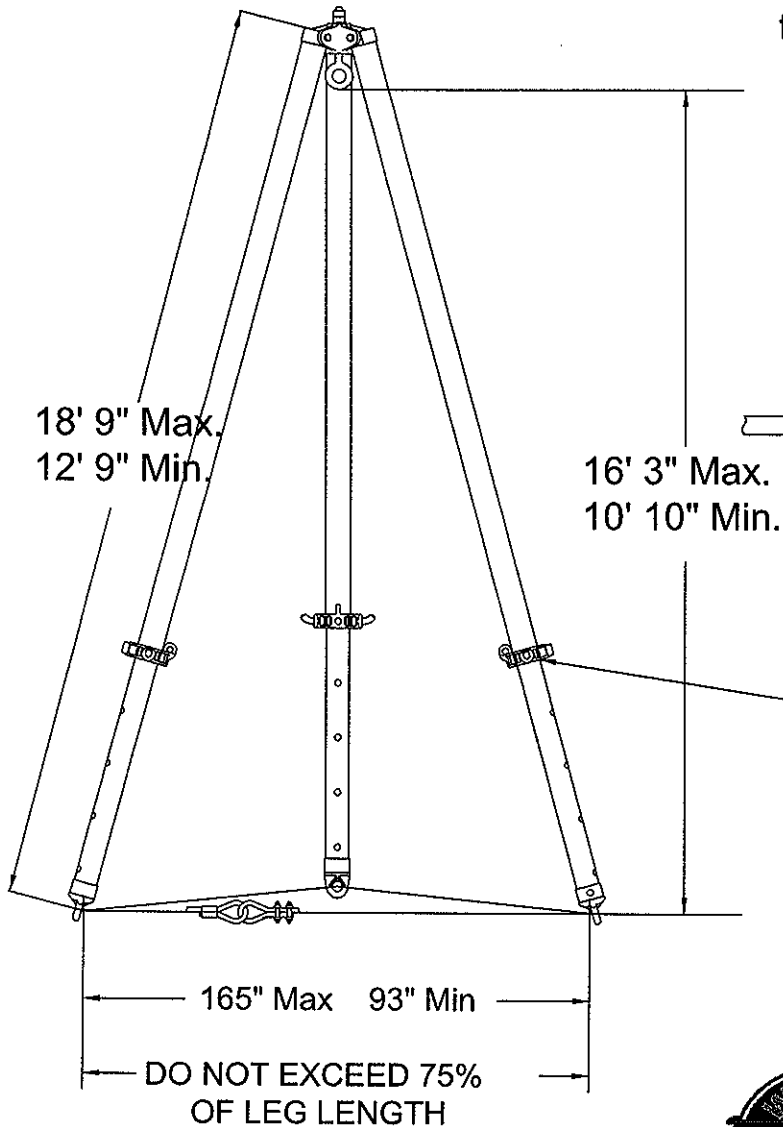


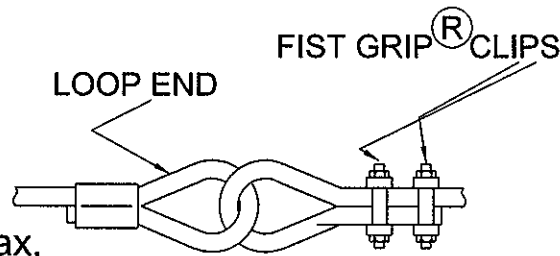
Detail of head.
Nut is shown on top,
Hemispherical washer
is below the nut,
curved side down.

NOTE: The Lashing Kit provided with the Tripod must be used.

The Lashing Cable is installed through the holes in the Tripod foot or rubber base pad. The free end is then put through the loop end of the cable and terminated as shown using the two Fist Grip Clips to complete the assembly. Torque bolts to 30 ft/lbs.



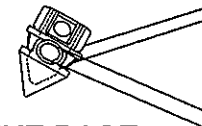
LASHING CABLE
ASSEMBLY



Leg Adjustments
at 6" Intervals
Thirteen (13) Holes

Model Number R3-4121
Capacity = 2 Ton
Construction = Steel

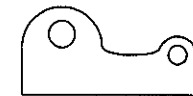
OPTIONAL ACCESSORIES



SPIKE BASE
KIT NO 676



MUD BASE PLATE
KIT NO. 1097



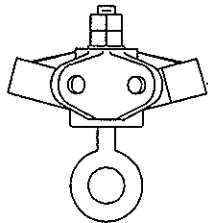
RUBBER BASE PAD
KIT NO 675

© Copyright Wallace Cranes 2015. All rights reserved.



NEXT ASS'Y	SYM	DESCRIPTION	DATE	INT.
REVISIONS				

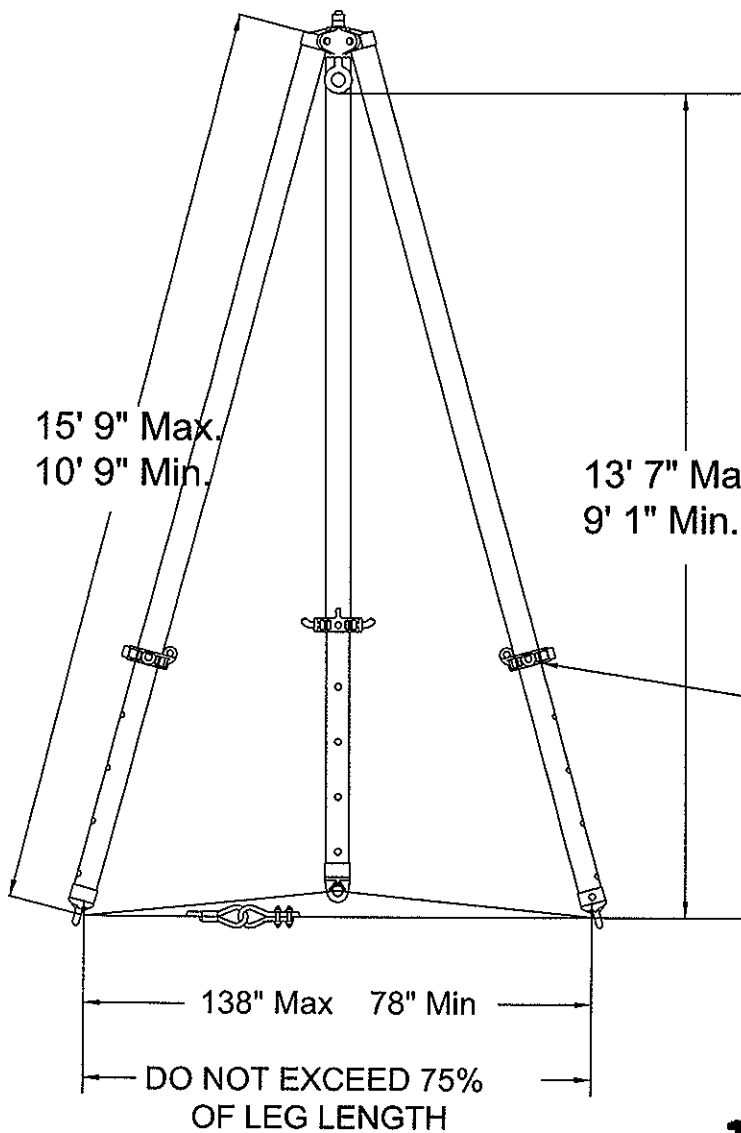
UNLESS OTHERWISE SPECIFIED: DIMENSIONS ARE IN INCHES TOLERANCES ON		<i>Wallace Cranes</i> MALVERN, PENNSYLVANIA	
FRACTION ±1/2"	DECIMAL ±0.2"	TITLE TRIPOD INSTRUCTIONS	
DRAWN BY jjf	DATE 3-26-15	SCALE N/T'S	DWG NO. R3-4121
CHECKED	APPROVAL	WT.	REV.



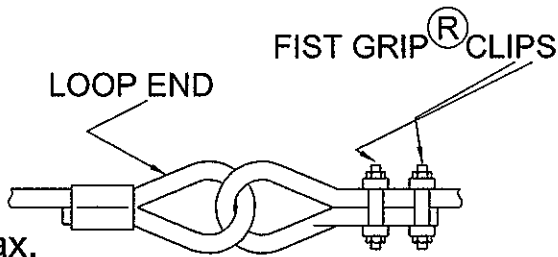
Detail of head.
Nut is shown on top,
Hemispherical washer
is below the nut,
curved side down.

NOTE: The Lashing Kit provided with the Tripod must be used.

The Lashing Cable is installed through the holes in the Tripod foot or rubber base pad. The free end is then put through the loop end of the cable and terminated as shown using the two Fist Grip Clips to complete the assembly. Torque bolts to 30 ft/lbs.



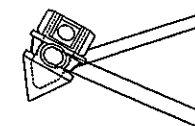
**LASHING CABLE
ASSEMBLY**



Leg Adjustments
at 6" Intervals
Eleven (11) Holes

Model Number R3-6101
Capacity = 3 Ton
Construction = Steel

OPTIONAL ACCESSORIES



**SPIKE BASE
KIT NO 676**



**MUD BASE PLATE
KIT NO. 1097**



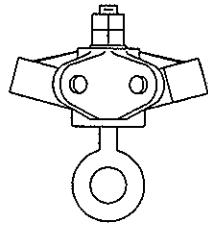
**RUBBER BASE PAD
KIT NO 675**

© Copyright Wallace Cranes 2015. All rights reserved.



NEXT ASS'Y	SYMBOL	DESCRIPTION	DATE	ENT.
		REVISIONS		

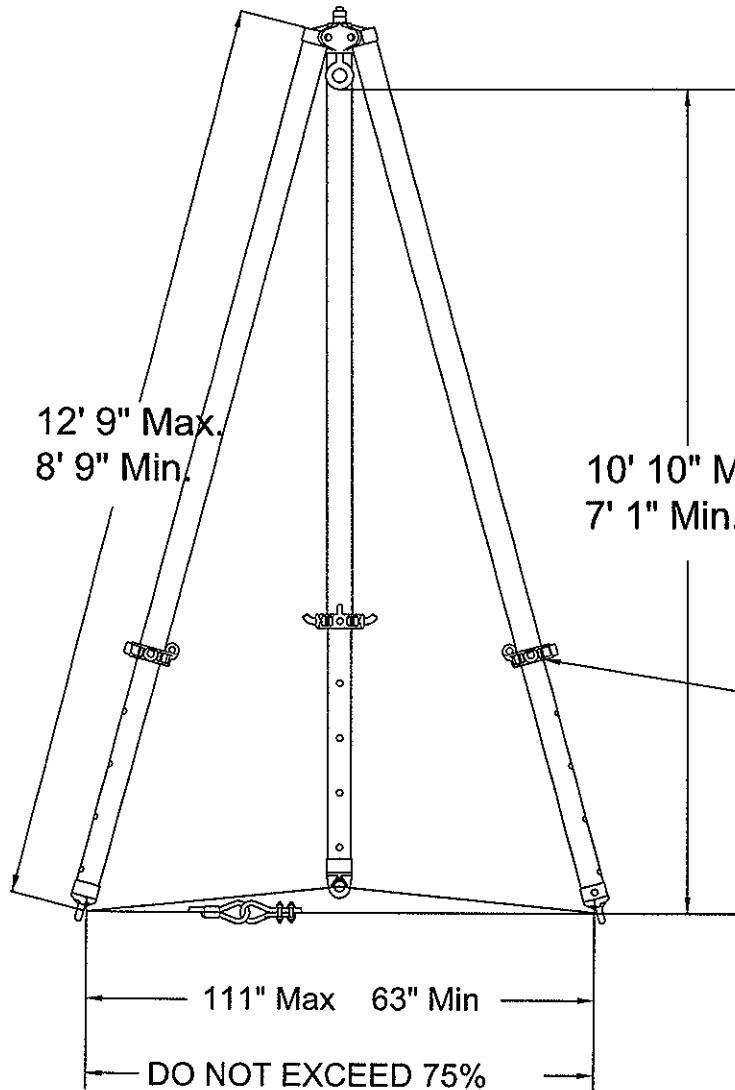
UNLESS OTHERWISE SPECIFIED		Wallace Cranes	
DIMENSIONS ARE IN INCHES TOLERANCES ON		MALVERN, PENNSYLVANIA	
FRACTION 1/32"	DECIMAL ±0.0"	TITLE	
DRAWN BY JJE DATE 3-26-15		TRIPOD INSTRUCTIONS	
CHECKER	APPROVAL	SCALE	WT.
		NTS	
		DWG C SIZE	DRAWING No. R3-6101
			REV.



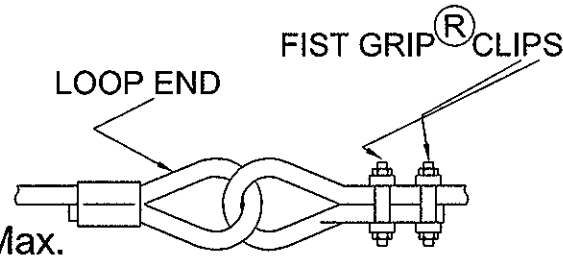
Detail of head.
Nut is shown on top,
Hemispherical washer
is below the nut,
curved side down.

NOTE: The Lashing Kit provided with the Tripod must be used.

The Lashing Cable is installed through the holes in the Tripod foot or rubber base pad. The free end is then put through the loop end of the cable and terminated as shown using the two Fist Grip Clips to complete the assembly. Torque bolts to 30 ft/lbs.



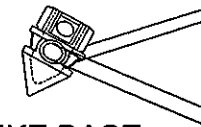
LASHING CABLE
ASSEMBLY



Leg Adjustments
at 6" Intervals
Nine (9) Holes

Model Number R3-1081
Capacity = 5 Ton
Construction = Steel

OPTIONAL ACCESSORIES



SPIKE BASE
KIT NO 676



MUD BASE PLATE
KIT NO. 1097



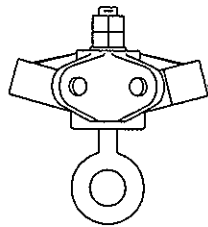
RUBBER BASE PAD
KIT NO 675

© Copyright Wallace Cranes 2015. All rights reserved.



NEXT ASS'Y	SYM	DESCRIPTION	DATE	ENT.
REVISIONS				

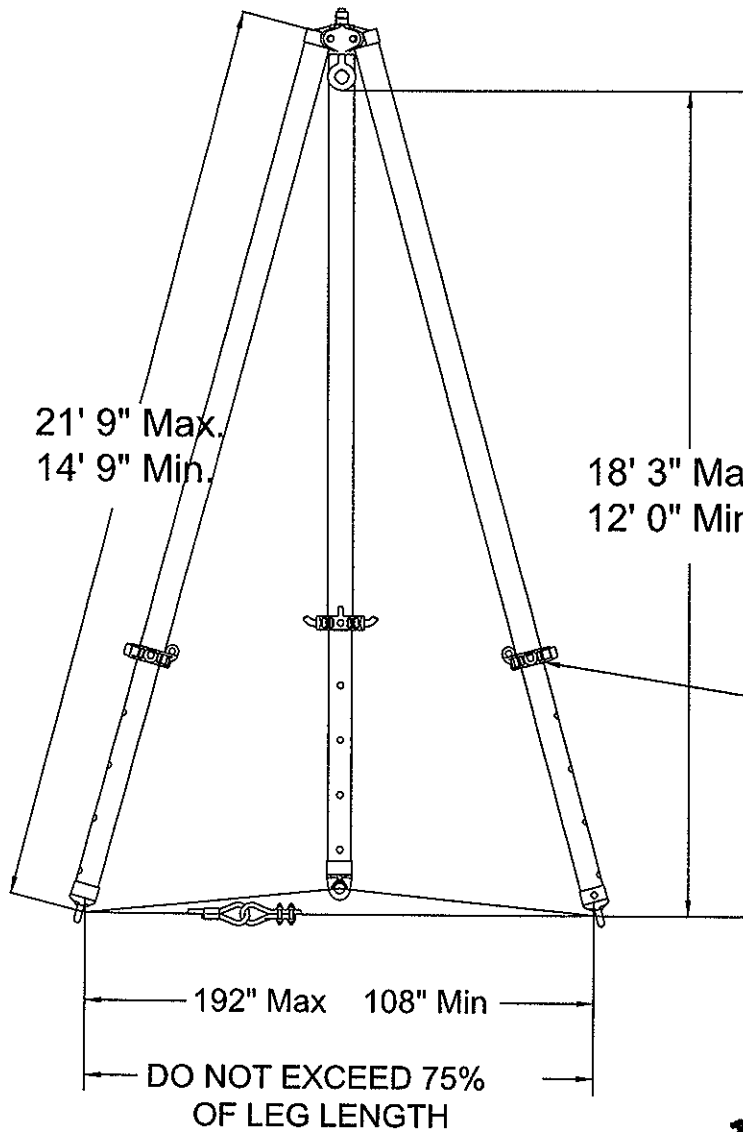
UNLESS OTHERWISE SPECIFIED DIMENSIONS ARE IN INCHES TOLERANCES ON		<i>Wallace Cranes</i> MALVERN, PENNSYLVANIA	
FRACTION 3/32"	DECIMAL 0.05"	TITLE TRIPOD INSTRUCTIONS	
DRAWN BY Jif	DATE 3-26-15	SCALE NTS	DWG. NO. R3-1081
CHECKER	APPROVAL	WT.	REV.



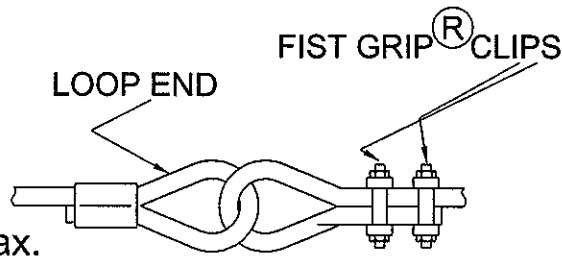
Detail of head.
Nut is shown on top,
Hemispherical washer
is below the nut,
curved side down.

NOTE: The Lashing Kit provided with the Tripod must be used.

The Lashing Cable is installed through the holes in the Tripod foot or rubber base pad. The free end is then put through the loop end of the cable and terminated as shown using the two Fist Grip Clips to complete the assembly. Torque bolts to 30 ft/lbs.



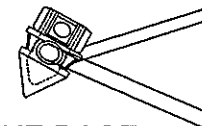
LASHING CABLE
ASSEMBLY



Leg Adjustments
at 6" Intervals
Fifteen (15) Holes

Model Number H3-12141
Capacity = 6 Ton
Construction = Steel

OPTIONAL ACCESSORIES



SPIKE BASE
KIT NO 1514



MUD BASE PLATE
KIT NO. 1097

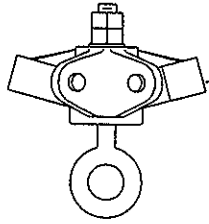


RUBBER BASE PAD
KIT NO 675

© Copyright Wallace Cranes 2015. All rights reserved.



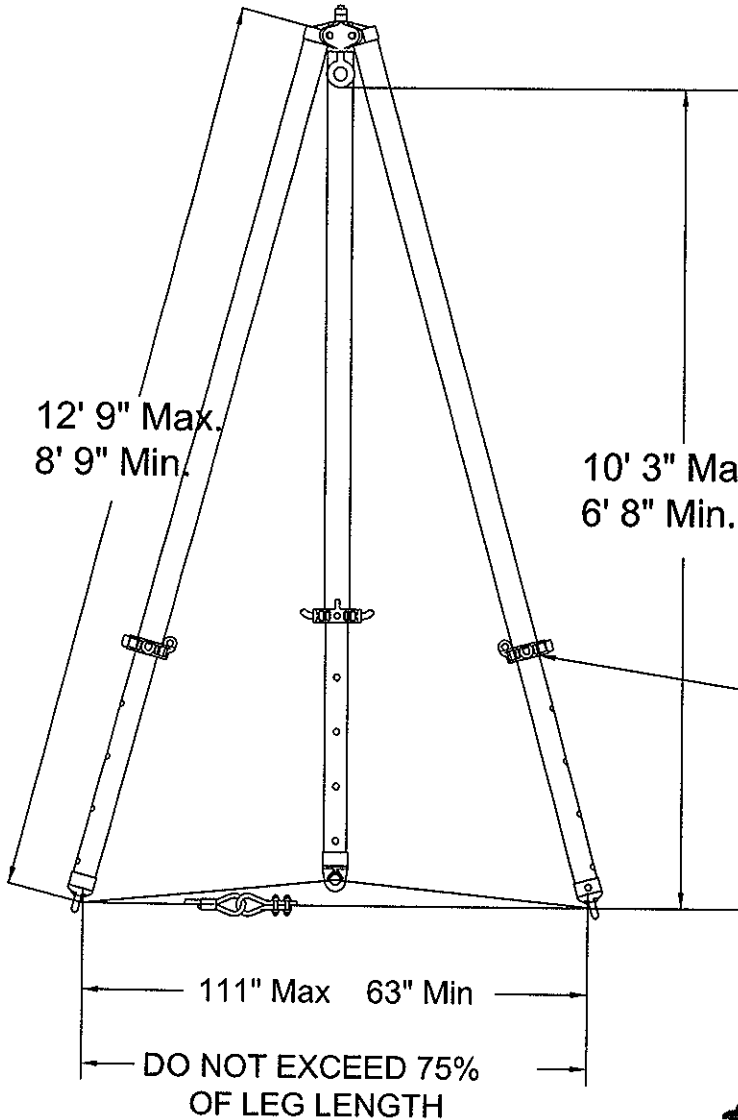
UNLESS OTHERWISE SPECIFIED DIMENSIONS ARE IN INCHES TOLERANCES ON		Wallace Cranes MALVERN, PENNSYLVANIA	
FRACTION 1/32"	DECIMAL 0.05"	TITLE TRIPOD INSTRUCTIONS	
DRAWN BY jjf	DATE 3-26-15	SCALE NTS	DWG. NO. C
CHECKER	APPROVAL	WT.	DRAWING NO. H3-12141
NEXT ASS'Y	REVISIONS	REV.	



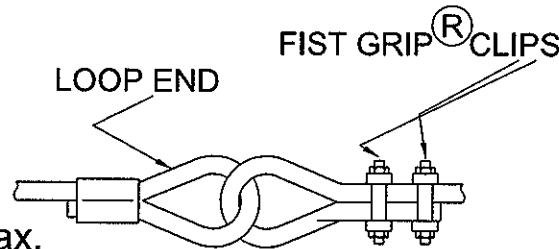
Detail of head.
Nut is shown on top,
Hemispherical washer
is below the nut,
curved side down.

NOTE: The Lashing Kit provided with the Tripod must be used.

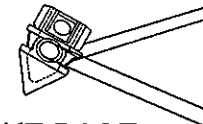
The Lashing Cable is installed through the holes in the Tripod foot or rubber base pad. The free end is then put through the loop end of the cable and terminated as shown using the two Fist Grip Clips to complete the assembly. Torque bolts to 30 ft/lbs.



LASHING CABLE
ASSEMBLY



OPTIONAL ACCESSORIES



SPIKE BASE
KIT NO 1514

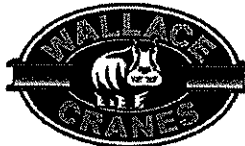


MUD BASE PLATE
KIT NO. 1097



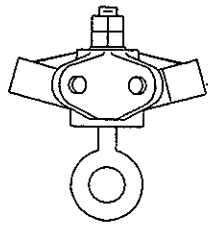
RUBBER BASE PAD
KIT NO 675

Model Number H3-1481
Capacity = 7 Ton
Construction = Steel



© Copyright Wallace Cranes 2015. All rights reserved.

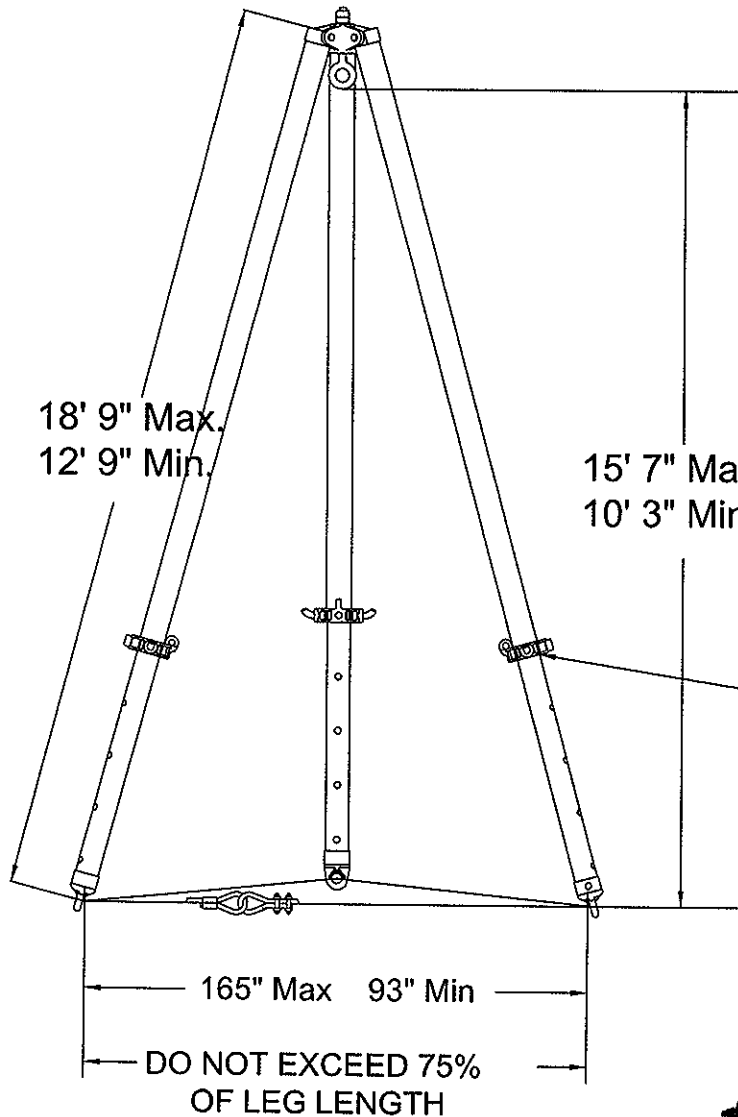
UNLESS OTHERWISE SPECIFIED DIMENSIONS ARE IN INCHES TOLERANCES ON		FRACTION DECIMAL ±1/2" ±0.5"		DRAWN BY JH DATE 3-26-15		GREGGER		APPROVAL		Wallace Cranes MALVERN, PENNSYLVANIA TITLE TRIPOD INSTRUCTIONS SCALE NTS WT. DWG. C DRAWING No. H3-1481 REV.	
NEXT ASS'Y		SYMBOL	DESCRIPTION	DATE	INT.	REVISIONS		APPROVAL			



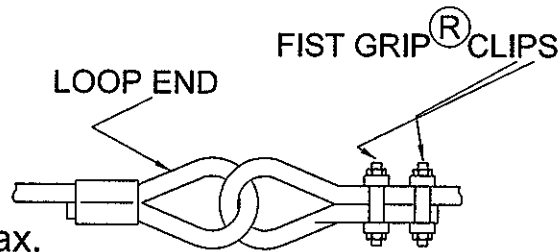
Detail of head.
Nut is shown on top,
Hemispherical washer
is below the nut,
curved side down.

NOTE: The Lashing Kit provided with the Tripod must be used.

The Lashing Cable is installed through the holes in the Tripod foot or rubber base pad. The free end is then put through the loop end of the cable and terminated as shown using the two Fist Grip Clips to complete the assembly. Torque bolts to 30 ft/lbs.



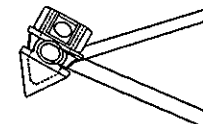
LASHING CABLE
ASSEMBLY



Leg Adjustments
at 6" Intervals
Thirteen (13) Holes

Model Number H3-14121
Capacity = 7 Ton
Construction = Steel

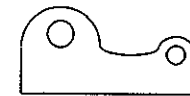
OPTIONAL ACCESSORIES



SPIKE BASE
KIT NO 1514



MUD BASE PLATE
KIT NO. 1097

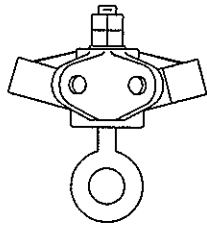


RUBBER BASE PAD
KIT NO 675

© Copyright Wallace Cranes 2015. All rights reserved.



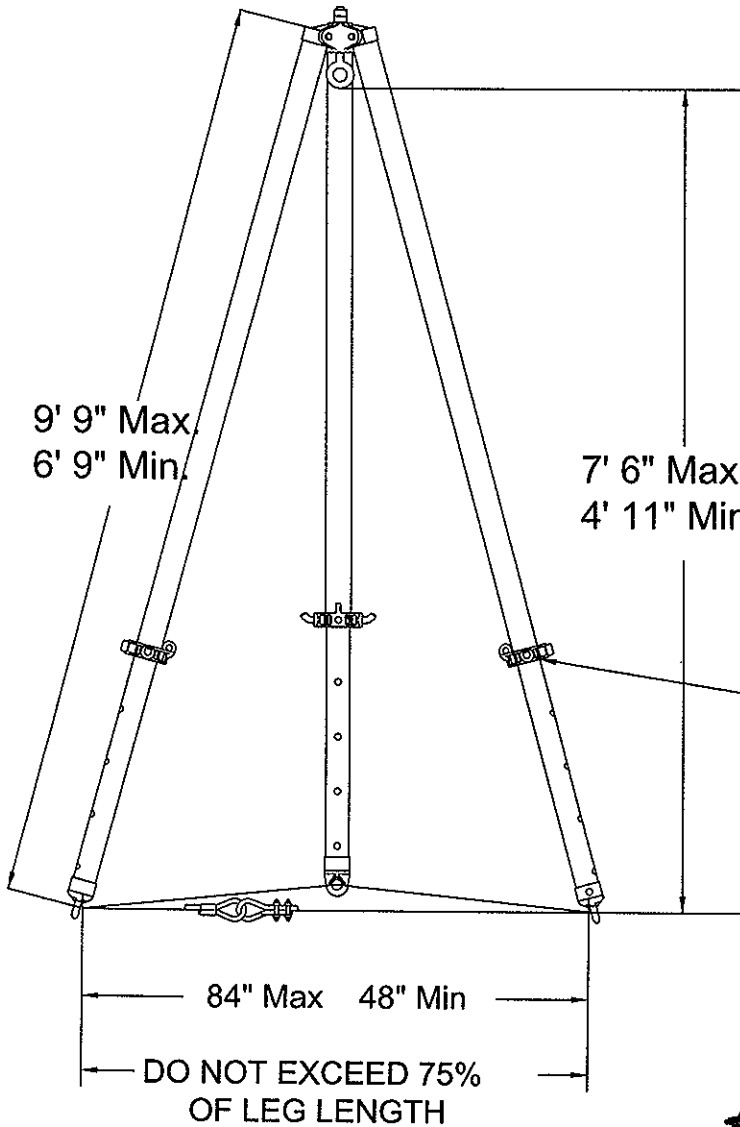
UNLESS OTHERWISE SPECIFIED DIMENSIONS ARE IN INCHES TOLERANCES ON		Wallace Cranes MALVERN, PENNSYLVANIA	
FRACTION ±1/2"	DECIMAL ±0.0"	TITLE TRIPOD INSTRUCTIONS	
DRAWN BY JHE	DATE 3-28-15	SCALE NTS	DWG C
APPROVAL	REVISIONS	DRAWING No. H3-14121	REV.
NEXT ASSY			



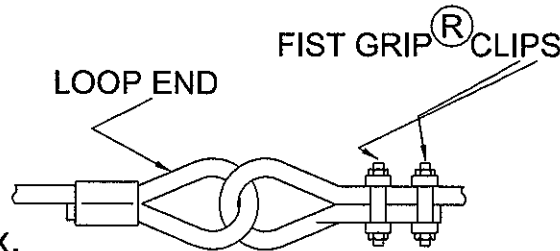
Detail of head.
Nut is shown on top,
Hemispherical washer
is below the nut,
curved side down.

NOTE: The Lashing Kit provided with the Tripod must be used.

The Lashing Cable is installed through the holes in the Tripod foot or rubber base pad. The free end is then put through the loop end of the cable and terminated as shown using the two Fist Grip Clips to complete the assembly. Torque bolts to 30 ft/lbs.

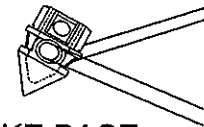


LASHING CABLE
ASSEMBLY



Leg Adjustments
at 6" Intervals
Seven (7) Holes

OPTIONAL ACCESSORIES



SPIKE BASE
KIT NO 1514



MUD BASE PLATE
KIT NO. 1097



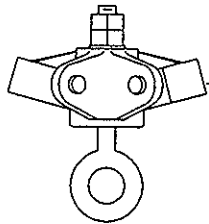
RUBBER BASE PAD
KIT NO 675

Model Number H3-1661
Capacity = 8 Ton
Construction = Steel

© Copyright Wallace Cranes 2015. All rights reserved.



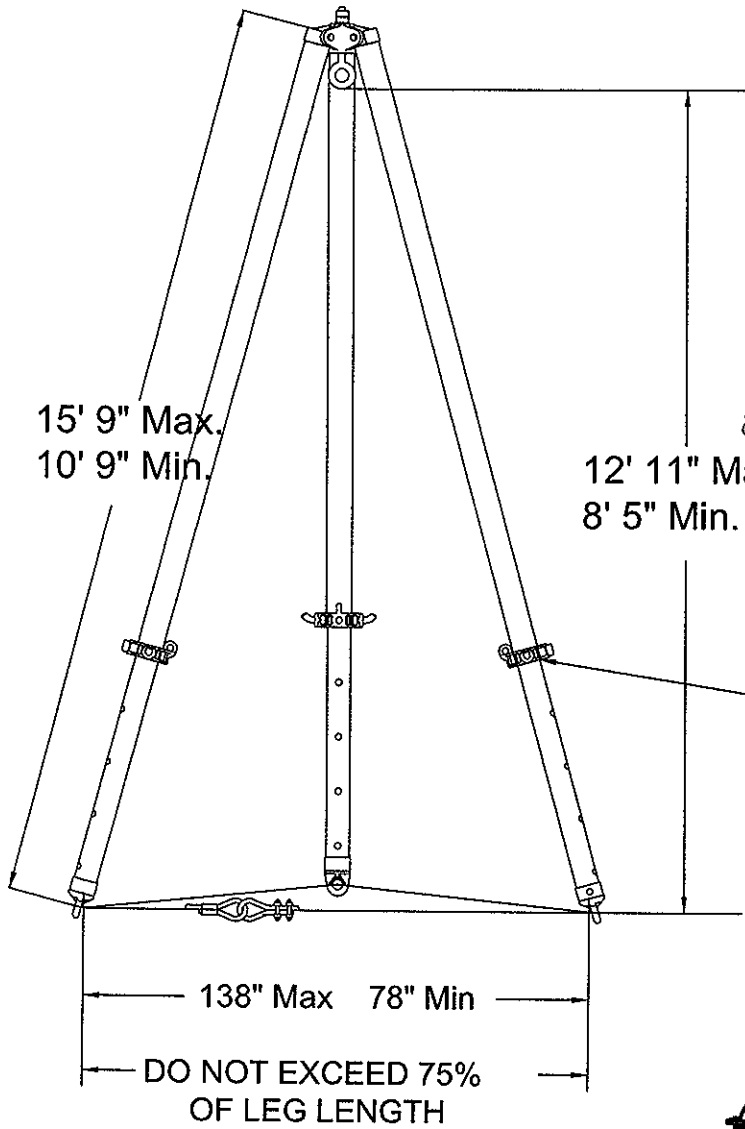
UNLESS OTHERWISE SPECIFIED DIMENSIONS ARE IN INCHES TOLERANCES ARE:				Wallace Cranes MALVERN, PENNSYLVANIA			
DRAWN BY jif		DATE 3-26-15		TITLE TRIPOD INSTRUCTIONS			
CHECKER		APPROVAL		SCALE NTS	WT.	DWG C	DRAWING NO. H3-1661
NEXT ASS'Y		SYMBOL	DESCRIPTION	DATE	BY	REV.	
		REVISIONS					



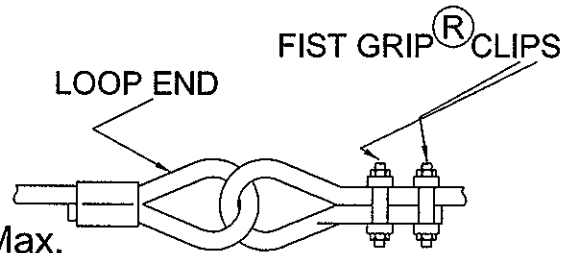
Detail of head.
Nut is shown on top,
Hemispherical washer
is below the nut,
curved side down.

NOTE: The Lashing Kit provided with the Tripod must be used.

The Lashing Cable is installed through the holes in the Tripod foot or rubber base pad. The free end is then put through the loop end of the cable and terminated as shown using the two Fist Grip Clips to complete the assembly. Torque bolts to 30 ft/lbs.



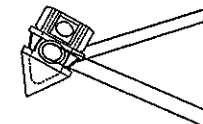
**LASHING CABLE
ASSEMBLY**



Leg Adjustments
at 6" Intervals
Eleven (11) Holes

Model Number H3-16101
Capacity = 8 Ton
Construction = Steel

OPTIONAL ACCESSORIES



**SPIKE BASE
KIT NO 1514**



**MUD BASE PLATE
KIT NO. 1097**



**RUBBER BASE PAD
KIT NO 675**

© Copyright Wallace Cranes 2015. All rights reserved.



UNLESS OTHERWISE SPECIFIED DIMENSIONS ARE IN INCHES TOLERANCES ON				Wallace Cranes MALVERN, PENNSYLVANIA			
FRACTION 1/16"		DECIMAL 0.031"		TITLE TRIPOD INSTRUCTIONS			
DRAWN BY JH		DATE 3-28-15		SCALE NTS		DWG C	
CHECKER		APPROVAL		DRAWING NO. H3-16101		REV.	
NEXT ASSY		STYL		DESCRIPTION		DATE	
				REVISIONS			