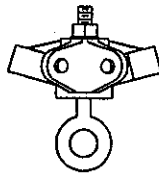
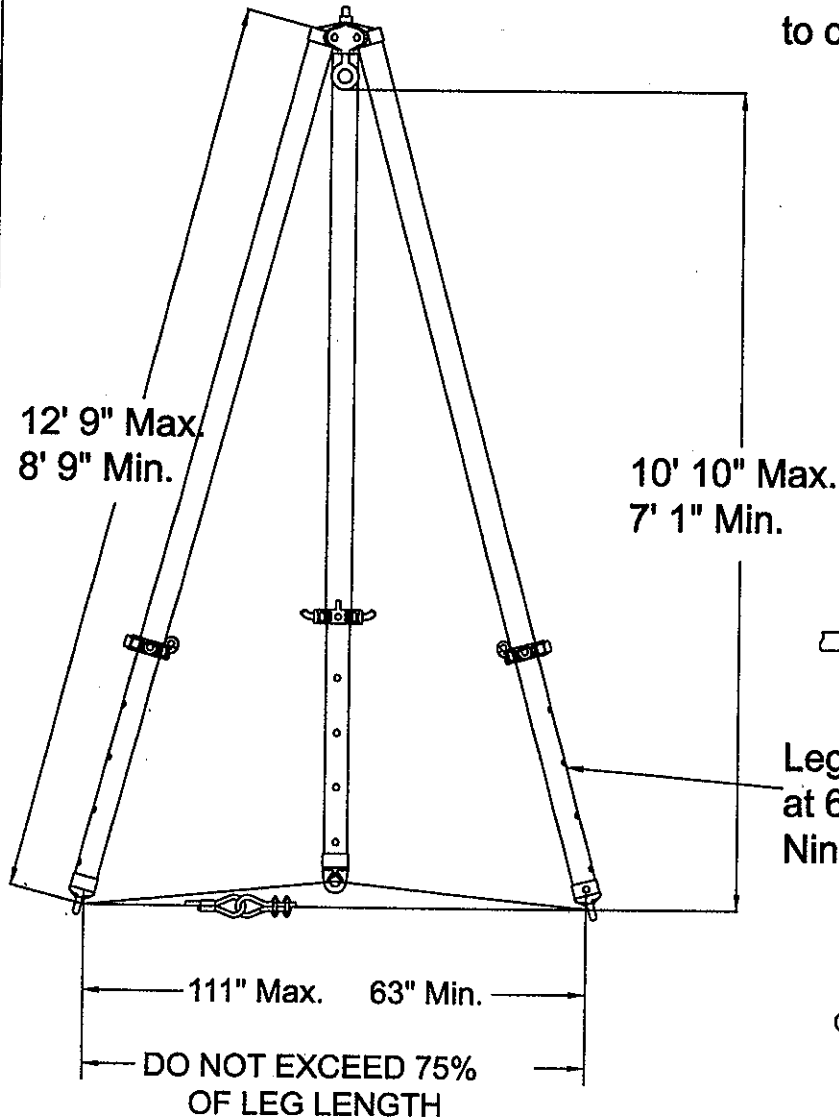


Detail of head.
Nut is shown on top,
Hemispherical washer
is below the nut,
curved side down.

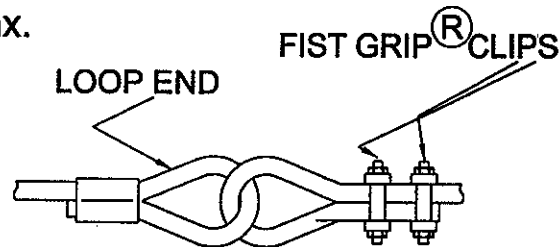


NOTE: The Lashing Kit provided with the Tripod must be used.

The Lashing Cable is installed through the holes in the Tripod foot or rubber base pad. The free end is then put through the loop end of the cable and terminated as shown using the two *Fist Grip Clips* to complete the assembly. Torque bolts to 30 ft/lbs.



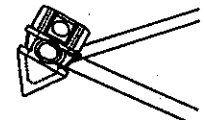
LASHING CABLE ASSEMBLY



Leg Adjustments
at 6" Intervals.
Nine (9) Holes

Model Number R3-282
Capacity = 1 Ton
Construction = Aluminum

OPTIONAL ACCESSORIES



SPIKE BASE
KIT NO 676



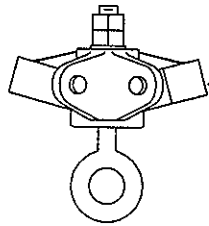
MUD BASE PLATE
KIT NO. 1097



RUBBER BASE PAD
KIT NO 675

© Copyright Wallace Cranes 2010. All rights reserved.

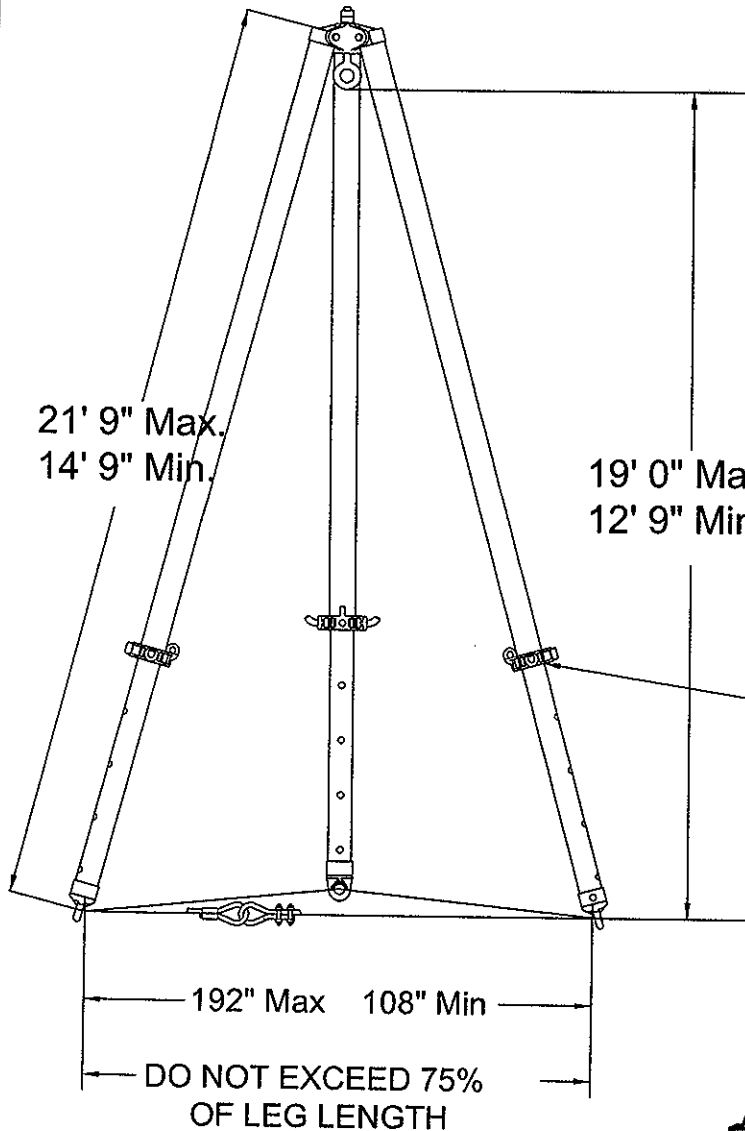
UNLESS OTHERWISE SPECIFIED DIMENSIONS ARE IN INCHES TOLERANCES ON FRACTION & DECIMAL DRAWN BY DATE CHECKER APPROVAL				<p>Wallace Cranes FRAZER, PENNSYLVANIA</p> <p>TITLE TRIPOD INSTRUCTIONS</p> <p>SCALE WT. DWG. DRAWING NO. REV. NTS C R3-282</p>			
NEXT ASSY	REV.	DESCRIPTION	DATE	INT.	REV.	DESCRIPTION	DATE



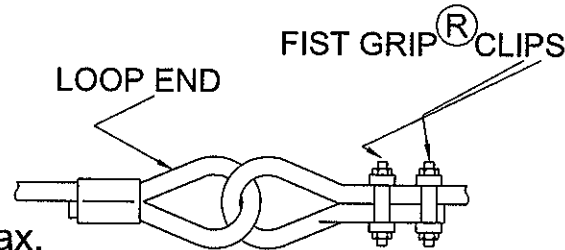
Detail of head.
Nut is shown on top,
Hemispherical washer
is below the nut,
curved side down.

NOTE: The Lashing Kit provided with the Tripod must be used.

The Lashing Cable is installed through the holes in the Tripod foot or rubber base pad. The free end is then put through the loop end of the cable and terminated as shown using the two Fist Grip Clips to complete the assembly. Torque bolts to 30 ft/lbs.



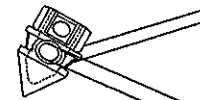
LASHING CABLE ASSEMBLY



Leg Adjustments
at 6" Intervals
Fifteen (15) Holes

Model Number H3-2142
Capacity = 1 Ton
Construction = Aluminum

OPTIONAL ACCESSORIES



SPIKE BASE
KIT NO 1514



MUD BASE PLATE
KIT NO. 1097



RUBBER BASE PAD
KIT NO 675

© Copyright Wallace Cranes 2015. All rights reserved.

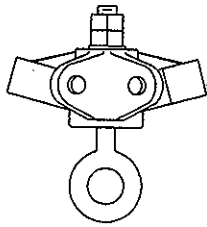


NEXT ASS'Y

SYMBOL	DESCRIPTION	DATE	BY
REVISIONS			

UNLESS OTHERWISE SPECIFIED DIMENSIONS ARE IN INCHES TOLERANCES ON	
FRACTION	DECIMAL
±10"	±0.5"
DRAWN BY	DATE
jjf	3-26-15
CHECKER	
APPROVAL	

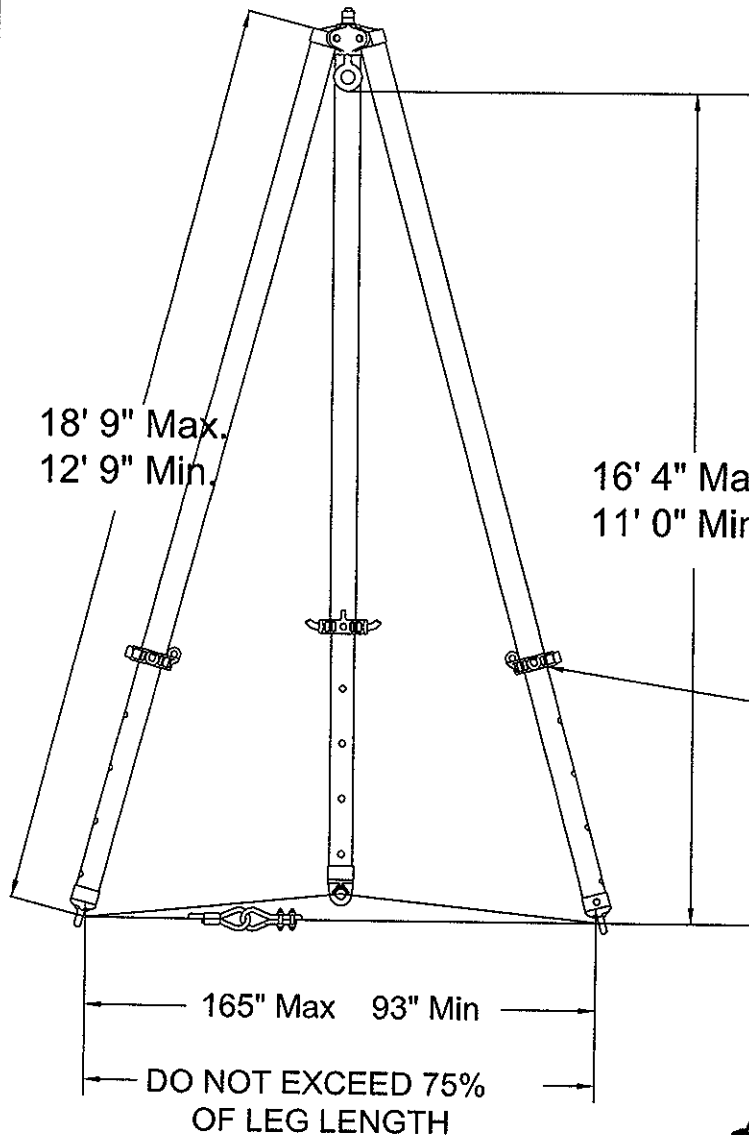
<i>Wallace Cranes</i> MALVERN, PENNSYLVANIA			
TRIPOD INSTRUCTIONS			
SCALE	WT.	DWG. SIZE	DRAWING NO.
N/T'S		C	H3-2142
			REV.



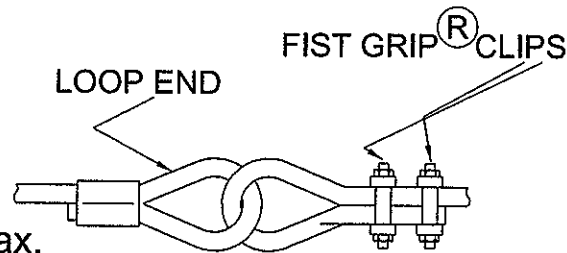
Detail of head.
Nut is shown on top,
Hemispherical washer
is below the nut,
curved side down.

NOTE: The Lashing Kit provided with the Tripod must be used.

The Lashing Cable is installed through the holes in the Tripod foot or rubber base pad. The free end is then put through the loop end of the cable and terminated as shown using the two Fist Grip Clips to complete the assembly. Torque bolts to 30 ft/lbs.



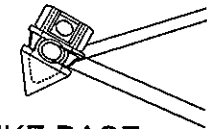
LASHING CABLE ASSEMBLY



Leg Adjustments
at 6" Intervals
Thirteen (13) Holes

Model Number H3-4122
Capacity = 2 Ton
Construction = Aluminum

OPTIONAL ACCESSORIES



SPIKE BASE
KIT NO 1514



MUD BASE PLATE
KIT NO. 1097



RUBBER BASE PAD
KIT NO 675

© Copyright Wallace Cranes 2015. All rights reserved.

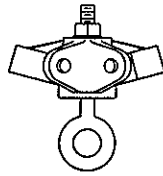


NEXT ASS'Y

SYMBOL	DESCRIPTION	DATE	BY
REVISIONS			

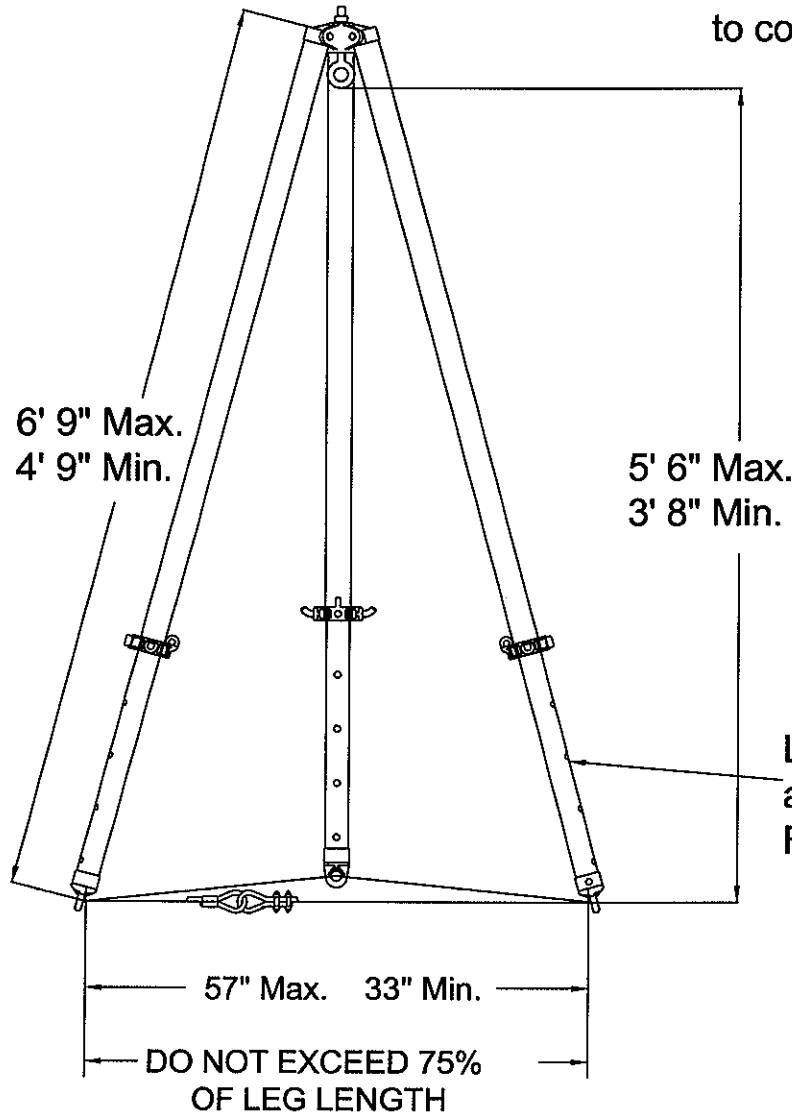
UNLESS OTHERWISE SPECIFIED DIMENSIONS ARE IN INCHES TOLERANCES ON		<i>Wallace Cranes</i> MALVERN, PENNSYLVANIA	
FRACTION ±1/32"	DECIMAL ±0.5"	TITLE TRIPOD INSTRUCTIONS	
DRAWN BY jjf	DATE 3-26-15	SCALE NTS	DWG. NO. H3-4122
ORDERER	APPROVAL	WT.	DRAWING NO. H3-4122
REVISIONS		SIZE C	REV.

Detail of head.
Nut is shown on top,
Hemispherical washer
is below the nut,
curved side down.

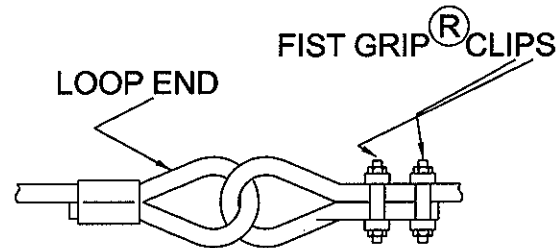


NOTE: The Lashing Kit provided with the Tripod must be used.

The Lashing Cable is installed through the holes in the Tripod foot or rubber base pad. The free end is then put through the loop end of the cable and terminated as shown using the two *Fist Grip Clips* to complete the assembly. Torque bolts to 30 ft/lbs.



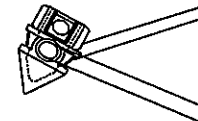
LASHING CABLE ASSEMBLY



Leg Adjustments
at 6" Intervals
Five (5) Holes

Model Number R3-642
Capacity = 3 Ton
Construction = Aluminum

OPTIONAL ACCESSORIES



SPIKE BASE
KIT NO 676



MUD BASE PLATE
KIT NO. 1097



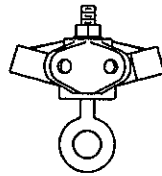
RUBBER BASE PAD
KIT NO 675

© Copyright Wallace Cranes 2010. All rights reserved.



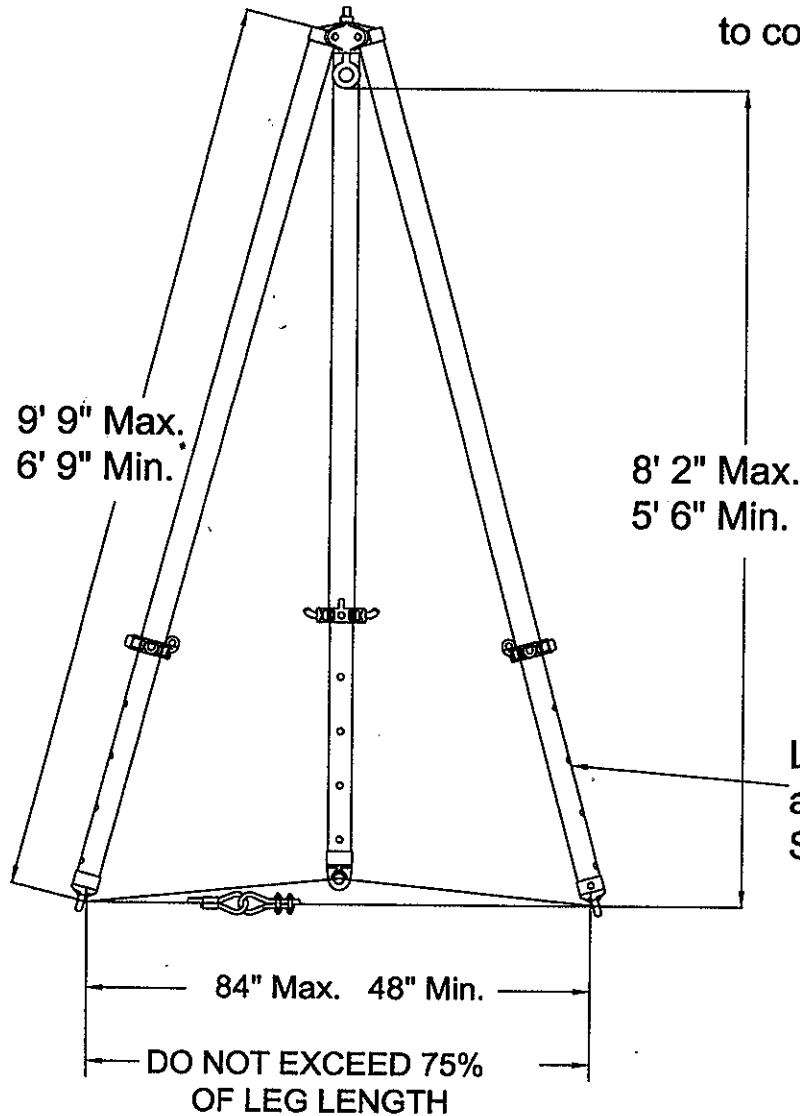
UNLESS OTHERWISE SPECIFIED				Wallace Cranes			
DIMENSIONS ARE IN INCHES				MALVERN, PENNSYLVANIA			
TOLERANCES ON				TITLE			
FRACTION		DECIMAL		TRIPOD INSTRUCTIONS			
± 1/2"		± 0.01"					
DRAWN BY	jjt	DATE	6-23-10	SCALE	NTS	DWG. NO.	R3-642
CHECKER		APPROVAL		REV.			
REVISIONS							

Detail of head.
Nut is shown on top,
Hemispherical washer
is below the nut,
curved side down.

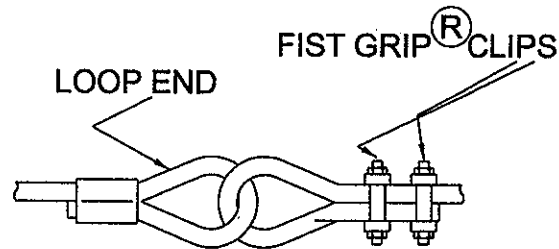


NOTE: The Lashing Kit provided with the Tripod must be used.

The Lashing Cable is installed through the holes in the Tripod foot or rubber base pad. The free end is then put through the loop end of the cable and terminated as shown using the two *Fist Grip Clips* to complete the assembly. Torque bolts to 30 ft/lbs.



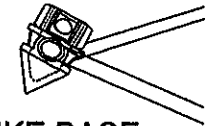
LASHING CABLE ASSEMBLY



Leg Adjustments
at 6" Intervals
Seven (7) Holes

Model Number R3-662
Capacity = 3 Ton
Construction = Aluminum

OPTIONAL ACCESSORIES



SPIKE BASE
KIT NO 676



MUD BASE PLATE
KIT NO. 1097

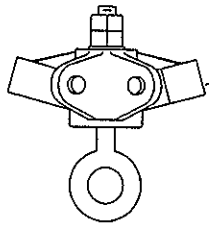


RUBBER BASE PAD
KIT NO 675

© Copyright Wallace Cranes 2010. All rights reserved.



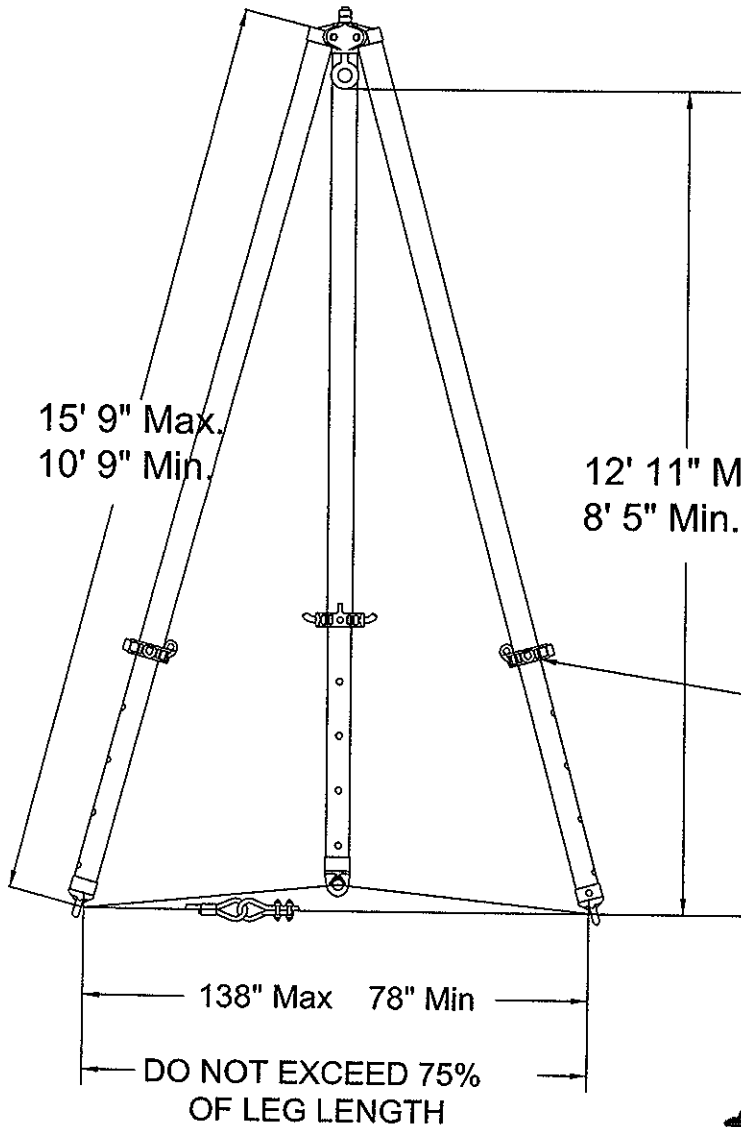
UNLESS OTHERWISE SPECIFIED, DIMENSIONS ARE IN INCHES TOLERANCES ON		Wallace Cranes MALVERN, PENNSYLVANIA	
FRACTION ± 1/32"	DECIMAL ± 0.015"	TITLE TRIPOD INSTRUCTIONS	
DRAWN BY JH	DATE 8-21-10	SCALE NTS	DWG NO. R3-662
CHECKER	APPROVAL	REV.	REV.



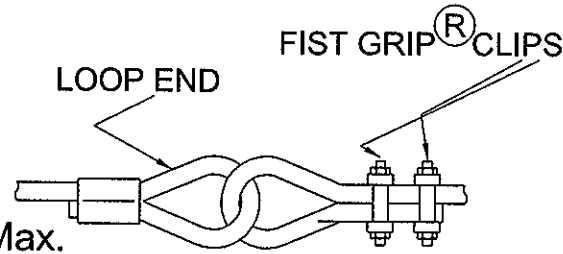
Detail of head.
Nut is shown on top,
Hemispherical washer
is below the nut,
curved side down.

NOTE: The Lashing Kit provided with the Tripod must be used.

The Lashing Cable is installed through the holes in the Tripod foot or rubber base pad. The free end is then put through the loop end of the cable and terminated as shown using the two Fist Grip Clips to complete the assembly. Torque bolts to 30 ft/lbs.



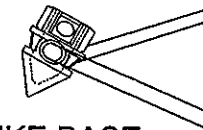
LASHING CABLE
ASSEMBLY



Leg Adjustments
at 6" Intervals
Eleven (11) Holes

Model Number H3-8102
Capacity = 4 Ton
Construction = Aluminum

OPTIONAL ACCESSORIES



SPIKE BASE
KIT NO 1514



MUD BASE PLATE
KIT NO. 1097



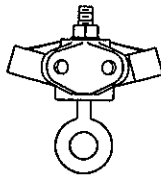
RUBBER BASE PAD
KIT NO 675

© Copyright Wallace Cranes 2015. All rights reserved.



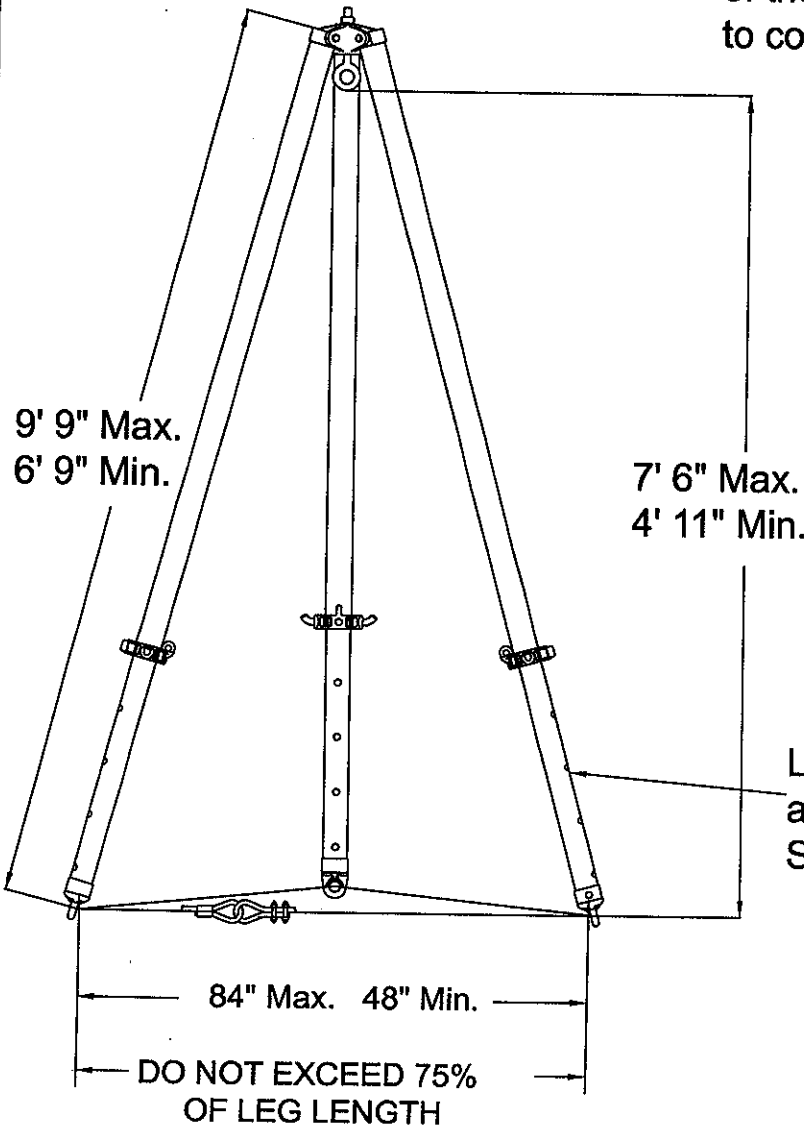
UNLESS OTHERWISE SPECIFIED DIMENSIONS ARE IN INCHES TOLERANCES ON:		FRACTION ±1/2"		DECIMAL ±0.2"		Wallace Cranes MALVERN, PENNSYLVANIA	
DRAWN BY jff		DATE 3-26-15		TITLE TRIPOD INSTRUCTIONS			
NEXT ASS'Y		SYMBOL		DESCRIPTION		DATE	
APPROVAL		REV.		SCALE NTS		WT.	
DRAWING No.		C		DWG		H3-8102	
REV.		SIZE		C		REV.	

Detail of head.
Nut is shown on top,
Hemispherical washer
is below the nut,
curved side down.

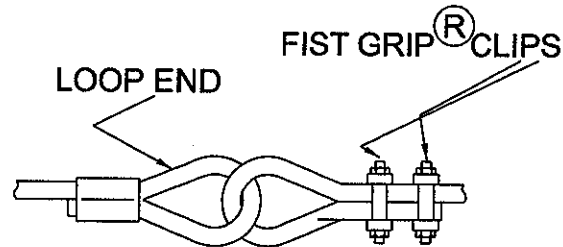


NOTE: The Lashing Kit provided with the Tripod must be used.

The Lashing Cable is installed through the holes in the Tripod foot or rubber base pad. The free end is then put through the loop end of the cable and terminated as shown using the two *Fist Grip Clips* to complete the assembly. Torque bolts to 30 ft/lbs.



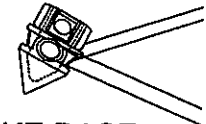
LASHING CABLE ASSEMBLY



Leg Adjustments
at 6" Intervals
Seven (7) Holes

Model Number H3-1062
Capacity = 5 Ton
Construction = Aluminum

OPTIONAL ACCESSORIES



SPIKE BASE
KIT NO 1514



MUD BASE PLATE
KIT NO. 1097



RUBBER BASE PAD
KIT NO 675

© Copyright Wallace Cranes 2010. All rights reserved.

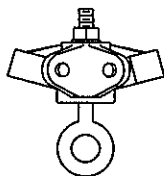


UNLESS OTHERWISE SPECIFIED DIMENSIONS ARE IN INCHES TOLERANCES ON		FRACTION ± .015"		DECIMAL ± .005"		TITLE TRIPOD INSTRUCTIONS	
DRAWN BY	DATE	6-21-10		SCALE		NTS	
DESIGNER	DATE			WT.		C	
APPROVAL	REVISIONS			DRAWING NO.		H3-1062	

Wallace Cranes
MALVERN, PENNSYLVANIA

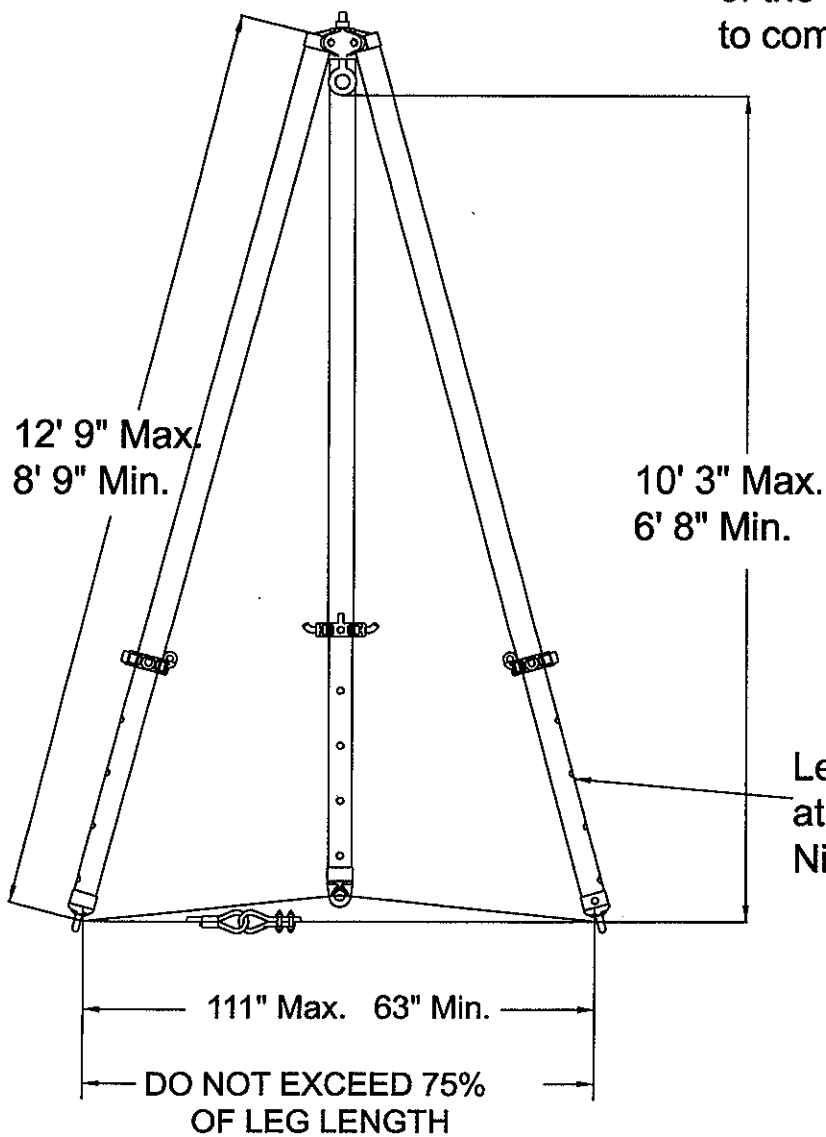
SCALE: NTS
WT.: C
DRAWING NO.: H3-1062

Detail of head.
Nut is shown on top,
Hemispherical washer
is below the nut,
curved side down.

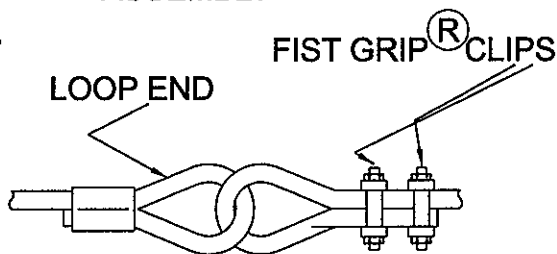


NOTE: The Lashing Kit provided with the Tripod must be used.

The Lashing Cable is installed through the holes in the Tripod foot or rubber base pad. The free end is then put through the loop end of the cable and terminated as shown using the two *Fist Grip Clips* to complete the assembly. Torque bolts to 30 ft/lbs.



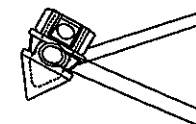
LASHING CABLE
ASSEMBLY



Leg Adjustments
at 6" Intervals
Nine (9) Holes

Model Number H3-1082
Capacity = 5 Ton
Construction = Aluminum

OPTIONAL ACCESSORIES



SPIKE BASE
KIT NO 1514



MUD BASE PLATE
KIT NO. 1097



RUBBER BASE PAD
KIT NO 675

© Copyright Wallace Cranes 2012. All rights reserved.



UNLESS OTHERWISE SPECIFIED DIMENSIONS ARE IN INCHES TOLERANCES ON		FRACTION ± 1/32"		DECIMAL ± 0.01"		<i>Wallace Cranes</i> MALVERN, PENNSYLVANIA TITLE TRIPOD INSTRUCTIONS	
DRAWN BY	JJE	DATE	2-7-12		SCALE	NTS	DWG NO. C
CHECKED BY		DATE			REV.		DRAWING NO. H3-1082
APPROVAL							