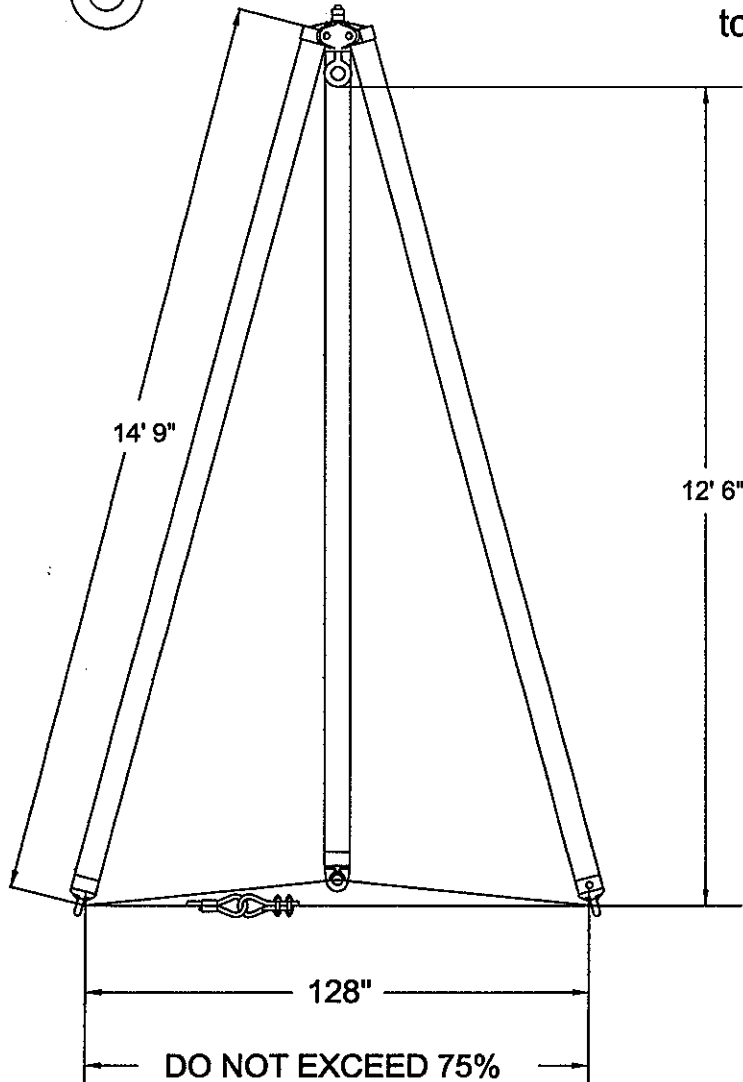


Detail of head. Nut is shown on top. Hemispherical washer is below the nut, curved side down.

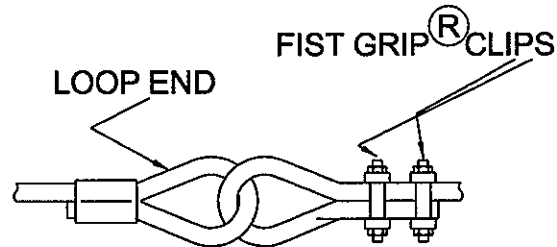
NOTE: The Lashing Kit provided with the Tripod must be used.

The Lashing Cable is installed through the holes in the Tripod foot or rubber base pad. The free end is then put through the loop end of the cable and terminated as shown using the two Fist Grip Clips to complete the assembly. Torque bolts to 30 ft/lbs.



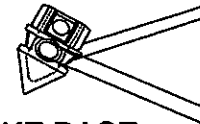
DO NOT EXCEED 75% OF LEG LENGTH

LASHING CABLE ASSEMBLY



Model Number 4-40141
Capacity = 2 Ton
Construction = Steel

OPTIONAL ACCESSORIES



SPIKE BASE
KIT NO. 677



MUD BASE PLATE
KIT NO. 1097

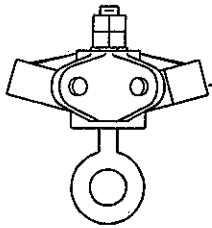


RUBBER BASE PAD
KIT NO 675

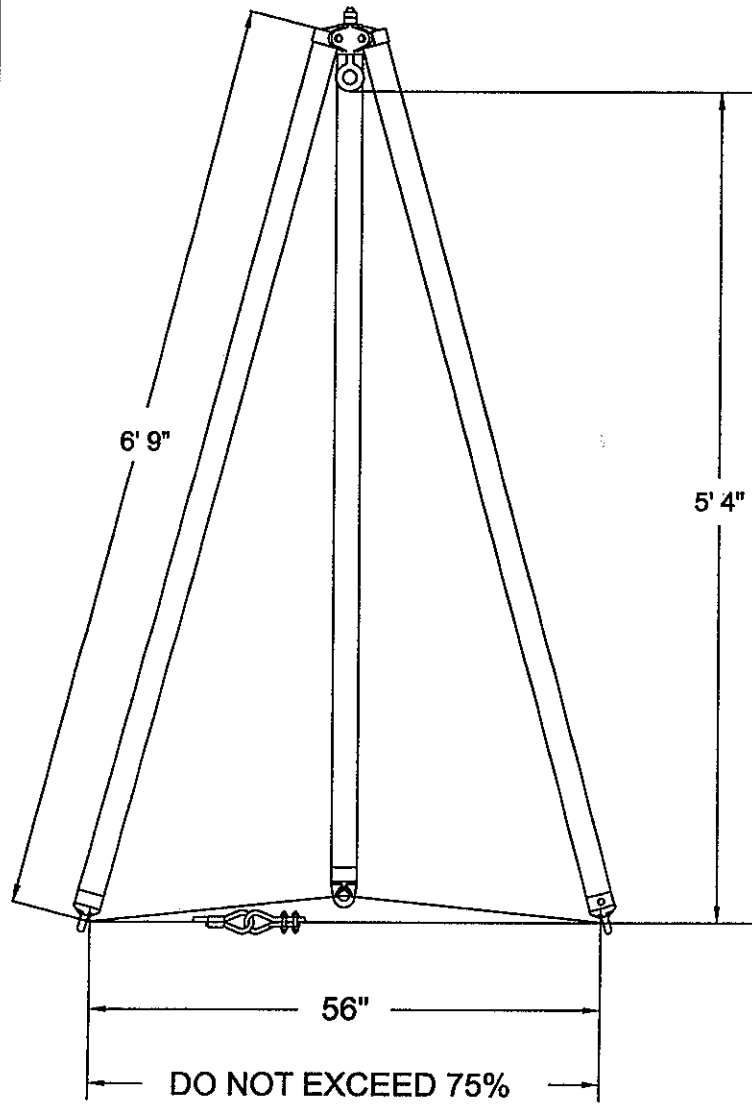
© Copyright Wallace Cranes 2010. All rights reserved.



UNLESS OTHERWISE SPECIFIED DIMENSIONS ARE IN INCHES TOLERANCES ON:		FRACTION 1/2"		DECIMAL 0.015"		TITLE Wallace Cranes MALVERN, PENNSYLVANIA	
DRAWN BY Jff		DATE 8-3-10		SCALE NTS		DRAWING NO. 4-40141	
CHECKER		APPROVAL		REV.		REV.	
NEXT ASS'Y		DESCRIPTION		DATE		REV.	
		REVISIONS					



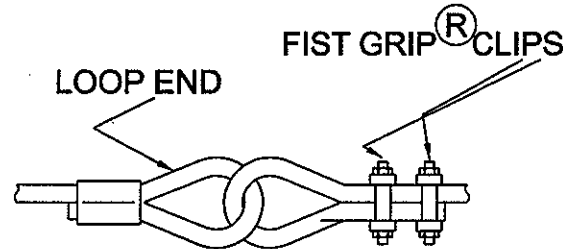
Detail of head.
Nut is shown on top,
Hemispherical washer
is below the nut,
curved side down.



NOTE: The Lashing Kit provided with the Tripod must be used.

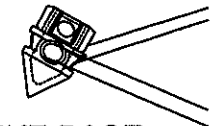
The Lashing Cable is installed through the holes in the Tripod foot or rubber base pad. The free end is then put through the loop end of the cable and terminated as shown using the two Fist Grip Clips to complete the assembly. Torque bolts to 30 ft/lbs.

LASHING CABLE
ASSEMBLY



Model Number 4-6061
Capacity = 3 Ton
Construction = Steel

OPTIONAL ACCESSORIES



SPIKE BASE
KIT NO. 677



MUD BASE PLATE
KIT NO. 1097



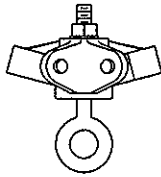
RUBBER BASE PAD
KIT NO 675

© Copyright Wallace Cranes 2010. All rights reserved.



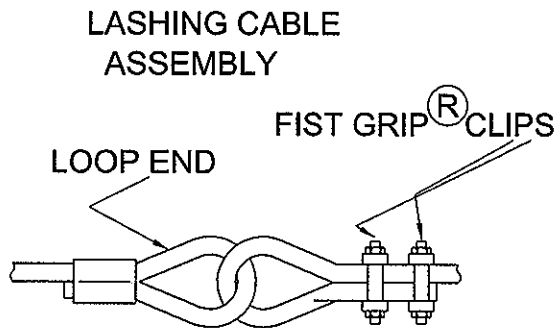
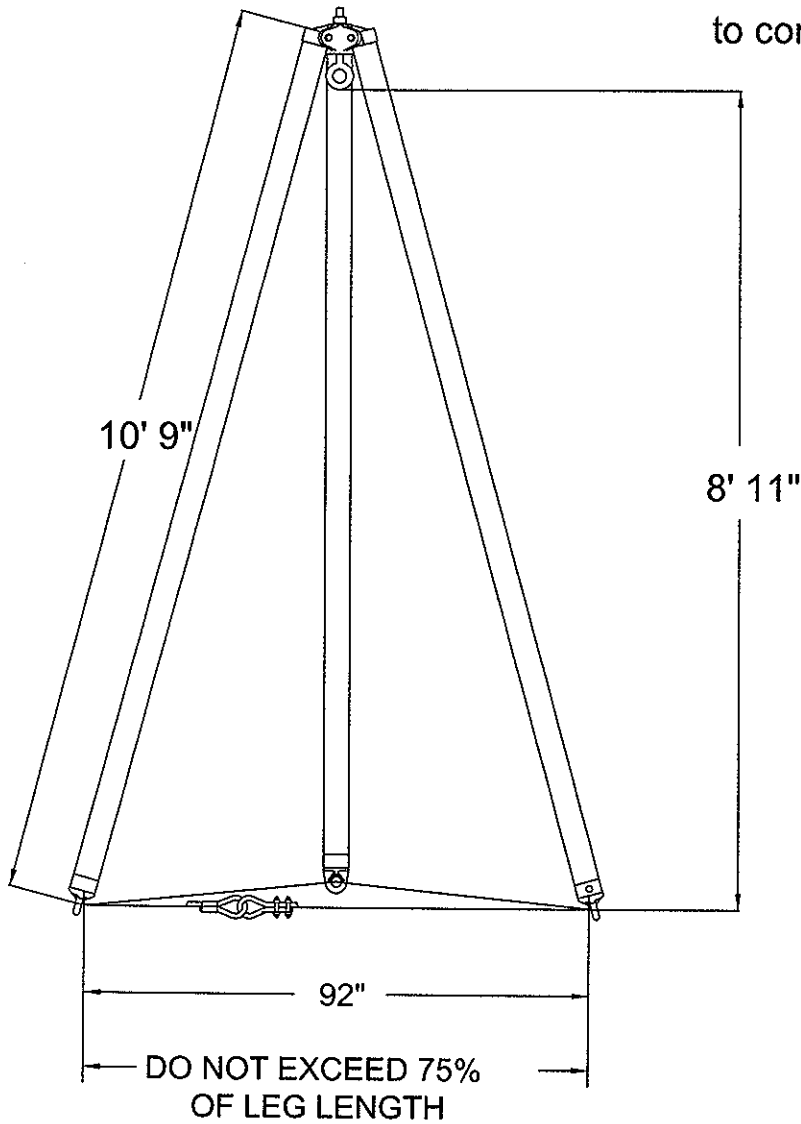
UNLESS OTHERWISE SPECIFIED DIMENSIONS ARE IN INCHES TOLERANCES ON		FRACTION 1/32"		DECIMAL 0.03"		Wallace Cranes MALVERN, PENNSYLVANIA	
DRAWN BY		DATE		TITLE TRIPOD INSTRUCTIONS			
CHECKED		DATE		SCALE	INT.	DWG NO.	REV.
APPROVAL		DATE		NTS		4-6061	
NEXT ASS'Y		REVISIONS					

Detail of head.
Nut is shown on top,
Hemispherical washer
is below the nut,
curved side down.



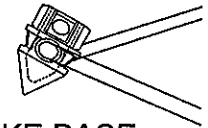
NOTE: The Lashing Kit provided with the Tripod must be used.

The Lashing Cable is installed through the holes in the Tripod foot or rubber base pad. The free end is then put through the loop end of the cable and terminated as shown using the two *Fist Grip Clips* to complete the assembly. Torque bolts to 30 ft/lbs.



Model Number 4-60101
Capacity = 6,000 lbs.
Construction = Steel

OPTIONAL ACCESSORIES



SPIKE BASE
KIT NO 677



MUD BASE PLATE
KIT NO. 1097



RUBBER BASE PAD
KIT NO 675

© Copyright Wallace Cranes 2015. All rights reserved.



UNLESS OTHERWISE SPECIFIED DIMENSIONS ARE IN INCHES TOLERANCES ON FRACTION DECIMAL ± 1/16" ± 0.01"				Wallace Cranes MALVERN, PENNSYLVANIA	
DRAWN BY: JF		DATE: 3-26-15		TITLE: TRIPOD INSTRUCTIONS	
CHECKER:	APPROVAL:	SCALE: NTS	WT.:	DWG. NO. C 4-60101	REV.:
REVISIONS					