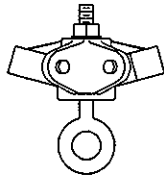
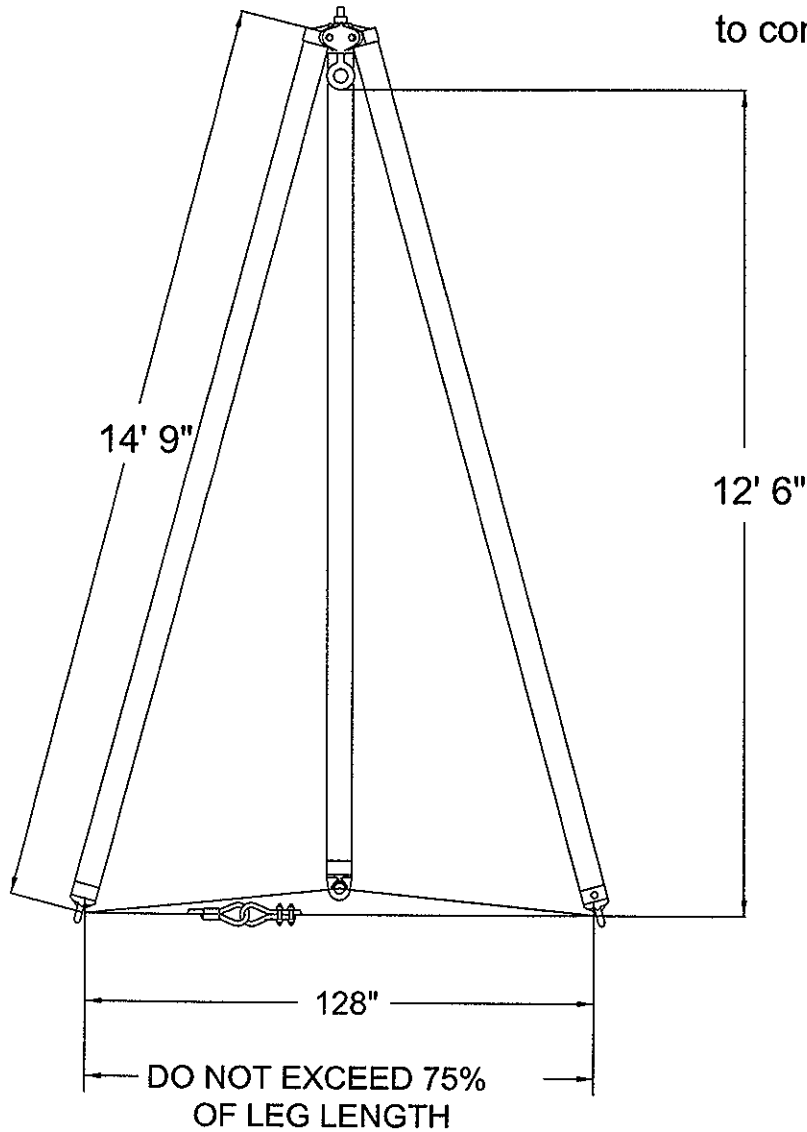


Detail of head.
Nut is shown on top,
Hemispherical washer
is below the nut,
curved side down.

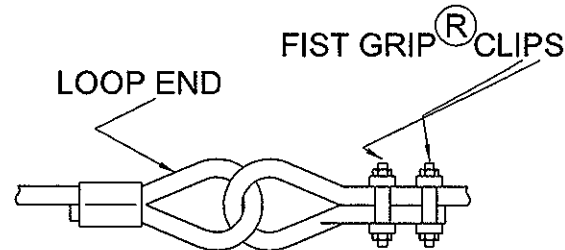


NOTE: The Lashing Kit provided with the Tripod must be used.

The Lashing Cable is installed through the holes in the Tripod foot or rubber base pad. The free end is then put through the loop end of the cable and terminated as shown using the two *Fist Grip Clips* to complete the assembly. Torque bolts to 30 ft/lbs.

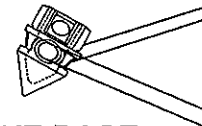


LASHING CABLE ASSEMBLY

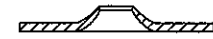


Model Number 4-10142
Capacity = 1,000 lbs.
Construction = Aluminum

OPTIONAL ACCESSORIES



SPIKE BASE
KIT NO 677



MUD BASE PLATE
KIT NO. 1097



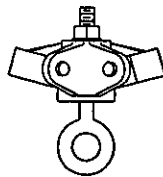
RUBBER BASE PAD
KIT NO 675

© Copyright Wallace Cranes 2015. All rights reserved.



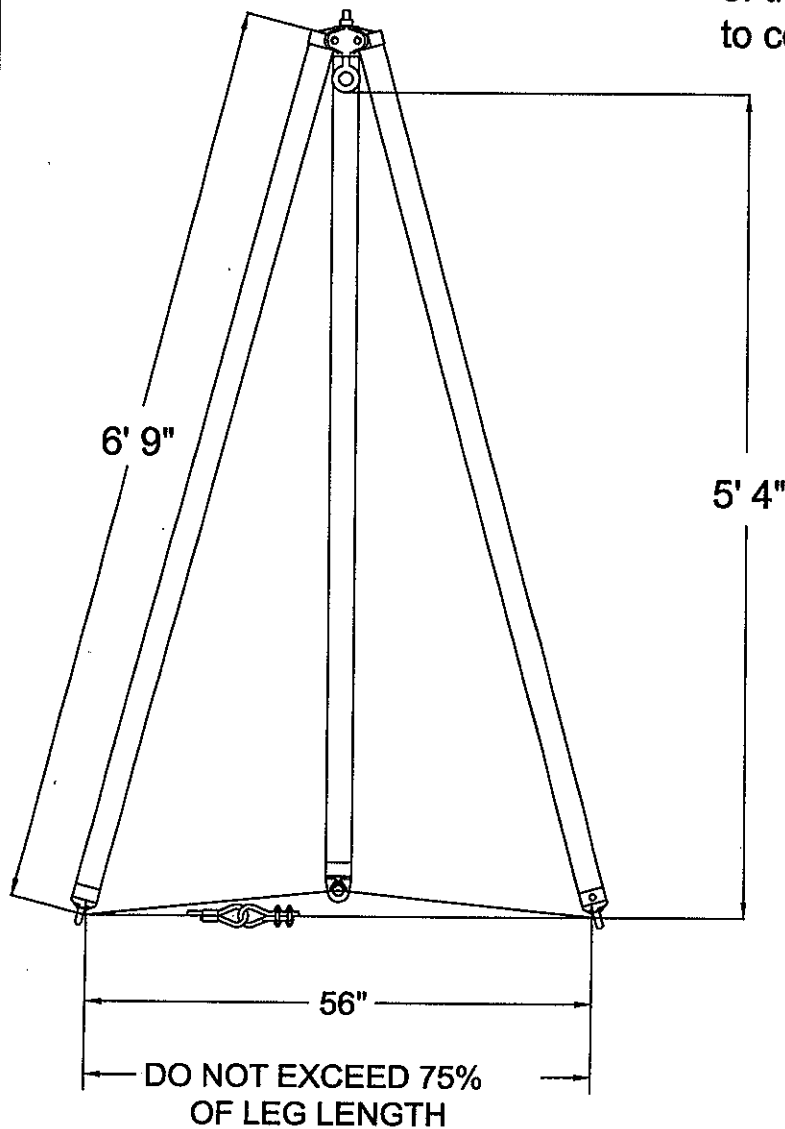
UNLESS OTHERWISE SPECIFIED DIMENSIONS ARE IN INCHES TOLERANCES ON				Wallace Cranes MALVERN, PENNSYLVANIA			
FRACTION ± 1/2"		DECIMAL ± 0.05"		TITLE TRIPOD INSTRUCTIONS			
DRAWN BY jif	DATE 3-26-15	SCALE NTS		WT.	DRWG. C	DRAWING NO. 4-10142	REV.
CHECKER	APPROVAL	REVISIONS		SIZE			

Detail of head.
Nut is shown on top,
Hemispherical washer
is below the nut,
curved side down.

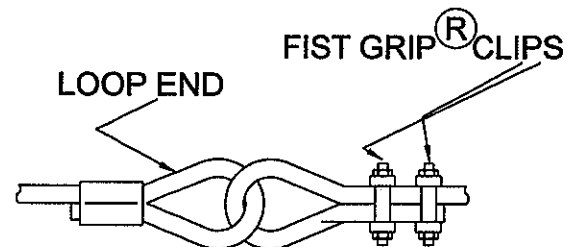


NOTE: The Lashing Kit provided with the Tripod must be used.

The Lashing Cable is installed through the holes in the Tripod foot or rubber base pad. The free end is then put through the loop end of the cable and terminated as shown using the two *Fist Grip Clips* to complete the assembly. Torque bolts to 30 ft/lbs.

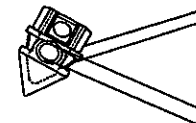


LASHING CABLE ASSEMBLY



Model Number 4-3062
Capacity = 3,000 lbs.
Construction = Aluminum

OPTIONAL ACCESSORIES



SPIKE BASE
KIT NO 677



MUD BASE PLATE
KIT NO. 1097

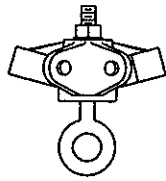


RUBBER BASE PAD
KIT NO 675



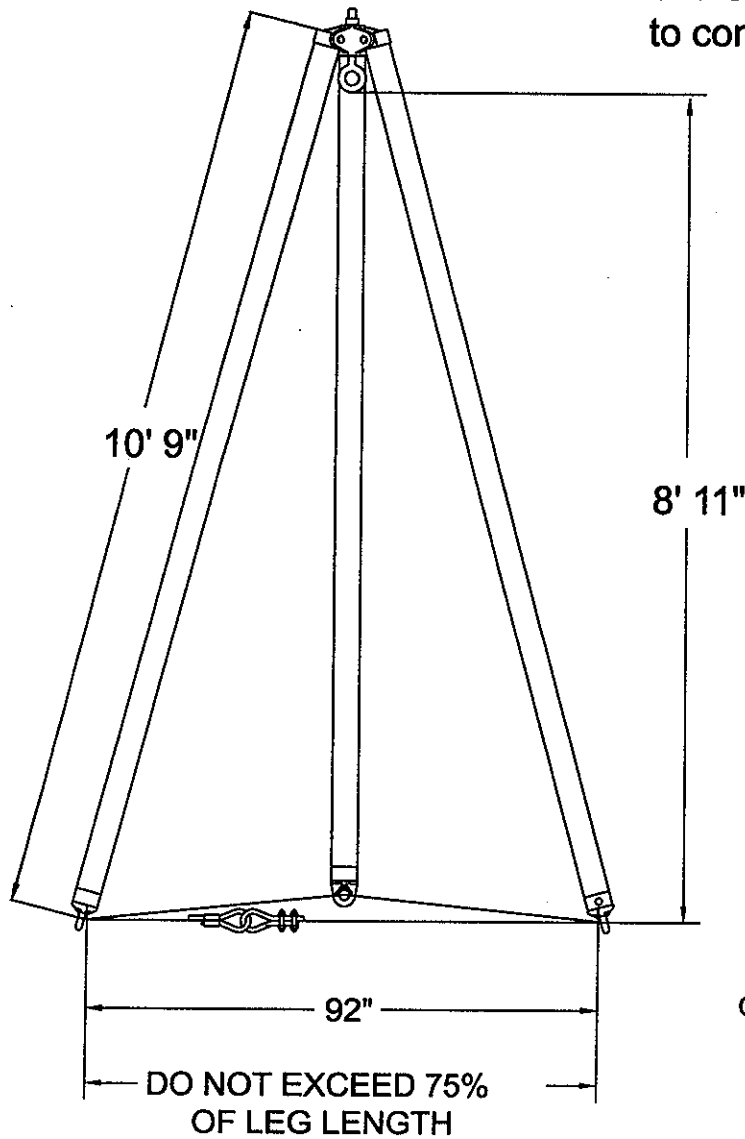
UNLESS OTHERWISE SPECIFIED DIMENSIONS ARE IN INCHES TOLERANCES ON				Wallace Cranes MALVERN, PENNSYLVANIA			
FRACTION		DECIMAL		TITLE			
± .02"		± 0.01"		TRIPOD INSTRUCTIONS			
DRAWN BY	DATE	7-10-12		SCALE	WT	DWG	DRAWING NO.
CHECKER				NTS		C	4-3062
APPROVAL				SIZE			
REVISIONS							

Detail of head.
Nut is shown on top,
Hemispherical washer
is below the nut,
curved side down.

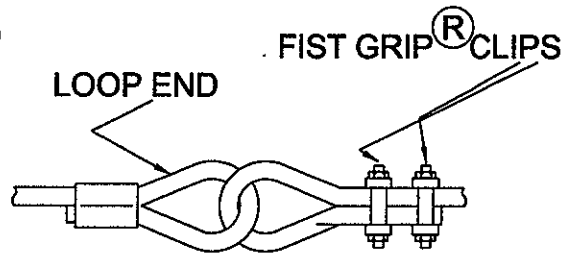


NOTE: The Lashing Kit provided with the Tripod must be used.

The Lashing Cable is installed through the holes in the Tripod foot or rubber base pad. The free end is then put through the loop end of the cable and terminated as shown using the two *Fist Grip Clips* to complete the assembly. Torque bolts to 30 ft/lbs.

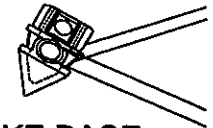


LASHING CABLE ASSEMBLY



Model Number 4-30102
Capacity = 1.5 Ton (3,000 lbs.)
Construction = Aluminum

OPTIONAL ACCESSORIES



**SPIKE BASE
KIT NO 677**



**MUD BASE PLATE
KIT NO. 1097**



**RUBBER BASE PAD
KIT NO 675**

© Copyright Wallace Cranes 2013. All rights reserved.



UNLESS OTHERWISE SPECIFIED DIMENSIONS ARE IN INCHES TOLERANCES ON		FRACTION		DECIMAL		TITLE	
		± 1/2"		± 0.5"		Wallace Cranes MALVERN, PENNSYLVANIA	
DRAWN BY		DATE		SCALE		WT.	
CHECKER		2-7-13		NTS		DWG C SIZE	
APPROVAL		REVISIONS		DRAWING NO.		REV.	
				4-30102			