

Pipe & Manhole Handling



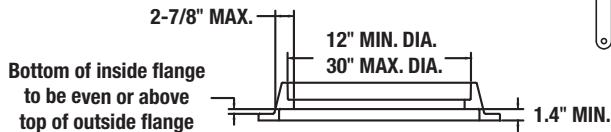
The Caldwell Group • 800-628-4263 • www.caldwellinc.com

Rig-Master® Section
2011-2013 Master Catalog

Model MCL - Manhole Sleeve Lifter

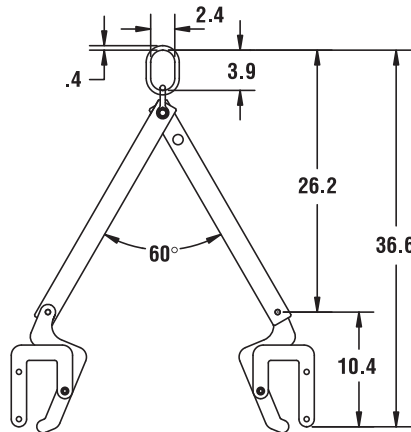


Sleeve Dimensions



PRODUCT FEATURES:

- Quick and efficient way to place cast manhole sleeves.
- Easily attaches to and releases from the load.
- 2 or 3 leg models available.
- Complies with ASME standards.



NOTE: Dimensions shown in inches.



3-Leg Model MCL-3/4

SPECIFICATIONS

Model Number	Description	Capacity (lbs.)	Wt. (lbs.)
MCL-1/2	2-Leg Version	1000	24
MCL-3/4	3-Leg version: 2-18" Legs, 1-30" Leg With Shortener	1500	26
MCL-C	Clamps Only	500	6

NOTE: Flange diameter range 12" - 30".
Not for straight walled lifts.
Consult factory for other frame configurations.

Model MML - Magnetic Manhole Lifter

Moving heavy manhole covers becomes a one-person operation, reducing the potential for injury on the job.

PRODUCT FEATURES:

- Dolly handle breaks down for easy storage.
- Use for covers or grates.
- Models available to accommodate a variety of lid sizes.

SPECIFICATIONS

Model Number	Lid Size	Weight (lbs.)
MML-26	Up To 26" Diameter	77
MML-35	30" To 35" Diameter	108
MML-36	36" Diameter & Up	106



Model MML-26 or MML-35



Model MML-36