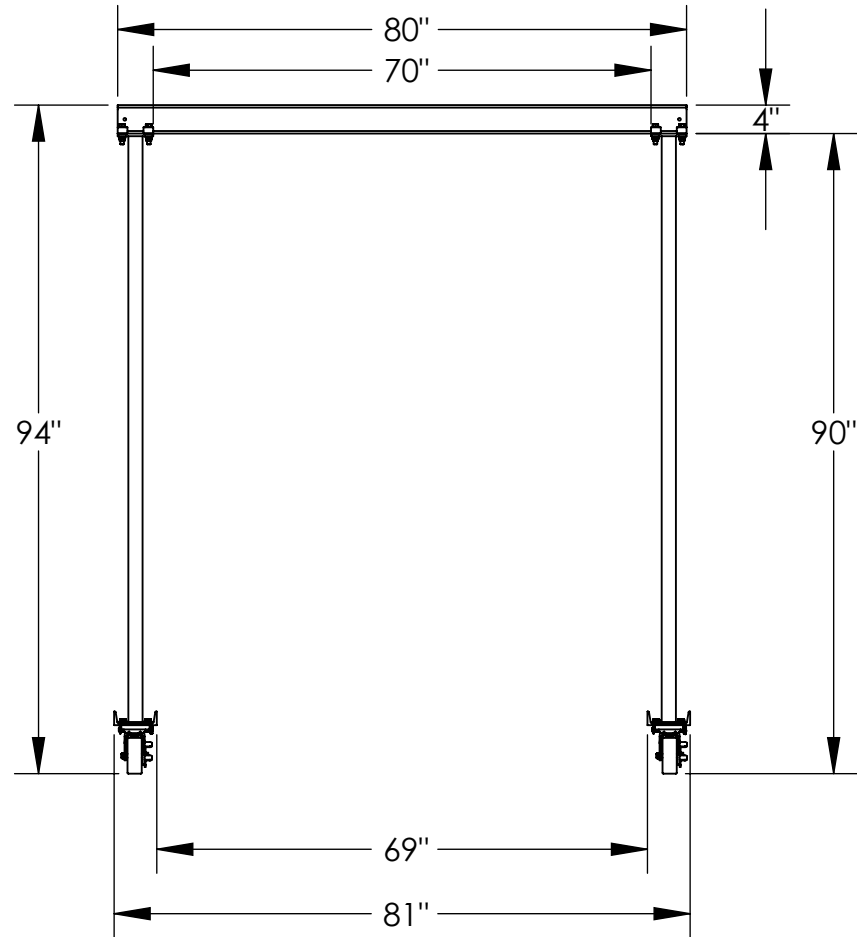


WORK AREA PORTABLE GANTRY CRANE - FPG-6

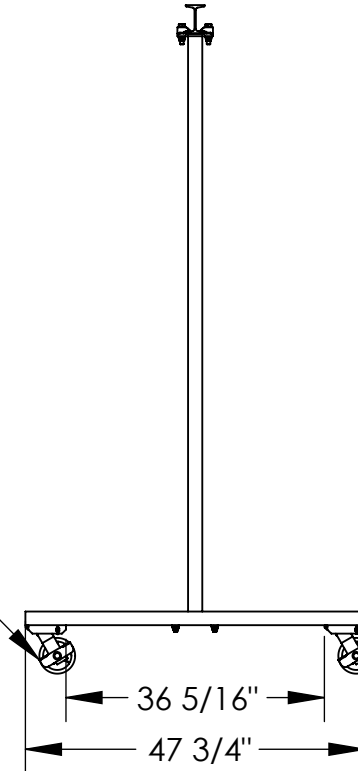
APPROX WEIGHT: 226.25 lbs.
 DOES NOT INCLUDE WEIGHT OF POWER OR PACKAGING!!!
 DIMENSION TOLERANCE ± 1/4"

*** ANY ADDITIONS, DELETIONS, OR OMISSIONS MUST BE CORRECTED ON THIS DRAWING AS THIS DRAWING WILL BE CONSIDERED ALL INCLUSIVE ***

ALL GRAPHICS PROVIDED ARE FOR REFERENCE ONLY. IF CERTAIN DIMENSIONS ARE CRITICAL PLEASE VERIFY THOSE DIMENSIONS WITH YOUR SALESPERSON



FOUR Ø5" x 2"
 POLYURETHANE
 SWIVEL CASTERS
 W/ BRAKE



STANDARD FEATURES

MODEL NUMBER IS FPG-6
 CAPACITY IS 600 LBS.
 OVERALL I-BEAM LENGTH IS 80"
 USABLE I-BEAM LENGTH IS 70"
 OVERALL WIDTH IS 47 3/4"
 USABLE WIDTH IS 36 5/16"
 OVERALL LENGTH IS 81"
 STRADDLE LENGTH IS 69"
 OVERALL HEIGHT IS 94"
 UNDER I-BEAM HEIGHT IS 90"
 I-BEAM HEIGHT IS 4"
 BLUE POWDER COAT PAINT FINISH

SPECIAL FEATURES

NONE

APPROVAL

I, THE UNDERSIGNED, AGREE THAT THE PRODUCT AS REPRESENTED SATISFIES DESIGN AND DIMENSION REQUIREMENTS. I ALSO ACKNOWLEDGE MY DUTY TO CONFIRM PRODUCT AND INSTALLATION COMPLIANCE WITH ALL APPLICABLE FEDERAL, STATE AND LOCAL REGULATIONS AND STANDARDS.
ALL SPECIAL UNITS ARE NON-RETURNABLE
 As drawn As marked

Signed: _____ Date: _____

LEAD TIME WILL START UPON RECEIPT OF SIGNED APPROVAL DRAWING

DISTRIBUTOR'S NAME:		P.O.#
VESTIL MANUFACTURING		X
DRAWN BY: ND		DATE: 3/26/07
DATE: 3/26/07		W.O.#
REFERENCE: X	SCALE: 1:27	SALES: X
QUOTED LEAD TIME: X	QUOTE # X	FILE NAME:
		28-007-037-001