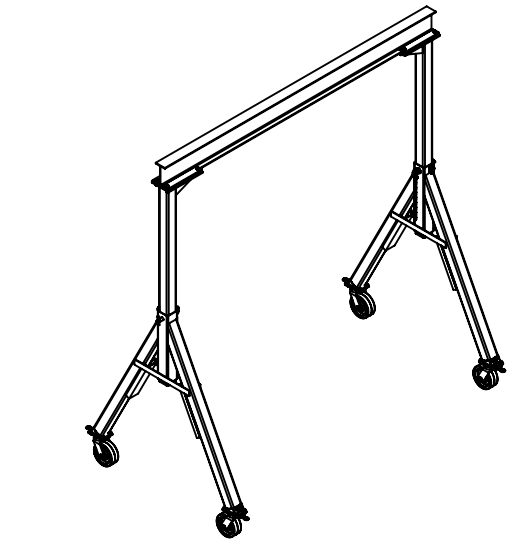
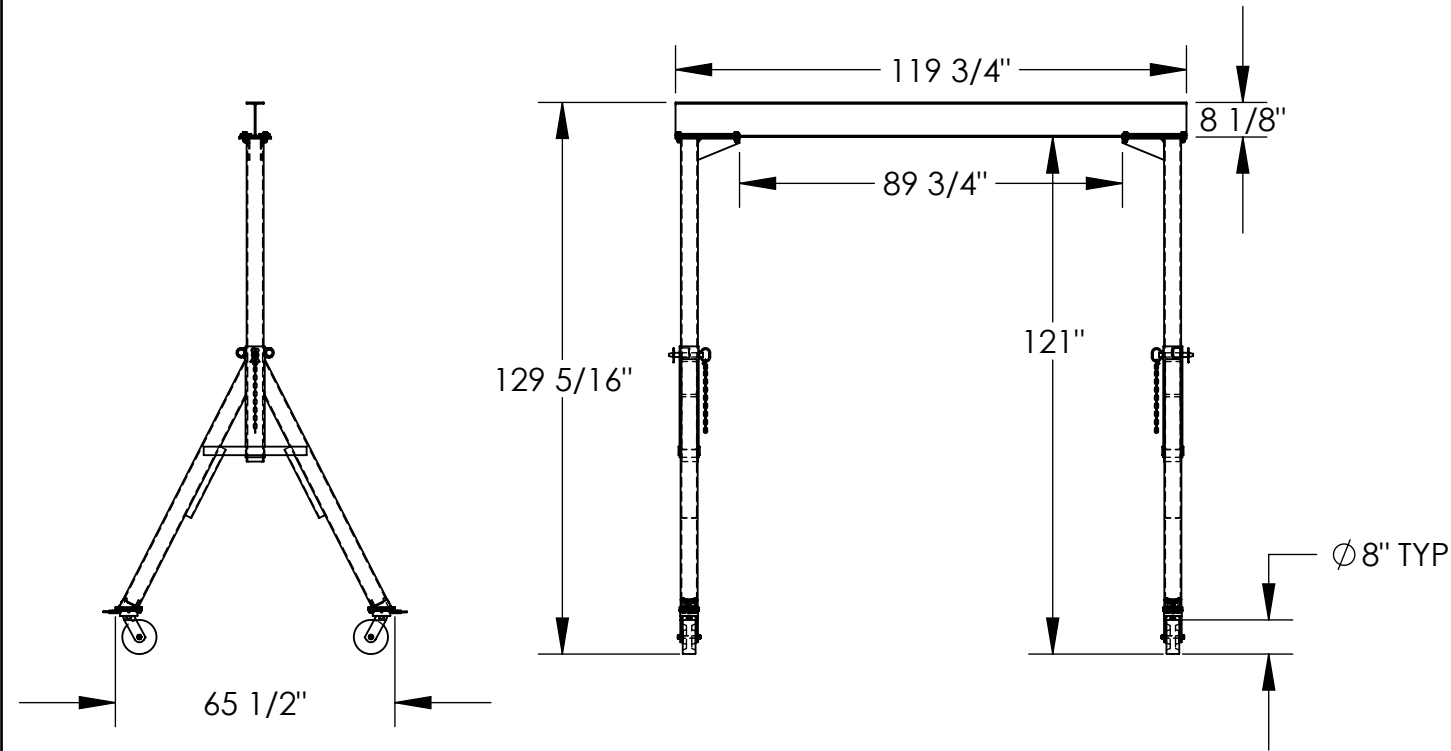


FIXED STEEL GANTRY CRANE - FHS-6-10

APPROX WEIGHT: 774.03 lbs.
 DOES NOT INCLUDE WEIGHT OF POWER OR PACKAGING!!!

*** ANY ADDITIONS, DELETIONS, OR OMISSIONS MUST BE CORRECTED ON THIS DRAWING AS THIS DRAWING WILL BE CONSIDERED ALL INCLUSIVE ***

ALL GRAPHICS PROVIDED ARE FOR REFERENCE ONLY. IF CERTAIN DIMENSIONS ARE CRITICAL PLEASE VERIFY THOSE DIMENSIONS WITH YOUR SALESPERSON



3D VIEW FOR REFERENCE ONLY

STANDARD FEATURES

MODEL NUMBER IS FHS-6-10
 CAPACITY IS 6,000 LBS.
 BASE WIDTH IS 65 1/2"
 OVERALL HEIGHT IS 129 5/16"
 OVERALL I-BEAM LENGTH IS 119 3/4"
 USABLE I-BEAM LENGTH IS 89 3/4"
 UNDER I-BEAM HEIGHT IS 121"
 I-BEAM HEIGHT IS 8 1/8"
 (4) Ø8" PHENOLIC SWIVEL CASTERS
 WITH FOUR LOCKING POSITIONS

ADDITIONAL OPTIONS

| MANUAL TROLLIES | | | |
|---------------------|---------------------|---------------------|---------------------|
| 1,000 # CAPACITY | 2,000 # CAPACITY | 4,000 # CAPACITY | 6,000 # CAPACITY |
| QIT-1 | QIT-2 | QIT-4 | QIT-6 |
| E-MT-1 | E-MT-2 | E-MT-4 | E-MT-6 |
| E-MT-1-C | E-MT-2-C | E-MT-4-C | E-MT-6-C |

**CAPACITY OF ATTACHMENTS MAY
 DERATE CAPACITY OF GANTRY CRANE

APPROVAL

I, THE UNDERSIGNED, AGREE THAT THE PRODUCT AS REPRESENTED SATISFIES DESIGN AND DIMENSION REQUIREMENTS. I ALSO ACKNOWLEDGE MY DUTY TO CONFIRM PRODUCT AND INSTALLATION COMPLIANCE WITH ALL APPLICABLE FEDERAL, STATE AND LOCAL REGULATIONS AND STANDARDS.
ALL SPECIAL UNITS ARE NON-RETURNABLE
 As drawn As marked

Signed: _____ Date: _____

LEAD TIME WILL START UPON RECEIPT
 OF SIGNED APPROVAL DRAWING

| | | |
|----------------------|------------|------------|
| DISTRIBUTOR'S NAME: | | P.O.# |
| VESTIL MANUFACTURING | | X |
| DRAWN BY: | DATE: | W.O.# |
| MTS | 08/18/2014 | X |
| REFERENCE: | SCALE: | SALES: |
| X | 1:45 | X |
| QUOTED LEAD TIME: | QUOTE # | FILE NAME: |
| X | X | 28-007-356 |