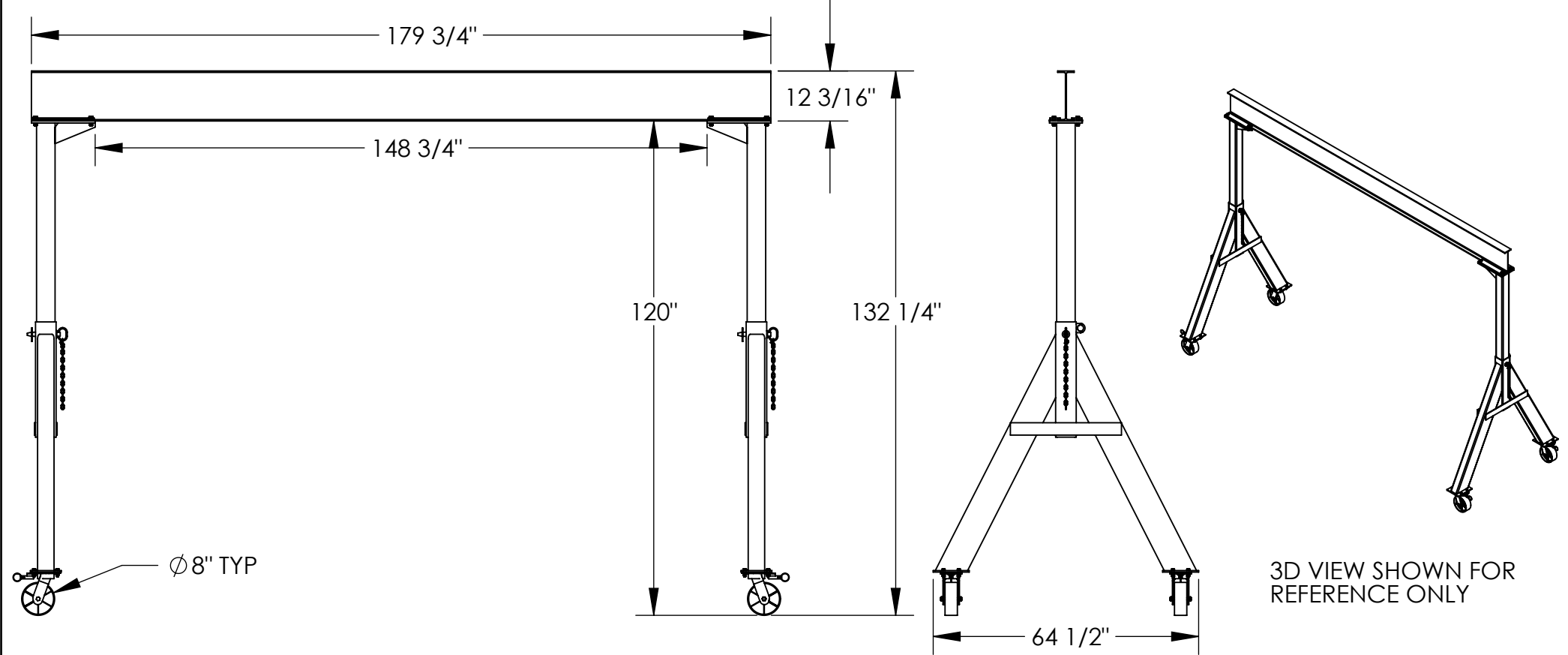


FIXED GANTRY CRANE - FHS-10-15

APPROX WEIGHT: 1029.04 lbs.
DOES NOT INCLUDE WEIGHT OF POWER OR PACKAGING!!!

*** ANY ADDITIONS, DELETIONS, OR OMISSIONS MUST BE CORRECTED ON THIS DRAWING AS THIS DRAWING WILL BE CONSIDERED ALL INCLUSIVE ***

ALL GRAPHICS PROVIDED ARE FOR REFERENCE ONLY. IF CERTAIN DIMENSIONS ARE CRITICAL PLEASE VERIFY THOSE DIMENSIONS WITH YOUR SALESPERSON



STANDARD FEATURES

- MODEL NUMBER IS FHS-10-15
- CAPACITY IS 10,000 LBS.
- BASE WIDTH IS 64 1/2"
- OVERALL HEIGHT IS 132 1/4"
- OVERALL I-BEAM LENGTH IS 179 3/4"
- USABLE I-BEAM LENGTH IS 148 3/4"
- UNDER I-BEAM HEIGHT IS 120"
- I-BEAM HEIGHT IS 12 3/16"
- (4) Ø8" STEEL SWIVEL CASTERS WITH FOUR LOCKING POSITIONS

SPECIAL FEATURES

NONE

ADDITIONAL OPTIONS

MANUAL TROLLIES		
1,000 # CAPACITY	2,000 # CAPACITY	4,000 # CAPACITY
QIT-1	QIT-2	QIT-4
E-MT-1	E-MT-2	E-MT-4
E-MT-1-C	E-MT-2-C	E-MT-4-C
6,000 # CAPACITY	8,000 # CAPACITY	10,000 # CAPACITY
QIT-6	QIT-8	QIT-10
E-MT-6	E-MT-8	E-MT-10
E-MT-6-C	E-MT-8-C	E-MT-10-C

**CAPACITY OF ATTACHMENTS MAY DERATE CAPACITY OF GANTRY CRANE

I, THE UNDERSIGNED, AGREE THAT THE PRODUCT AS REPRESENTED SATISFIES DESIGN AND DIMENSION REQUIREMENTS. I ALSO ACKNOWLEDGE MY DUTY TO CONFIRM PRODUCT AND INSTALLATION COMPLIANCE WITH ALL APPLICABLE FEDERAL, STATE AND LOCAL REGULATIONS AND STANDARDS.

ALL SPECIAL UNITS ARE NON-RETURNABLE
 As drawn As marked

Signed: _____ Date: _____

LEAD TIME WILL START UPON RECEIPT OF SIGNED APPROVAL DRAWING

APPROVAL	DISTRIBUTOR'S NAME:		P.O.#
	VESTIL MANUFACTURING		X
	DRAWN BY: ND		W.O.#
	DATE: 10/7/09		X
REFERENCE: X		SCALE: 1:35	SALES: X
QUOTED LEAD TIME: X		QUOTE #	FILE NAME:
		X	28-007-363