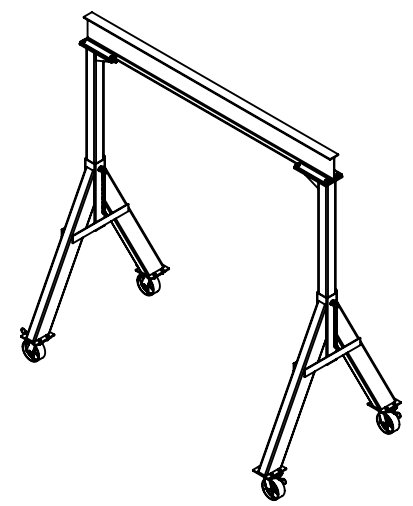
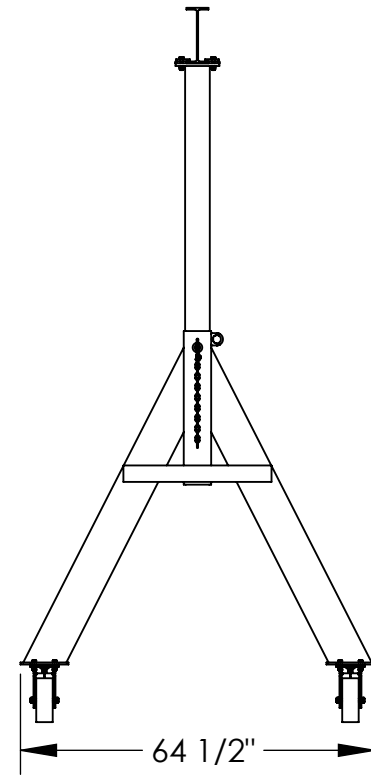
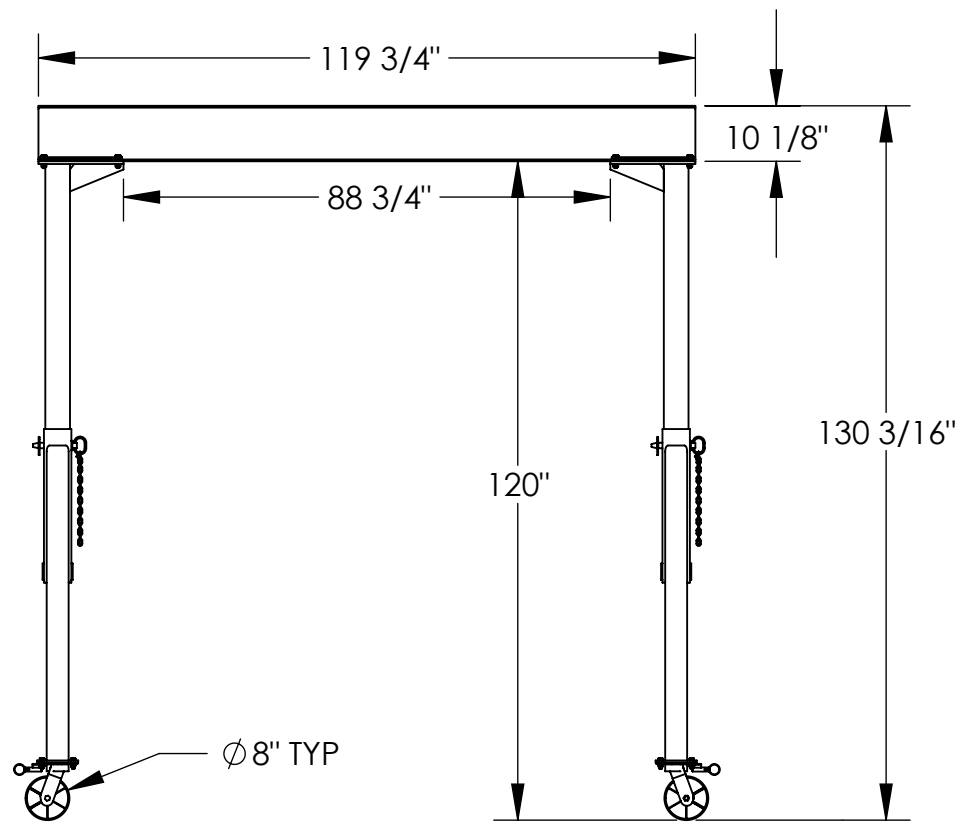


FIXED STEEL GANTRY CRANE - FHS-10-10

APPROX WEIGHT: 914.43 lbs.
 DOES NOT INCLUDE WEIGHT OF POWER OR PACKAGING!!!

*** ANY ADDITIONS, DELETIONS, OR OMISSIONS MUST BE CORRECTED ON THIS DRAWING AS THIS DRAWING WILL BE CONSIDERED ALL INCLUSIVE ***
 ALL GRAPHICS PROVIDED ARE FOR REFERENCE ONLY. IF CERTAIN DIMENSIONS ARE CRITICAL PLEASE VERIFY THOSE DIMENSIONS WITH YOUR SALESPERSON



3D VIEW SHOWN FOR REFERENCE ONLY

STANDARD FEATURES

MODEL NUMBER IS FHS-10-10
 CAPACITY IS 10,000 LBS.
 BASE WIDTH IS 64 1/2"
 OVERALL HEIGHT IS 130 3/16"
 OVERALL I-BEAM LENGTH IS 119 3/4"
 USABLE I-BEAM LENGTH IS 88 3/4"
 UNDER I-BEAM HEIGHT IS 120"
 I-BEAM HEIGHT IS 10 1/8"
 (4) Ø8" STEEL SWIVEL CASTERS
 WITH FOUR LOCKING POSITIONS

ADDITIONAL OPTIONS

MANUAL TROLLIES		
1,000 # CAPACITY	2,000 # CAPACITY	4,000 # CAPACITY
QIT-1	QIT-2	QIT-4
E-MT-1	E-MT-2	E-MT-4
E-MT-1-C	E-MT-2-C	E-MT-4-C
6,000 # CAPACITY	8,000 # CAPACITY	10,000 # CAPACITY
QIT-6	QIT-8	QIT-10
E-MT-6	E-MT-8	E-MT-10
E-MT-6-C	E-MT-8-C	E-MT-10-C

I, THE UNDERSIGNED, AGREE THAT THE PRODUCT AS REPRESENTED SATISFIES DESIGN AND DIMENSION REQUIREMENTS. I ALSO ACKNOWLEDGE MY DUTY TO CONFIRM PRODUCT AND INSTALLATION COMPLIANCE WITH ALL APPLICABLE FEDERAL, STATE AND LOCAL REGULATIONS AND STANDARDS.

ALL SPECIAL UNITS ARE NON-RETURNABLE
 As drawn As marked

Signed: _____ Date: _____

LEAD TIME WILL START UPON RECEIPT OF SIGNED APPROVAL DRAWING

APPROVAL	DISTRIBUTOR'S NAME:		P.O.#
	VESTIL MANUFACTURING		X
	DRAWN BY: ND		W.O.#
	DATE: 10/7/09		X
REFERENCE: X		SCALE: 1:35	SALES: X
QUOTED LEAD TIME: X		QUOTE #	FILE NAME:
		X	28-007-362

SPECIAL FEATURES

NONE

**CAPACITY OF ATTACHMENTS MAY DERATE CAPACITY OF GANTRY CRANE