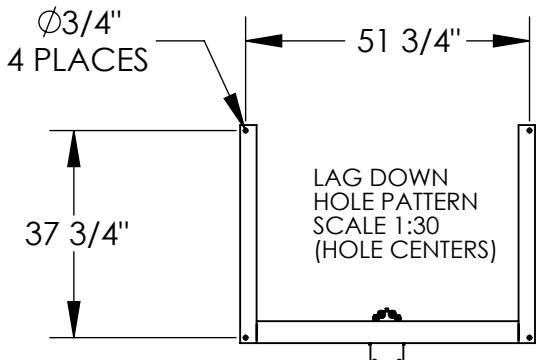
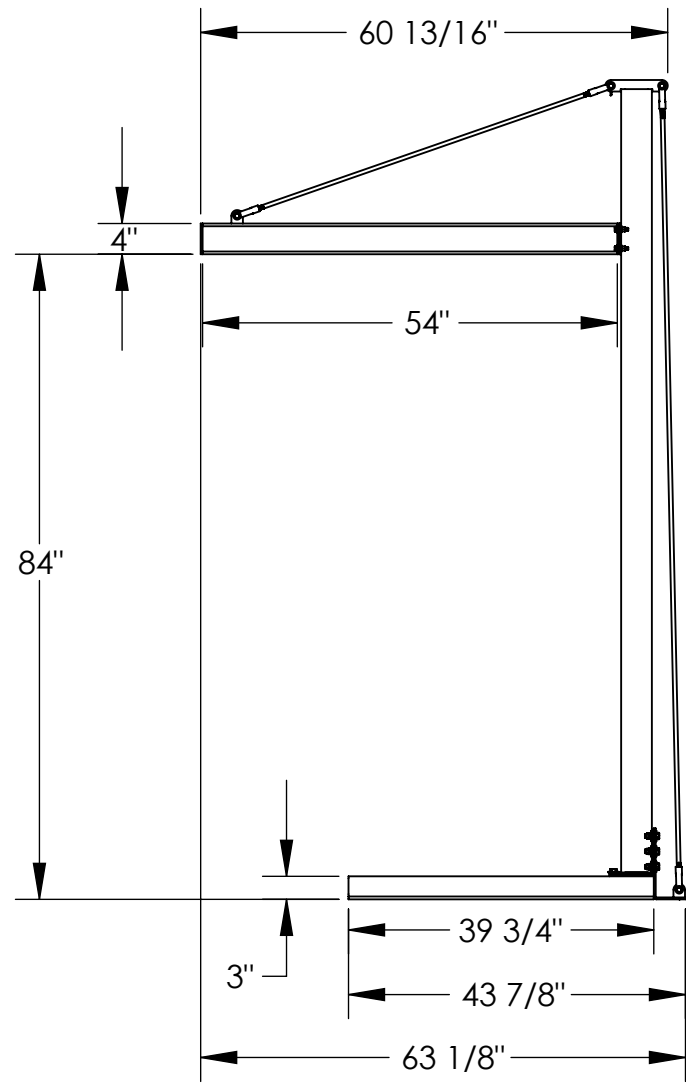
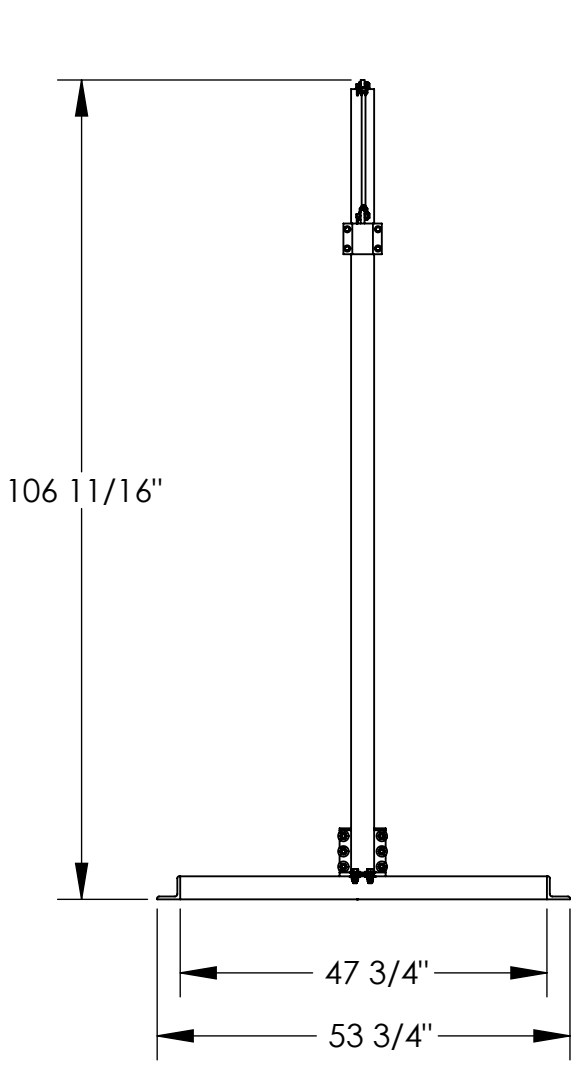


MINI OVERHEAD CANTILEVER JIB - CJIB-3

APPROX WEIGHT: 238.87 lbs.
 DOES NOT INCLUDE WEIGHT OF POWER OR PACKAGING!!!

ANY ADDITIONS, DELETIONS, OR OMISSIONS MUST BE CORRECTED ON THIS DRAWING AS THIS DRAWING WILL BE CONSIDERED ALL INCLUSIVE



ALL GRAPHICS PROVIDED ARE FOR REFERENCE ONLY. IF CERTAIN DIMENSIONS ARE CRITICAL PLEASE VERIFY THOSE DIMENSIONS WITH YOUR SALESPERSON

STANDARD FEATURES

- MODEL NUMBER IS CJIB-3
- CAPACITY IS 300 LBS.
- OVERALL WIDTH IS 53 3/4"
- STRADDLE WIDTH IS 47 3/4"
- OVERALL LENGTH IS 63 1/8"
- USABLE I-BEAM LENGTH IS 54"
- OVERALL HEIGHT IS 106 11/16"
- UNDER I-BEAM TO GROUND IS 84"
- I-BEAM HEIGHT IS 4"

NOTE:

SPECIAL FOUNDATION MAY BE REQUIRED: SEE OWNERS MANUAL FOR DETAILS

I, THE UNDERSIGNED, AGREE THAT THE PRODUCT AS REPRESENTED SATISFIES DESIGN AND DIMENSION REQUIREMENTS. I ALSO ACKNOWLEDGE MY DUTY TO CONFIRM PRODUCT AND INSTALLATION COMPLIANCE WITH ALL APPLICABLE FEDERAL, STATE AND LOCAL REGULATIONS AND STANDARDS.

ALL SPECIAL UNITS ARE NON-RETURNABLE

As drawn As marked

Signed: _____ Date: _____

LEAD TIME WILL START UPON RECEIPT OF SIGNED APPROVAL DRAWING

APPROVAL	DISTRIBUTOR'S NAME:		P.O.#
	VESTIL MANUFACTURING		X
	DRAWN BY: ND		W.O.#
	DATE: 1/30/2009		X
REFERENCE: X		SCALE: 1:25	SALES: X
QUOTED LEAD TIME: X		QUOTE #	FILE NAME:
		X	28-007-042