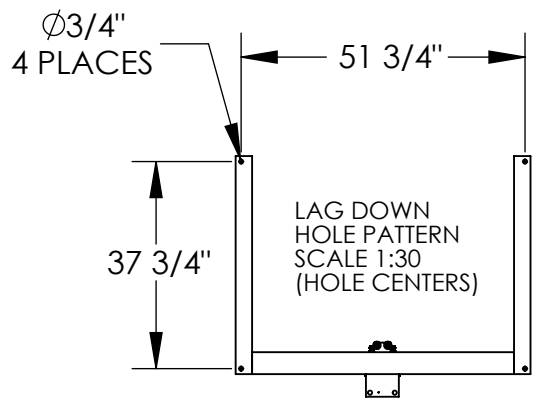
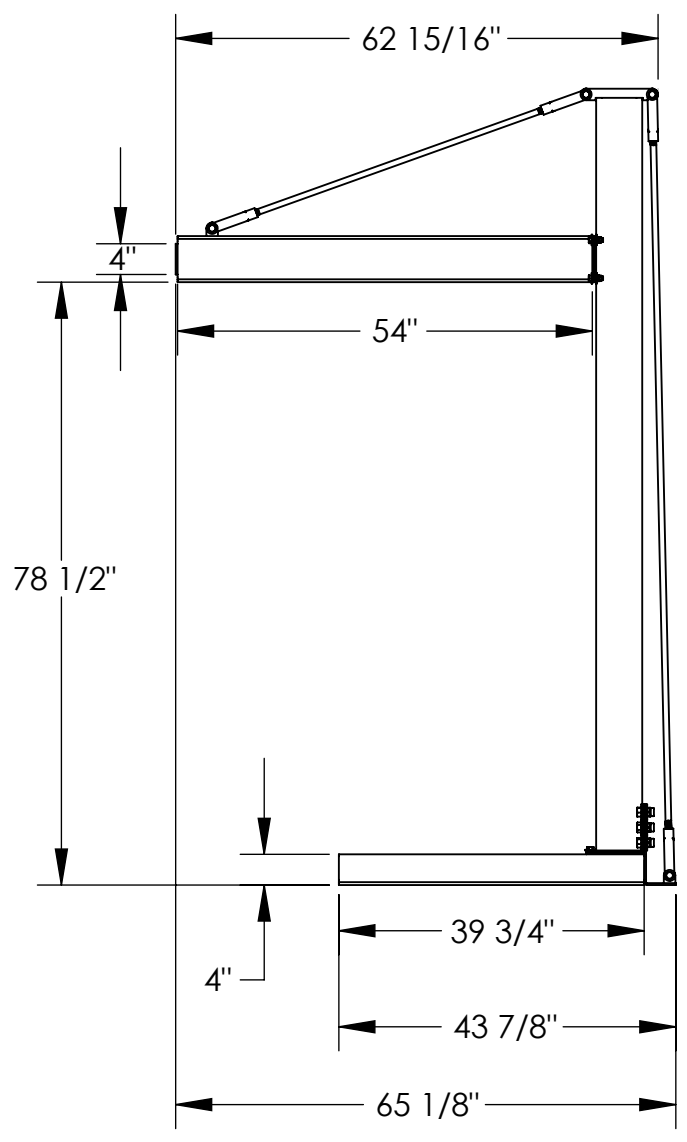
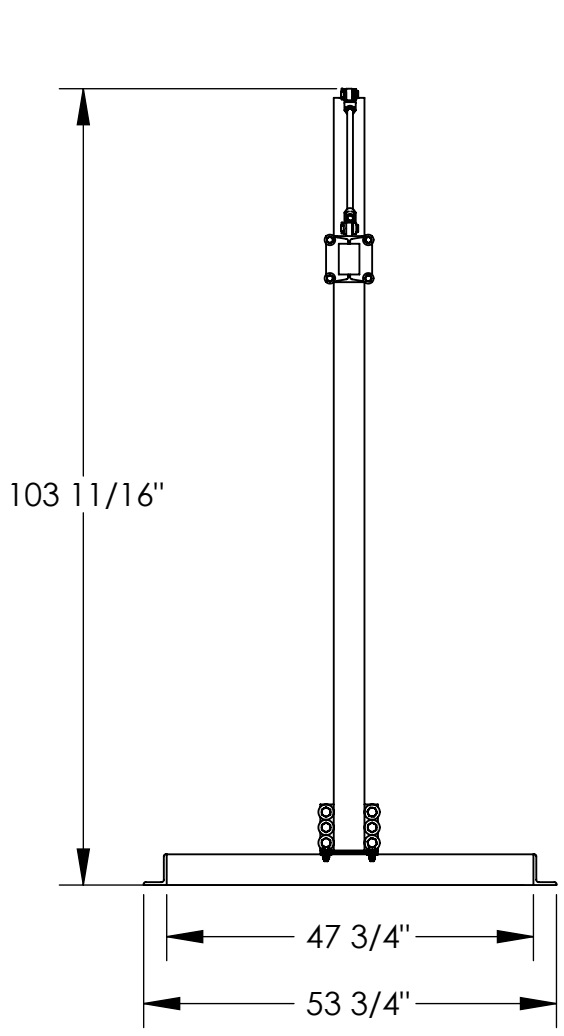


# MINI OVERHEAD CANTILEVER JIB - CJIB-10

APPROX WEIGHT: 428.79 lbs.  
DOES NOT INCLUDE WEIGHT OF POWER OR PACKAGING!!!

\*\*\*ANY ADDITIONS, DELETIONS, OR OMISSIONS MUST BE CORRECTED ON THIS DRAWING AS THIS DRAWING WILL BE CONSIDERED ALL INCLUSIVE\*\*\*



ALL GRAPHICS PROVIDED ARE FOR REFERENCE ONLY. IF CERTAIN DIMENSIONS ARE CRITICAL PLEASE VERIFY THOSE DIMENSIONS WITH YOUR SALESPERSON

## STANDARD FEATURES

- MODEL NUMBER IS CJIB-10
- CAPACITY IS 1000 LBS.
- OVERALL WIDTH IS 53 3/4"
- STRADDLE WIDTH IS 47 3/4"
- OVERALL LENGTH IS 65 1/8"
- USABLE I-BEAM LENGTH IS 54"
- OVERALL HEIGHT IS 103 11/16"
- UNDER I-BEAM TO GROUND IS 78 1/2"
- I-BEAM HEIGHT IS 6"

## NOTE:

SPECIAL FOUNDATION MAY BE REQUIRED: SEE OWNERS MANUAL FOR DETAILS

I, THE UNDERSIGNED, AGREE THAT THE PRODUCT AS REPRESENTED SATISFIES DESIGN AND DIMENSION REQUIREMENTS. I ALSO ACKNOWLEDGE MY DUTY TO CONFIRM PRODUCT AND INSTALLATION COMPLIANCE WITH ALL APPLICABLE FEDERAL, STATE AND LOCAL REGULATIONS AND STANDARDS.

**ALL SPECIAL UNITS ARE NON-RETURNABLE**

As drawn       As marked

Signed: \_\_\_\_\_ Date: \_\_\_\_\_

LEAD TIME WILL START UPON RECEIPT OF SIGNED APPROVAL DRAWING

DISTRIBUTOR'S NAME:	VESTIL MANUFACTURING		P.O.#	X	
			W.O.#	X	
DRAWN BY:	ND	DATE:	1/30/2009	SALES:	X
REFERENCE:	X	SCALE:	1:25	FILE NAME:	
QUOTED LEAD TIME:	X	QUOTE #	X		28-007-043-001