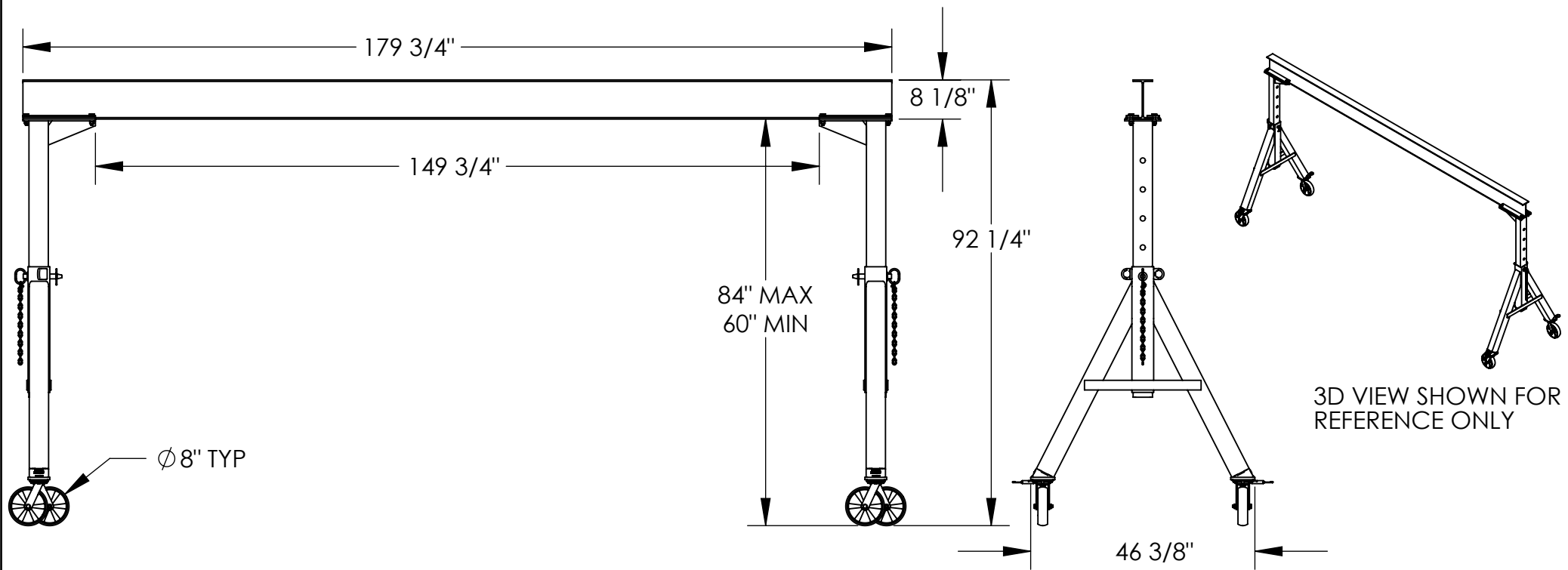


# ADJUSTABLE STEEL GANTRY CRANE - AHS-4-15-7

APPROX WEIGHT: 659.42 lbs. DOES NOT INCLUDE WEIGHT OF POWER OR PACKAGING!!!

\*\*\* ANY ADDITIONS, DELETIONS, OR OMISSIONS MUST BE CORRECTED ON THIS DRAWING AS THIS DRAWING WILL BE CONSIDERED ALL INCLUSIVE \*\*\*

ALL GRAPHICS PROVIDED ARE FOR REFERENCE ONLY. IF CERTAIN DIMENSIONS ARE CRITICAL PLEASE VERIFY THOSE DIMENSIONS WITH YOUR SALESPERSON



3D VIEW SHOWN FOR REFERENCE ONLY

## STANDARD FEATURES

- MODEL NUMBER IS AHS-4-15-7
- CAPACITY IS 4,000 LBS.
- BASE WIDTH IS 46 3/8"
- OVERALL HEIGHT IS 92 1/4"
- OVERALL I-BEAM LENGTH IS 179 3/4"
- USABLE I-BEAM LENGTH IS 149 3/4"
- ADJUSTABLE UNDER I-BEAM HEIGHT 60" MIN. TO 84" MAX.
- I-BEAM HEIGHT IS 8 1/8"
- (4) Ø8" SWIVEL CASTERS WITH FOUR LOCKING POSITIONS

## ADDITIONAL OPTIONS

| MANUAL TROLLIES  |                  |                  |
|------------------|------------------|------------------|
| 1,000 # CAPACITY | 2,000 # CAPACITY | 4,000 # CAPACITY |
| QIT-1            | QIT-2            | QIT-4            |
| E-MT-1           | E-MT-2           | E-MT-4           |
| E-MT-1-C         | E-MT-2-C         | E-MT-4-C         |

APPROVAL

I, THE UNDERSIGNED, AGREE THAT THE PRODUCT AS REPRESENTED SATISFIES DESIGN AND DIMENSION REQUIREMENTS. I ALSO ACKNOWLEDGE MY DUTY TO CONFIRM PRODUCT AND INSTALLATION COMPLIANCE WITH ALL APPLICABLE FEDERAL, STATE AND LOCAL REGULATIONS AND STANDARDS.

**ALL SPECIAL UNITS ARE NON-RETURNABLE**  
 As drawn     As marked

Signed: \_\_\_\_\_ Date: \_\_\_\_\_

LEAD TIME WILL START UPON RECEIPT OF SIGNED APPROVAL DRAWING

## SPECIAL FEATURES

NONE

\*\*CAPACITY OF ATTACHMENTS MAY DERATE CAPACITY OF GANTRY CRANE

|                      |                |            |
|----------------------|----------------|------------|
| DISTRIBUTOR'S NAME:  |                | P.O.#      |
| VESTIL MANUFACTURING |                | X          |
| DRAWN BY: ND         | DATE: 10/12/09 | W.O.#      |
| REFERENCE: X         | SCALE: 1:30    | X          |
| QUOTED LEAD TIME: X  | QUOTE #        | FILE NAME: |
|                      | X              | 28-007-207 |