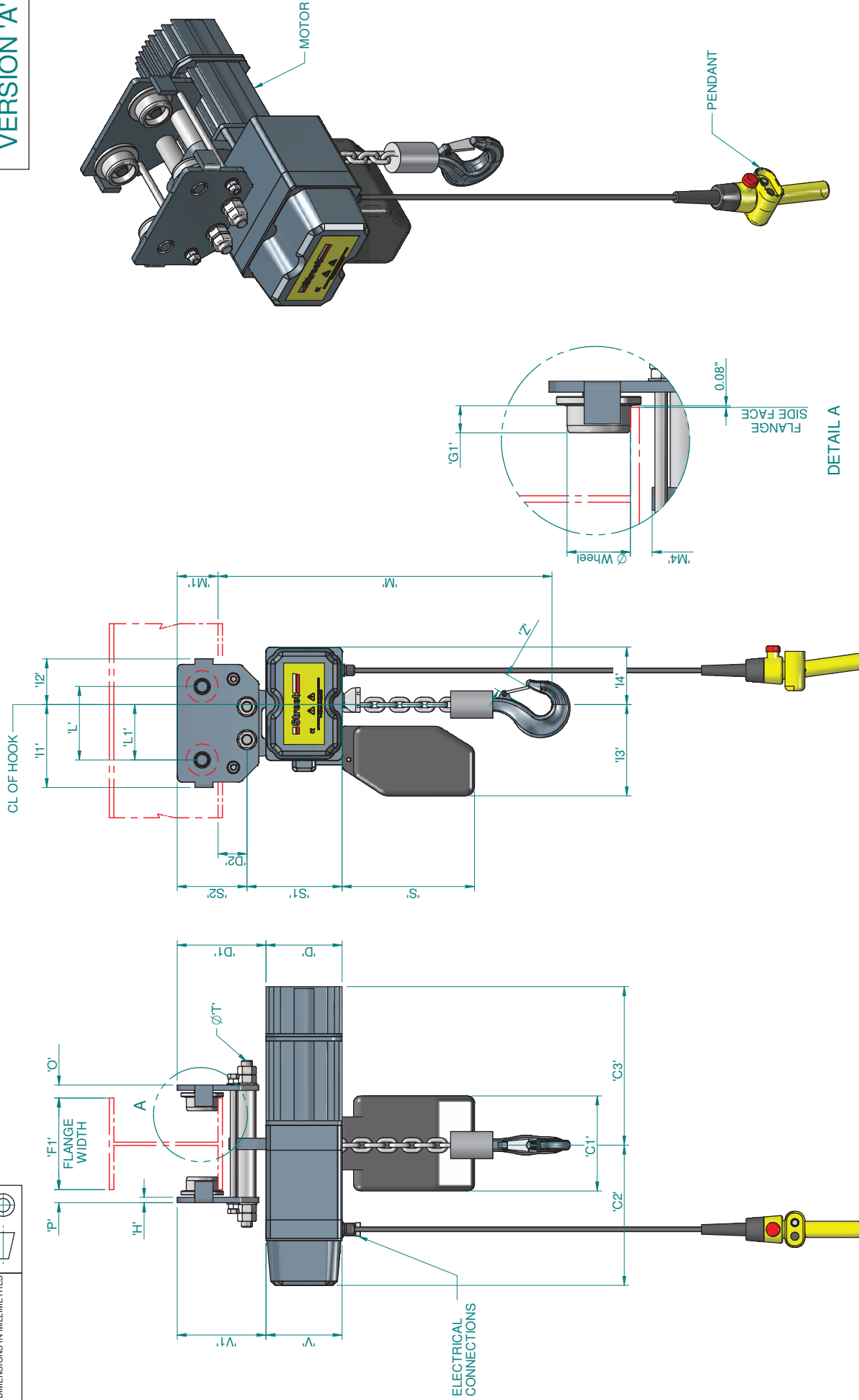


ALL DIMENSIONS IN MILLIMETRES

VERSION 'A'



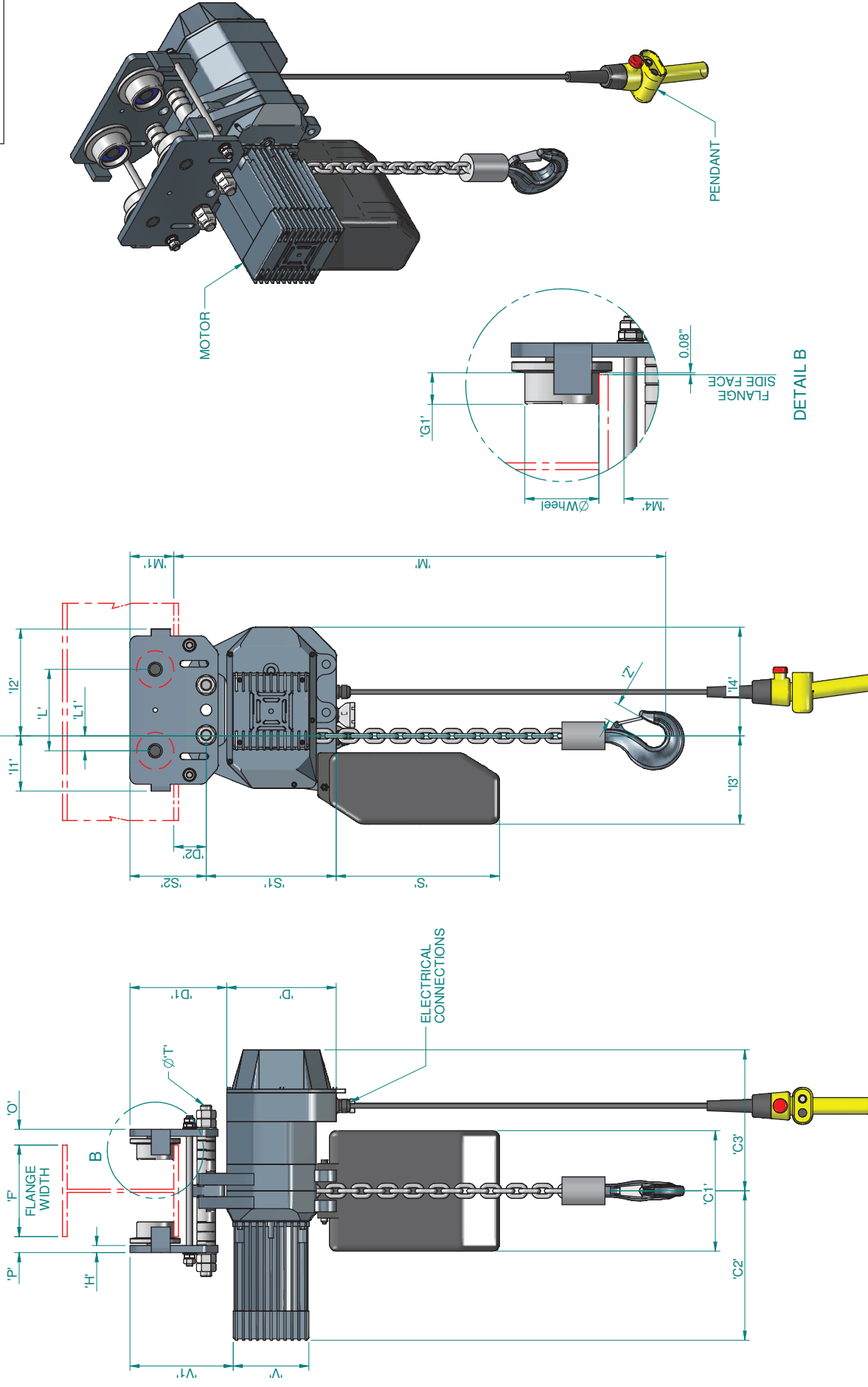
DETAIL A

Street Crane Co. Ltd		TITLE			CONTRACT No.	
C	DIM M4, MAX HOL ADDED. REF ECO-00562	MAP	24/02/2014	LX031 CHAIN HOIST USA DATA SHEET		DLX-1024
B	MODEL CODE UPDATED TO MATCH NEW PRICE LIST. REF ECO-00552	MAP	10/12/2013	PUSH TRAVEL (TYPE 'CS')		DLX-1024
REV	DESCRIPTION	BY	DATE	DRAWN	CHECKED	SCALE
			11/04/2011	SW	CR	NTS
INFRINGEMENT OF COPYRIGHT. THIS DRAWING IS THE PROPERTY OF STREET CRANE COMPANY LTD AND MUST NOT BE COPIED OR SHOWN TO THIRD PARTIES WITHOUT THE WRITTEN PERMISSION OF STREET CRANE CO LTD, CHAPEL-LE-FRITH, HIGH PEAK, SK23 0PH, U.K. . T : +44 (0)1288 814945 F : +44 (0)1288 814945						

ALL DIMENSIONS IN MILLIMETRES



VERSION 'B'



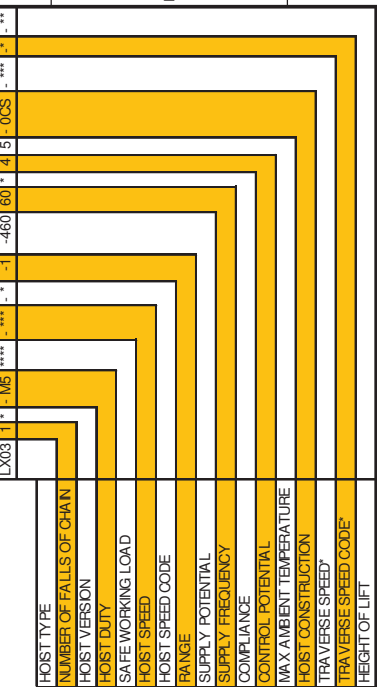
CONTRACT No.		DLX-1024	
PART No.		DLX-1024	
DRAWING No.		DLX-1024	
SHT 2		OF 4	

TITLE			
LX031 CHAIN HOIST USA DATA SHEET			
PUSH TRAVEL (TYPE 'CS')			
DATE		SCALE	
11/04/2011		NTS	
DRAWN		CHECKED	
SW		CR	
DATE		SCALE	
11/04/2011		NTS	
DESCRIPTION			
DIM M4, MAX HOL ADDED. REF ECO-00562			
MODEL CODE UPDATED TO MATCH NEW PRICE LIST. REF ECO-00552			
BY			
DATE		SCALE	
11/04/2011		NTS	
INFRINGEMENT OF COPYRIGHT. THIS DRAWING IS THE PROPERTY OF STREET CRANE COMPANY LTD AND MUST NOT BE COPIED OR SHOWN TO THIRD PARTIES WITHOUT THE WRITTEN PERMISSION OF STREET CRANE CO LTD, CHAPEL-LE-FRITH, HIGH PEAK, SK23 0PH, U.K. . T : +44 (0)1288 812456 F : +44 (0)1288 814945			

ALL DIMENSIONS IN MILLIMETRES		1		2		3		4		5		6		7		8																				
LX031 CHAIN HOIST PUSH TRAVEL (TYPE 'CS') - Range 1																																				
Street Crane Model ref	Version	Capacity lb	Speed ft/min	Power HP	Falls of Chain	C1	C2	C3	D	D1	D2	F1 min	F1 max	G1	H	I1	I2	I3	I4	L	L1	M	M1	M4	O	P	S	S1	S2	ØT	V	V1	Ø	Z	Max HOL	Weight
LX031A-M51000-009-1	Version A	2205	31	3.2	1	0.39"	12.2"	13.78"	7.72"	7.72"	2.52"	2.87"	7.87"	1.18"	0.47"	7.2"	3.98"	7.95"	5"	6.38"	4.8"	19.669"	3.54"	0.98"	1.14"	1.14"	1.14"	11.5"	8.27"	6.06"	6.61"	7.72"	2.76"	1.38"	26"	206
LX031B-M51000-014-1	Version B	2205	47	4.8	1	0.39"	10.24"	11.97"	8.23"	8.23"	2.76"	3.23"	7.87"	1.34"	0.59"	4.69"	9.09"	7.52"	9.25"	6.93"	4.8"	25.79"	3.74"	0.79"	1.34"	1.34"	1.34"	11.5"	8.27"	6.06"	6.61"	7.72"	2.76"	1.38"	26"	206
LX031A-M51000-029-2	Version A	2205	31/8	3.2/0.8	1	0.39"	8.27"	12.2"	7.72"	7.72"	2.52"	2.87"	7.87"	1.18"	0.47"	7.2"	3.98"	7.95"	5"	6.38"	4.8"	19.669"	3.54"	0.98"	1.14"	1.14"	1.14"	11.5"	8.27"	6.06"	6.61"	7.72"	2.76"	1.38"	26"	210
LX031B-M51000-314-2	Version B	2205	47/12	4.8/1.1	1	0.39"	10.24"	13.9"	8.23"	8.23"	2.76"	3.23"	7.87"	1.34"	0.59"	4.69"	9.09"	7.52"	9.25"	6.93"	4.8"	24.21"	3.74"	0.79"	1.34"	1.34"	1.34"	11.5"	8.27"	6.06"	6.61"	7.72"	2.76"	1.38"	26"	217
LX031A-M51500-004-1	Version A	3308	16	3.2	1	0.39"	8.27"	12.2"	7.72"	7.72"	2.52"	2.87"	7.87"	1.18"	0.47"	7.2"	3.98"	7.95"	5"	6.38"	4.8"	20.71"	3.54"	0.98"	1.14"	1.14"	1.14"	11.5"	8.27"	6.06"	6.61"	7.72"	2.76"	1.38"	26"	232
LX031B-M51500-009-1	Version B	3308	31	4.8	1	0.39"	10.24"	12.72"	8.23"	8.23"	2.76"	3.23"	7.87"	1.34"	0.59"	4.69"	9.09"	7.52"	9.25"	6.93"	4.8"	25.79"	3.74"	0.79"	1.34"	1.34"	1.34"	11.5"	8.27"	6.06"	6.61"	7.72"	2.76"	1.38"	26"	232
LX031B-M51500-014-2	Version B	3308	47	4.8	1	0.39"	10.24"	12.68"	8.23"	8.23"	2.76"	3.23"	7.87"	1.34"	0.59"	4.69"	9.09"	7.52"	9.25"	6.93"	4.8"	25.79"	3.74"	0.79"	1.34"	1.34"	1.34"	11.5"	8.27"	6.06"	6.61"	7.72"	2.76"	1.38"	26"	232
LX031A-M51500-014-2	Version A	3308	16/4	3.2/0.8	1	0.39"	8.27"	12.2"	7.72"	7.72"	2.52"	2.87"	7.87"	1.18"	0.47"	7.2"	3.98"	7.95"	5"	6.38"	4.8"	20.71"	3.54"	0.98"	1.14"	1.14"	1.14"	11.5"	8.27"	6.06"	6.61"	7.72"	2.76"	1.38"	26"	232
LX031B-M51500-029-2	Version B	3308	31/8	4.8/1.1	1	0.39"	10.24"	13.9"	8.23"	8.23"	2.76"	3.23"	7.87"	1.34"	0.59"	4.69"	9.09"	7.52"	9.25"	6.93"	4.8"	25.79"	3.74"	0.79"	1.34"	1.34"	1.34"	11.5"	8.27"	6.06"	6.61"	7.72"	2.76"	1.38"	26"	232
LX031B-M52000-004-1	Version A	4410	16	3.2	1	0.39"	8.27"	12.2"	7.72"	7.72"	2.52"	2.87"	7.87"	1.18"	0.47"	7.2"	3.98"	7.95"	5"	6.38"	4.8"	20.71"	3.54"	0.98"	1.14"	1.14"	1.14"	11.5"	8.27"	6.06"	6.61"	7.72"	2.76"	1.38"	26"	232
LX031A-M52000-014-2	Version A	4410	28	4.8	1	0.43"	10.24"	12.68"	8.23"	8.23"	2.76"	3.23"	7.87"	1.34"	0.59"	4.69"	9.09"	7.52"	9.25"	6.93"	4.8"	25.79"	3.74"	0.79"	1.34"	1.34"	1.34"	11.5"	8.27"	6.06"	6.61"	7.72"	2.76"	1.38"	26"	232
LX031A-M52000-014-2	Version A	4410	16/4	3.2/0.8	1	0.39"	8.27"	12.2"	7.72"	7.72"	2.52"	2.87"	7.87"	1.18"	0.47"	7.2"	3.98"	7.95"	5"	6.38"	4.8"	20.71"	3.54"	0.98"	1.14"	1.14"	1.14"	11.5"	8.27"	6.06"	6.61"	7.72"	2.76"	1.38"	26"	232
LX031B-M52000-029-2	Version B	4410	31/8	4.8/1.1	1	0.43"	10.24"	13.86"	8.23"	8.23"	2.76"	3.23"	7.87"	1.34"	0.79"	4.84"	8.94"	7.68"	9.09"	6.93"	4.8"	25.79"	3.74"	0.79"	1.34"	1.34"	1.34"	11.5"	8.27"	6.06"	6.61"	7.72"	2.76"	1.38"	26"	232
LX031B-M52000-029-2	Version B	4410	31/8	4.8/1.1	1	0.43"	10.24"	13.86"	8.23"	8.23"	2.76"	3.23"	7.87"	1.34"	0.79"	4.84"	8.94"	7.68"	9.09"	6.93"	4.8"	25.79"	3.74"	0.79"	1.34"	1.34"	1.34"	11.5"	8.27"	6.06"	6.61"	7.72"	2.76"	1.38"	26"	232

NOTE:
1) REFER RESPECTIVE VERSION FOR DIMENSIONS.

LX MODEL CODE BREAKDOWN



FURTHER INFORMATION:

- SUPPLY 460V 3PH 60 Hz
- HOIST IP RATING IP55
- CONTROL PANEL IP RATING IP65 CEI-EN
- CONTROL VOLTAGE 48V
- OPERATING TEMPERATURE: -4°F TO +122°F
- MOTORS CLASS F INSULATION
- OVERLOAD CLUTCH SET AT 120% OF SWL.
- DUTY:

SPEED	%CDF	'M' RATING	FEM CLASS	HMI CLASS
SINGLE	55	M5	2m	H4
DUAL	40/15	M5	2m	H4

9) HEIGHT OF LIFT (HOL) - 9'-10" (STD) TO MAX VALUE AS SPECIFIED IN THE TABLE. CAN BE ORDERED WITH 3'-3" INCREMENT.
10) ADDITIONAL HOL MAY REQUIRE LARGER CHAIN BUCKET. DIMENSIONS 'C1', 'I3', 'S' AND WEIGHT MAY VARY THAN STANDARD SIZE.

C		D		E		F	
DIM M4, MAX HOL ADDED. REF ECO-00562		MAP		TITLE		CONTRACT No.	
MODEL CODE UPDATED TO MATCH NEW PRICE LIST. REF ECO-00552		DATE		SCALE		PART No.	
DESCRIPTION		DATE		SCALE		DRAWING No.	
		BY		SW		C	
		11/04/2011		CR		DLX-1024	
		10/12/2013				DLX-1024	
		24/02/2014				DLX-1024	
						SHT3	
						OF 4	
LX031 CHAIN HOIST USA DATA SHEET							
PUSH TRAVEL (TYPE 'CS')							
Street Crane Co. Ltd							
CONTRACT No.							
PART No. DLX-1024							
DRAWING No. 3 DLX-1024							
C							
SHT3							
OF 4							
INFRINGEMENT OF COPYRIGHT. THIS DRAWING IS THE PROPERTY OF STREET CRANE COMPANY LTD AND MUST NOT BE COPIED OR SHOWN TO THIRD PARTIES WITHOUT THE WRITTEN PERMISSION OF STREET CRANE CO. LTD., CHAPEL-EN-LE-FRITH, HIGH PEAK, SK23 0PH, U.K. T: +44 (0)1288 812456 F: +44 (0)1288 819495							

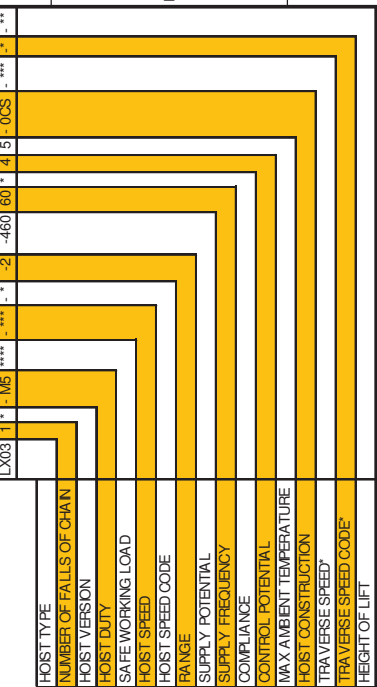
ALL DIMENSIONS IN MILLIMETRES

**LX031 CHAIN HOIST
PUSH TRAVEL (TYPE 'CS') - Range 2**

Street Crane Model ref	Version	Capacity lb	Speed ft/min	Power HP	Falls of Chain	Chain	β	C1	C2	C3	D	D1	D2	F1 min	F1 max	G1	H	I1	I2	I3	I4	L	L1	M	M1	M4	O	P	S	S1	S2	ØT	V	V1	φ	Z	Max HOL	Weight
LX031A-M51000-009-1	Version A	2205	31	3.2	1	0.39"	8.27"	12.2"	13.78"	13.78"	9.29"	8.23"	7.72"	7.91"	11.81"	1.34"	0.47"	7.2"	3.98"	7.95"	5"	6.38"	4.8"	19.69"	3.54"	0.98"	1.14"	1.14"	11.5"	8.27"	6.06"	0.94"	6.61"	7.72"	2.76"	1.38"	26"	206
LX031B-M51000-014-1	Version B	2205	47	4.8	1	0.39"	10.24"	12.72"	11.97"	11.97"	9.29"	8.23"	7.72"	7.91"	11.81"	1.34"	0.59"	4.69"	9.09"	7.52"	9.25"	6.93"	1.26"	25.79"	3.74"	0.79"	1.34"	1.34"	13.86"	11.02"	6.5"	0.94"	6.42"	8.78"	3.15"	1.38"	131"	265
LX031A-M51000-029-2	Version A	2205	31/8	3.2/0.8	1	0.39"	8.27"	12.2"	13.78"	13.78"	9.29"	8.23"	7.72"	7.91"	11.81"	1.34"	0.47"	7.2"	3.98"	7.95"	5"	6.38"	4.8"	19.69"	3.54"	0.98"	1.14"	1.14"	11.5"	8.27"	6.06"	0.94"	6.61"	7.72"	2.76"	1.38"	26"	210
LX031B-M51000-314-2	Version B	2205	47/12	4.8/1.1	1	0.39"	10.24"	13.9"	11.97"	11.97"	9.29"	8.23"	7.72"	7.91"	11.81"	1.34"	0.59"	4.69"	9.09"	7.52"	9.25"	6.93"	1.26"	24.21"	3.74"	0.79"	1.34"	1.34"	13.86"	11.02"	6.5"	0.94"	6.42"	8.78"	3.15"	1.38"	131"	217
LX031A-M51500-004-1	Version A	3308	16	3.2	1	0.39"	8.27"	12.2"	13.78"	13.78"	9.29"	8.23"	7.72"	7.91"	11.81"	1.38"	0.47"	7.2"	3.98"	7.95"	5"	6.38"	4.8"	20.71"	3.54"	0.98"	1.14"	1.14"	11.5"	8.27"	6.06"	0.94"	6.61"	7.72"	2.76"	1.38"	26"	232
LX031B-M51500-009-1	Version B	3308	31	4.8	1	0.39"	10.24"	12.72"	11.97"	11.97"	9.29"	8.23"	7.72"	7.91"	11.81"	1.34"	0.59"	4.69"	9.09"	7.52"	9.25"	6.93"	1.26"	25.79"	3.74"	0.79"	1.34"	1.34"	13.86"	11.02"	6.5"	0.94"	6.42"	8.78"	3.15"	1.38"	125"	265
LX031B-M51500-014-2	Version B	3308	47	4.8	1	0.39"	10.24"	12.68"	13.15"	13.15"	9.29"	8.23"	7.72"	7.91"	11.81"	1.34"	0.79"	4.84"	8.94"	7.68"	9.09"	6.93"	1.42"	25.79"	3.74"	0.79"	1.54"	1.54"	13.86"	11.02"	6.5"	0.94"	6.42"	8.78"	3.15"	1.38"	131"	265
LX031A-M51500-014-2	Version A	3308	16/4	3.2/0.8	1	0.39"	8.27"	12.2"	13.78"	13.78"	9.29"	8.23"	7.72"	7.91"	11.81"	1.38"	0.47"	7.2"	3.98"	7.95"	5"	6.38"	4.8"	20.71"	3.54"	0.98"	1.14"	1.14"	11.5"	8.27"	6.06"	0.94"	6.61"	7.72"	2.76"	1.38"	26"	232
LX031B-M51500-029-2	Version B	3308	31/8	4.8/1.1	1	0.39"	10.24"	13.86"	13.15"	13.15"	9.29"	8.23"	7.72"	7.91"	11.81"	1.34"	0.79"	4.84"	8.94"	7.68"	9.09"	6.93"	1.42"	25.79"	3.74"	0.79"	1.54"	1.54"	13.86"	11.02"	6.5"	0.94"	6.42"	8.78"	3.15"	1.38"	125"	265
LX031A-M52000-004-1	Version A	4410	16	3.2	1	0.39"	8.27"	12.2"	13.78"	13.78"	9.29"	8.23"	7.72"	7.91"	11.81"	1.38"	0.47"	7.2"	3.98"	7.95"	5"	6.38"	4.8"	20.71"	3.54"	0.98"	1.14"	1.14"	11.5"	8.27"	6.06"	0.94"	6.61"	7.72"	2.76"	1.38"	26"	232
LX031B-M52000-014-2	Version B	4410	28	4.8	1	0.43"	10.24"	12.68"	13.15"	13.15"	9.29"	8.23"	7.72"	7.91"	11.81"	1.34"	0.79"	4.84"	8.94"	7.68"	9.09"	6.93"	1.42"	25.79"	3.74"	0.79"	1.54"	1.54"	13.86"	11.02"	6.5"	0.94"	6.42"	8.78"	3.15"	1.38"	125"	265
LX031A-M52000-029-2	Version A	4410	16/4	3.2/0.8	1	0.39"	8.27"	12.2"	13.78"	13.78"	9.29"	8.23"	7.72"	7.91"	11.81"	1.38"	0.47"	7.2"	3.98"	7.95"	5"	6.38"	4.8"	20.71"	3.54"	0.98"	1.14"	1.14"	11.5"	8.27"	6.06"	0.94"	6.61"	7.72"	2.76"	1.38"	26"	232
LX031B-M52000-029-2	Version B	4410	31/8	4.8/1.1	1	0.43"	10.24"	13.86"	13.15"	13.15"	9.29"	8.23"	7.72"	7.91"	11.81"	1.34"	0.79"	4.84"	8.94"	7.68"	9.09"	6.93"	1.42"	25.79"	3.74"	0.79"	1.54"	1.54"	13.86"	11.02"	6.5"	0.94"	6.42"	8.78"	3.15"	1.38"	125"	276

NOTE:
1) REFER RESPECTIVE VERSION FOR DIMENSIONS.

LX MODEL CODE BREAKDOWN



FURTHER INFORMATION:

- SUPPLY 460V 3PH 60 Hz
- HOIST IP RATING IP55
- CONTROL PANEL IP RATING IP65 CEI-EN
- CONTROL VOLTAGE 48V
- OPERATING TEMPERATURE: -4°F TO +122°F
- MOTORS CLASS F INSULATION
- OVERLOAD CLUTCH SET AT 120% OF SWL.
- DUTY:

SPEED	%CDF	'M' RATING	FEM CLASS	HMI CLASS
SINGLE	55	M5	2m	H4
DUAL	40/15	M5	2m	H4

9) HEIGHT OF LIFT (HOL) - 9'-10" (STD) TO MAX VALUE AS SPECIFIED IN THE TABLE. CAN BE ORDERED WITH 3'-3" INCREMENT.
10) ADDITIONAL HOL MAY REQUIRE LARGER CHAIN BUCKET. DIMENSIONS 'C1', 'I3', 'S' AND WEIGHT MAY VARY THAN STANDARD SIZE.

C		B		REV		TITLE		CONTRACT No.	
DIM M4, MAX HOL ADDED. REF ECO-00562		MAP 24/02/2014		DATE 11/04/2011		Street Crane Co. Ltd		PART No. DLX-1024	
MODEL CODE UPDATED TO MATCH NEW PRICE LIST. REF ECO-00552		MAP 10/12/2013		DATE 11/04/2011		LX031 CHAIN HOIST USA DATA SHEET		DRAWING No. 3 DLX-1024	
DESCRIPTION		BY		SCALE		PUSH TRAVEL (TYPE 'CS')		C SHT 4 OF 4	
INFRINGEMENT OF COPYRIGHT. THIS DRAWING IS THE PROPERTY OF STREET CRANE COMPANY LTD AND MUST NOT BE COPIED OR SHOWN TO THIRD PARTIES WITHOUT THE WRITTEN PERMISSION OF STREET CRANE CO. LTD., CHAPEL-EN-LE-FRITH, HIGH PEAK, SK23 0PH, U.K. T: +44 (0)1288 812456 F: +44 (0)1288 819495		SW		CR		DLX-1024		C	