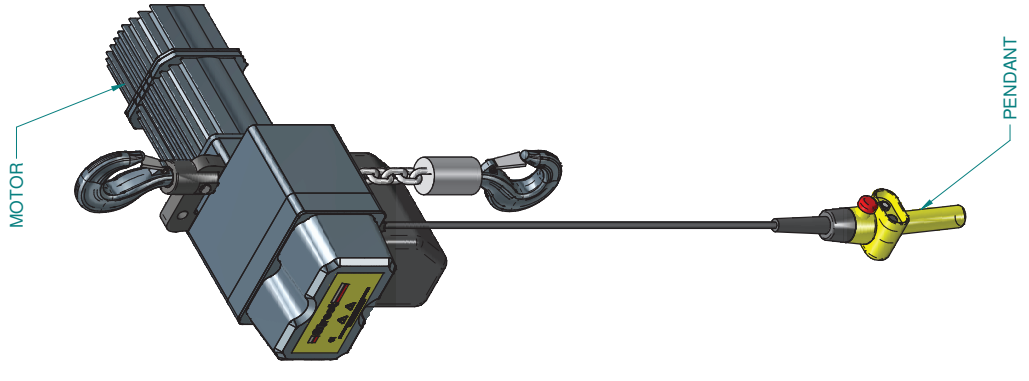
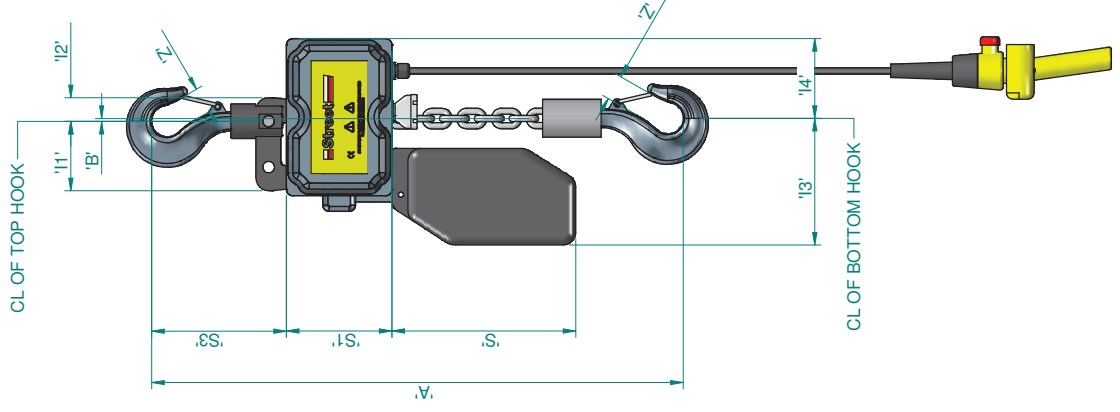
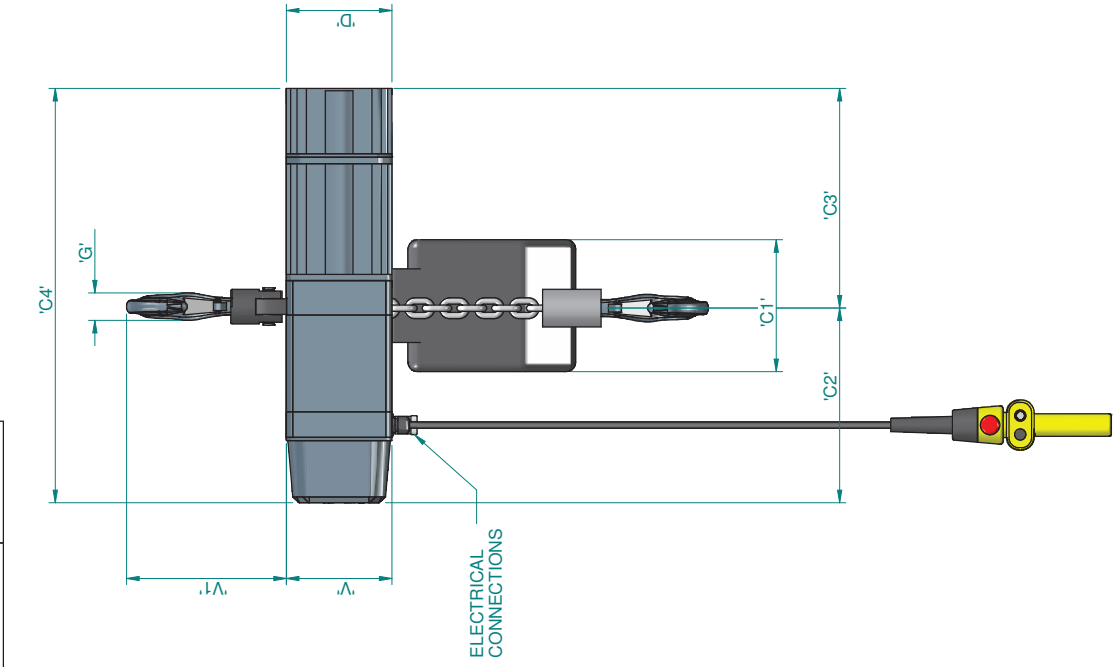


ALL DIMENSIONS IN MILLIMETRES



Street Crane Co. Ltd TITLE LX031 CHAIN HOIST USA DATA SHEET HOOK SUSPENSION (TYPE 'H')		CONTRACT No. DLX-1086	
MAP 25/02/2014 DATE 19/11/2011		DRAWING No. 3 DLX-1086	
MAP 10/12/2013 DATE 19/11/2011		DRAWING No. 3 DLX-1086	
BY DESCRIPTION		SHT-1 OF 2	
INFRINGEMENT OF COPYRIGHT. THIS DRAWING IS THE PROPERTY OF STREET CRANE COMPANY LTD AND MUST NOT BE COPIED OR SHOWN TO THIRD PARTIES WITHOUT THE WRITTEN PERMISSION OF STREET CRANE CO.LTD., CHAPEL-EN-LE-FRITH, HIGH PEAK, SK23 0PH, U.K. . T : +44 (0)1288 812456 F : +44 (0)1288 814945			

ALL DIMENSIONS IN MILLIMETRES



**LX031 CHAIN HOIST
HOOK SUSPENSION (TYPE 'H')**

Steet Crane Model ref	Capacity lb	Speed ft/min	Power HP	Falls of Chain	∅ Chain inch	A inch	B inch	C1 inch	C2 inch	C3 inch	C4 inch	D inch	I1 inch	I2 inch	I3 inch	I4 inch	S inch	S1 inch	S3 inch	G inch	V inch	V1 inch	Z inch	Max HOL ft	Weight lb
LX031A-M51000-009-1	2205	31	3.2	1	0.39"	24.37"	0.2"	8.27"	12.2"	13.78"	25.98"	6.61"	4.37"	1.5"	7.95"	5"	11.5"	6.61"	8.7"	1.73"	6.61"	10.28"	1.38"	26'	179
LX031A-M51000-029-2	2205	31/8	3.2/0.8	1	0.39"	24.37"	0.2"	8.27"	12.2"	13.78"	25.98"	6.61"	4.37"	1.5"	7.95"	5"	11.5"	6.61"	8.7"	1.73"	6.61"	10.28"	1.38"	26'	184
LX031A-M51500-004-1	3308	16	3.2	1	0.39"	25.39"	0.2"	8.27"	12.2"	13.78"	25.98"	6.61"	4.37"	1.5"	7.95"	5"	11.5"	6.61"	8.7"	1.73"	6.61"	10.28"	1.38"	26'	206
LX031A-M51500-014-2	3308	16/4	3.2/0.8	1	0.39"	25.39"	0.2"	8.27"	12.2"	13.78"	25.98"	6.61"	4.37"	1.5"	7.95"	5"	11.5"	6.61"	8.7"	1.73"	6.61"	10.28"	1.38"	26'	206
LX031A-M52000-004-1	4410	16	3.2	1	0.39"	25.39"	0.2"	8.27"	12.2"	13.78"	25.98"	6.61"	4.37"	1.5"	7.95"	5"	11.5"	6.61"	8.7"	1.73"	6.61"	10.28"	1.38"	26'	206
LX031A-M52000-014-2	4410	16/4	3.2/0.8	1	0.39"	25.39"	0.2"	8.27"	12.2"	13.78"	25.98"	6.61"	4.37"	1.5"	7.95"	5"	11.5"	6.61"	8.7"	1.73"	6.61"	10.28"	1.38"	26'	206

LX MODEL CODE BREAKDOWN

LX03	1	A	M5	000	0	-460	60	4	5	00H	1	1
HOIST TYPE												
NUMBER OF FALLS OF CHAIN												
HOIST VERSION												
HOIST DUTY												
SAFE WORKING LOAD												
HOIST SPEED												
HOIST SPEED CODE												
RANGE												
SUPPLY POTENTIAL												
SUPPLY FREQUENCY												
COMPLIANCE												
CONTROL POTENTIAL												
MAX AMBIENT TEMPERATURE												
HOIST CONSTRUCTION												
TRAVEL SPEED												
TRAVEL SPEED CODE												
HEIGHT OF LIFT												

FURTHER INFORMATION:

- 1) SUPPLY 460V 3PH 60 Hz
- 2) HOIST IP RATING IP55
- 3) CONTROL PANEL IP RATING IP65 CEI-EN
- 4) CONTROL VOLTAGE 48V
- 5) OPERATING TEMPERATURE: -4°F TO +122°F
- 6) MOTORS CLASS F INSULATION
- 7) OVERLOAD CLUTCH SET AT 120% OF SWL.
- 8) DUTY:

SPEED	%CDF	'M' RATING	FEM CLASS
SINGLE	55	M5	2m
DUAL	40/15	M5	2m

9) HEIGHT OF LIFT (HOL) - 9'-10" (STD) TO MAX VALUE AS SPECIFIED IN THE TABLE. CAN BE ORDERED WITH 3'-3" INCREMENT
10) ADDITIONAL HOL MAY REQUIRE LARGER CHAIN BUCKET. DIMENSIONS 'C1','I3','S' AND WEIGHT MAY VARY THAN STANDARD SIZE.

Street Crane Co. Ltd		TITLE	
C	MAX HOL COLUMN ADDED. REF ECO-00562	MAP	25/02/2014
B	MODEL CODE UPDATED TO MATCH NEW PRICE LIST. REF ECO-00562	MAP	10/12/2013
REV	DESCRIPTION	BY	DATE
		SW	19/11/2011
		CR	
		DRAWN	CHECKED
		SCALE	SCALE
		LX031 CHAIN HOIST USA DATA SHEET	
		HOOK SUSPENSION (TYPE 'H')	
		PART No.	DLX-1086
		DRAWING No.	3
		C	SHT.2
		C	OF 2

CONTRACT No. PART No. DLX-1086
DRAWING No. 3 DLX-1086 C
SHT.2 OF 2