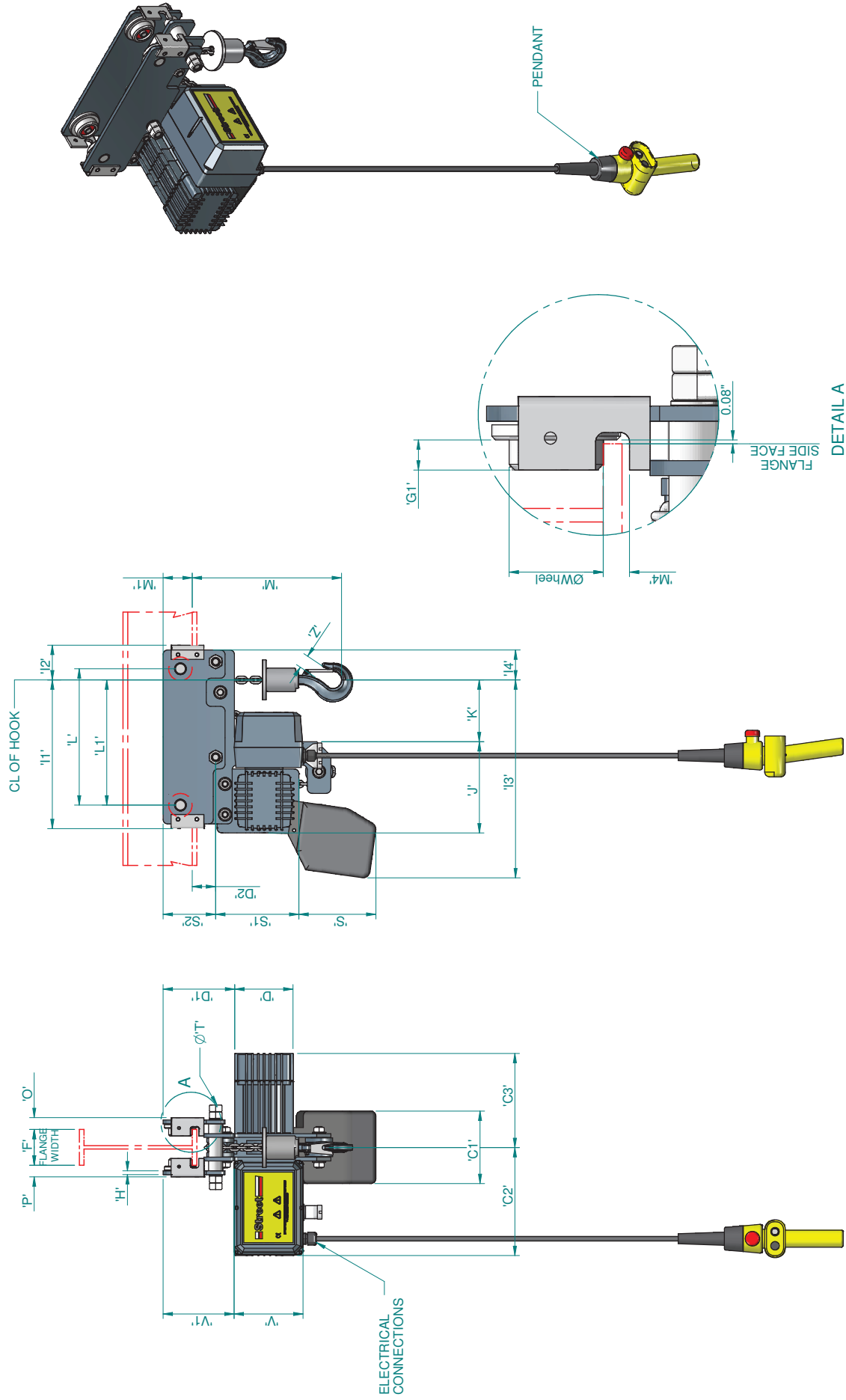


ALL DIMENSIONS IN MILLIMETRES

VERSION 'A'

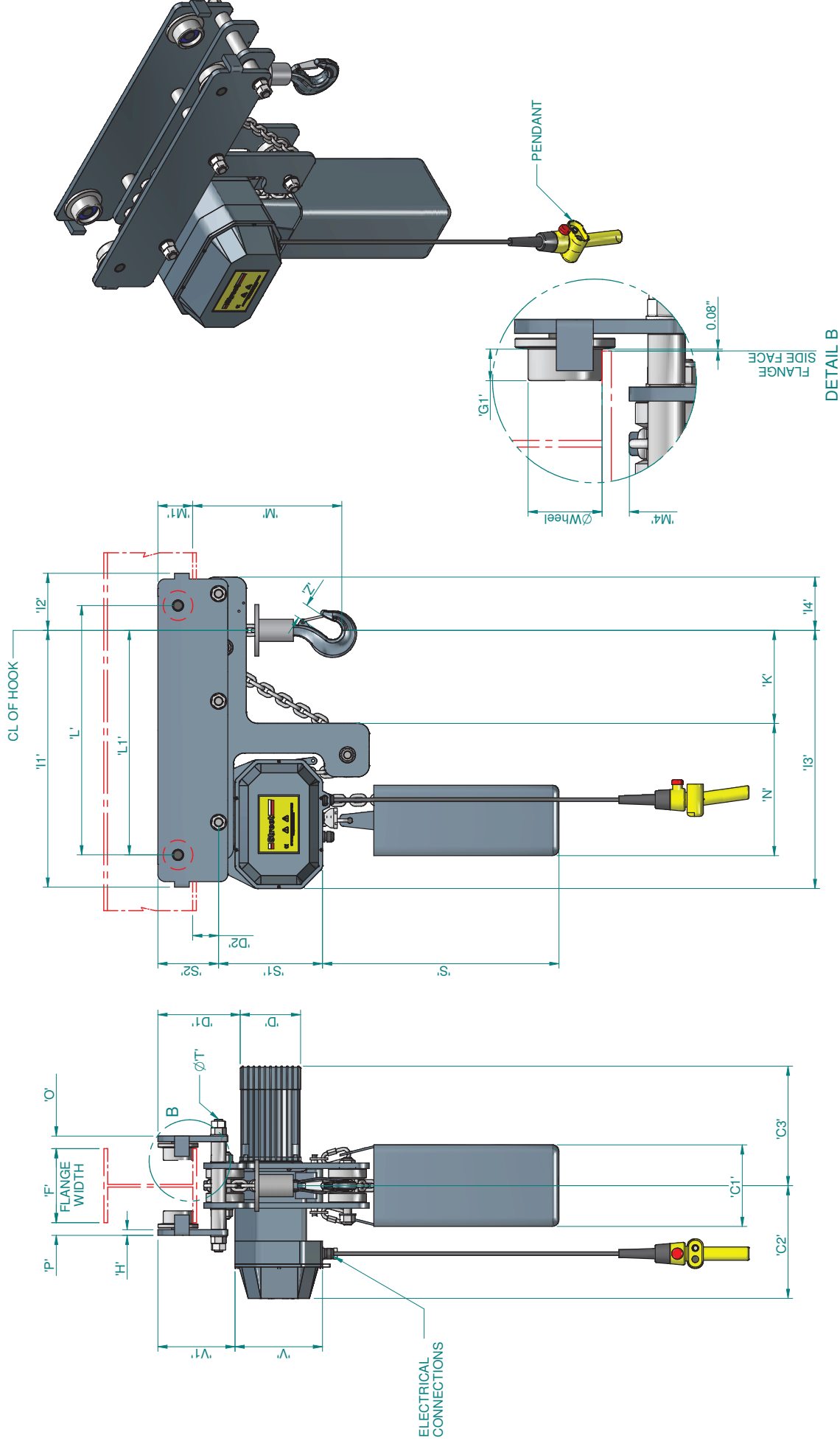


D	DIM M4, MAX HOL ADDED, MODEL CODES UPDATED, LX011A, M51000-011-1 & LX011A, M51000-026-2, MODELS DELETED, REF ECO-00562	MAP	27/05/2014	Street Crane Co. Ltd			TITLE			CONTRACT No.		
	C	MODEL CODE UPDATED TO MATCH NEW PRICE LIST, REF ECO-00552	MAP	10/12/2013	LX011/LX031 CHAIN HOIST USA DATA SHEET			PART No.			DLX-1029	
B	LX031-M52000, MODELS ADDED, REF: ECO-00528	GDM	15/10/2013	DATE	DRAWN	CHECKED	SCALE	DRAWING No.			DLX-1029	
REV	DESCRIPTION	BY	DATE	11/04/2011	SW	CR	NTS	SHT-1			D	
INFRINGEMENT OF COPYRIGHT. THIS DRAWING IS THE PROPERTY OF STREET CRANE COMPANY LTD AND MUST NOT BE COPIED OR SHOWN TO THIRD PARTIES WITHOUT THE WRITTEN PERMISSION OF STREET CRANE CO.LTD., CHAPEL-EN-LE-FRITH, HIGH PEAK, SK23 0PH, U.K. . T : +44 (0)1288 812456 F : +44 (0)1288 814945											SHT-1	OF 3

ALL DIMENSIONS IN MILLIMETRES



VERSION 'B'



D	DIM M4, MAX HOL ADDED, MODEL CODES UPDATED, LX011A, M51000-011-1 & LX011A, M51000-028-2, MODELS DELETED, REF ECO-00552	MAP	27/05/2014	Street Crane Co. Ltd			TITLE			CONTRACT No.	DLX-1029
	C	MODEL CODE UPDATED TO MATCH NEW PRICE LIST, REF ECO-00552	MAP	10/12/2013	DATE	DRAWN	CHECKED	SCALE	PART No.	DLX-1029	
B	LX081-M52000, MODELS ADDED, REF ECO-00528	GDM	15/10/2013	DATE	SW	CR	NTS	DRAWING No.	3	DLX-1029	
REV	DESCRIPTION	BY	DATE	11/04/2011	SW	CR	NTS	SHT.2	D	OF 3	
<p>INFRINGEMENT OF COPYRIGHT. THIS DRAWING IS THE PROPERTY OF STREET CRANE COMPANY LTD AND MUST NOT BE COPIED OR SHOWN TO THIRD PARTIES WITHOUT THE WRITTEN PERMISSION OF STREET CRANE CO LTD, CHAPEL-EN-LE-FRITH, HIGH PEAK, SK23 0PH, U.K. . T : +44 (0)1288 812456 F : +44 (0)1288 814945</p>											

