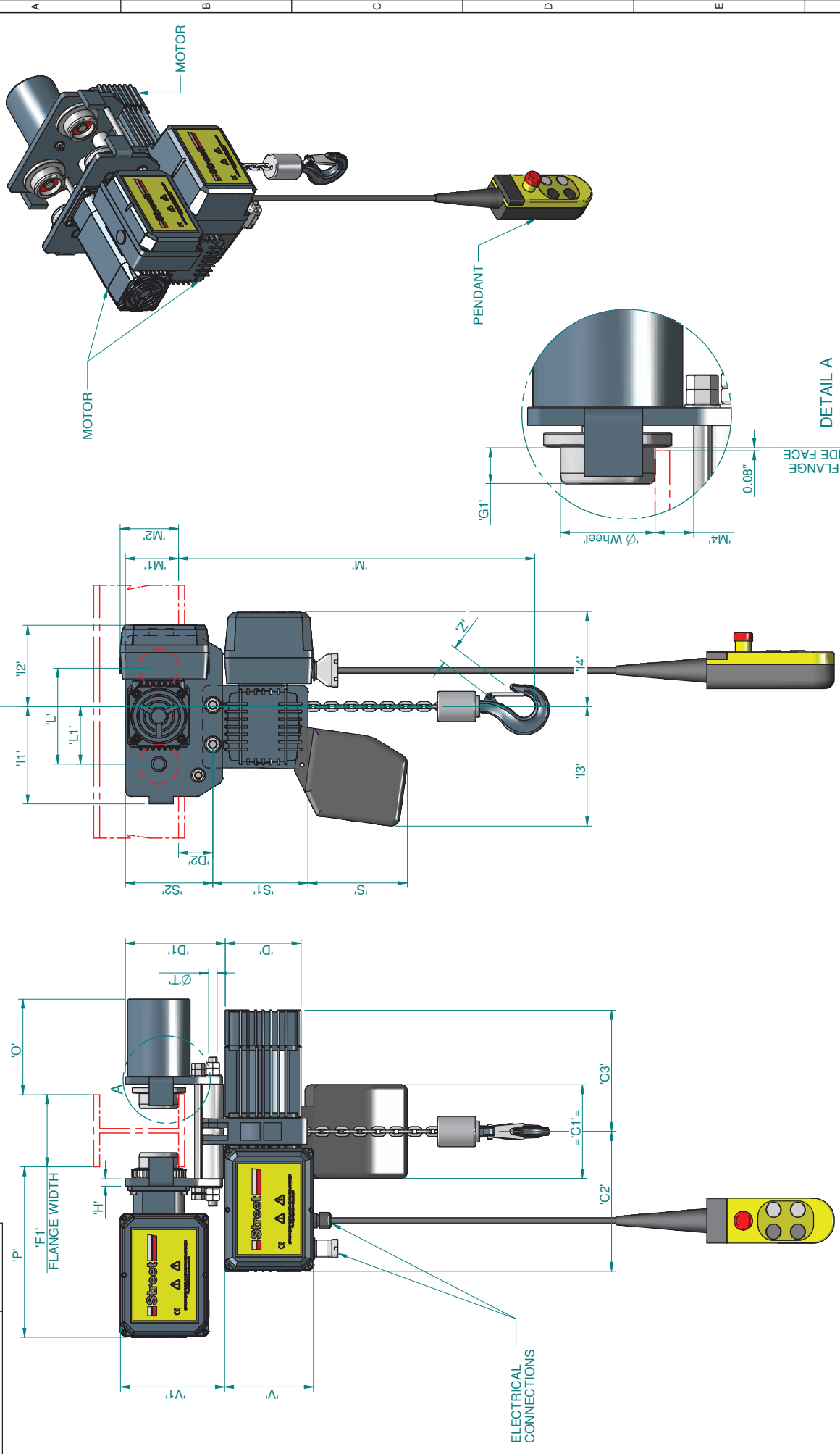


ALL DIMENSIONS IN MILLIMETRES



CONTRACT No.		DLX-1025	
PART No.		DLX-1025	
DRAWING No.		3	
SHT 1 OF 4		C	
SHT 1 OF 4		C	

TITLE		Street Crane Co. Ltd	
LX011 CHAIN HOIST USA DATA SHEET		ELECTRIC TRAVEL (TYPE 'CE')	
DATE	11/04/2011	CHECKED	NTS
DRAWN	SW	OR	CR
MAP	27/05/2014	BY	MAP
BY	10/12/2013	DATE	11/04/2011

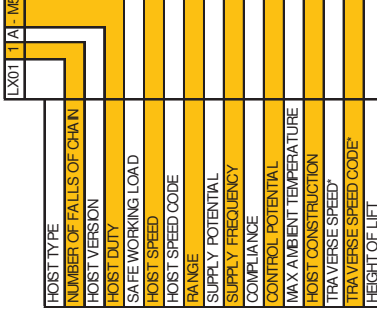
DESCRIPTION		INFRINGEMENT OF COPYRIGHT. THIS DRAWING IS THE PROPERTY OF STREET CRANE COMPANY LTD AND MUST NOT BE COPIED OR SHOWN TO THIRD PARTIES WITHOUT THE WRITTEN PERMISSION OF STREET CRANE CO LTD, CHAPEL-LE-FRITH, HIGH PEAK, SK23 0PH. U.K. . T : +44 (0)1288 812456 F : +44 (0)1288 814945	
-------------	--	--	--



Steer Crane Model ref	Capacity lb	Speed ft/min	Power HP	Falls of Chain	C1	C2	C3	D	D1	D2	F1 min	F1 max	G1	H	I1	I2	I3	I4	L	L1	M	M1	M2	M4	O	P	S	S1	S2	Ø T	V	V1	Ø	Z	Max Hol	Weight		
				inch	inch	inch	inch	inch	inch	inch	inch	inch	inch	inch	inch	inch	inch	inch	inch	inch	inch	inch	inch	inch	inch	inch	inch	inch	inch	inch	inch	inch	inch	inch	inch	inch	inch	lb
LX011A-M50125-006-1	276	22	0.8	1	0.16"	6.06"	9.06"	7.87"	4.92"	6.46"	2.24"	2.52"	6.3"	0.94"	6.22"	5.16"	7.64"	6.18"	6.22"	3.62"	14.76"	3.46"	3.78"	0.83"	6.14"	10.98"	6.46"	6.18"	6.67"	0.55"	5.79"	6.77"	2.56"	0.75"	30"	126		
LX011A-M50125-009-1	276	30	0.8	1	0.16"	6.06"	9.06"	7.87"	4.92"	6.46"	2.24"	2.52"	6.3"	0.94"	6.22"	5.16"	7.64"	6.18"	6.22"	3.62"	14.76"	3.46"	3.78"	0.83"	6.14"	10.98"	6.46"	6.18"	6.67"	0.55"	5.79"	6.77"	2.56"	0.75"	30"	126		
LX011A-M50125-018-1	276	60	1.6	1	0.16"	6.06"	9.06"	7.87"	4.92"	6.46"	2.24"	2.52"	6.3"	0.94"	6.22"	5.16"	7.64"	6.18"	6.22"	3.62"	14.76"	3.46"	3.78"	0.83"	6.14"	10.98"	6.46"	6.18"	6.67"	0.55"	5.79"	6.77"	2.56"	0.75"	30"	131		
LX011A-M50125-015-2	276	17/4	0.8/0.3	1	0.16"	6.06"	9.06"	7.87"	4.92"	6.46"	2.24"	2.52"	6.3"	0.94"	6.22"	5.16"	7.64"	6.18"	6.22"	3.62"	14.76"	3.46"	3.78"	0.83"	6.14"	10.98"	6.46"	6.18"	6.67"	0.55"	5.79"	6.77"	2.56"	0.75"	30"	131		
LX011A-M50125-028-2	276	29/7	0.8/0.3	1	0.16"	6.06"	9.06"	7.87"	4.92"	6.46"	2.24"	2.52"	6.3"	0.94"	6.22"	5.16"	7.64"	6.18"	6.22"	3.62"	14.76"	3.46"	3.78"	0.83"	6.14"	10.98"	6.46"	6.18"	6.67"	0.55"	5.79"	6.77"	2.56"	0.75"	30"	131		
LX011A-M50125-418-2	276	60/15	0.8/0.3	1	0.16"	6.06"	9.06"	7.87"	4.92"	6.46"	2.24"	2.52"	6.3"	0.94"	6.22"	5.16"	7.64"	6.18"	6.22"	3.62"	14.76"	3.46"	3.78"	0.83"	6.14"	10.98"	6.46"	6.18"	6.67"	0.55"	5.79"	6.77"	2.56"	0.75"	30"	131		
LX011A-M50250-006-1	552	22	0.8	1	0.16"	6.06"	9.06"	7.87"	4.92"	6.46"	2.24"	2.52"	6.3"	0.94"	6.22"	5.16"	7.64"	6.18"	6.22"	3.62"	14.76"	3.46"	3.78"	0.83"	6.14"	10.98"	6.46"	6.18"	6.67"	0.55"	5.79"	6.77"	2.56"	0.75"	30"	126		
LX011A-M50250-009-1	552	30	0.8	1	0.16"	6.06"	9.06"	7.87"	4.92"	6.46"	2.24"	2.52"	6.3"	0.94"	6.22"	5.16"	7.64"	6.18"	6.22"	3.62"	14.76"	3.46"	3.78"	0.83"	6.14"	10.98"	6.46"	6.18"	6.67"	0.55"	5.79"	6.77"	2.56"	0.75"	30"	126		
LX011A-M50250-014-1	552	47	1.6	1	0.2"	6.06"	9.06"	7.87"	4.92"	6.46"	2.24"	2.52"	6.3"	0.94"	6.22"	5.16"	7.64"	6.18"	6.22"	3.62"	14.76"	3.46"	3.78"	0.83"	6.14"	10.98"	6.46"	6.18"	6.67"	0.55"	5.79"	6.77"	2.56"	0.75"	30"	131		
LX011A-M50250-020-1	552	66	1.6	1	0.2"	6.06"	9.06"	7.87"	4.92"	6.46"	2.24"	2.52"	6.3"	0.94"	6.22"	5.16"	7.64"	6.18"	6.22"	3.62"	14.76"	3.46"	3.78"	0.83"	6.14"	10.98"	6.46"	6.18"	6.67"	0.55"	5.79"	6.77"	2.56"	0.75"	30"	131		
LX011A-M50250-015-2	552	17/4	0.8/0.3	1	0.16"	6.06"	9.06"	7.87"	4.92"	6.46"	2.24"	2.52"	6.3"	0.94"	6.22"	5.16"	7.64"	6.18"	6.22"	3.62"	14.76"	3.46"	3.78"	0.83"	6.14"	10.98"	6.46"	6.18"	6.67"	0.55"	5.79"	6.77"	2.56"	0.75"	30"	126		
LX011A-M50250-029-2	552	32/8	1.6/0.4	1	0.2"	6.06"	9.37"	8.7"	4.92"	6.85"	2.2"	2.52"	6.3"	0.94"	6.22"	5.08"	7.76"	6.38"	6.22"	3.74"	15.16"	3.46"	3.78"	0.83"	6.14"	10.98"	7.17"	6.57"	5.67"	6.02"	6.89"	2.56"	0.91"	30"	144			
LX011A-M50250-314-2	552	47/12	1.6/0.4	1	0.2"	6.06"	9.37"	8.7"	4.92"	6.85"	2.2"	2.52"	6.3"	0.94"	6.22"	5.08"	7.76"	6.38"	6.22"	3.74"	15.16"	3.46"	3.78"	0.83"	6.14"	10.98"	7.17"	6.57"	5.67"	6.02"	6.89"	2.56"	0.91"	30"	144			
LX011A-M50500-004-1	1103	24	1.3	1	0.2"	6.06"	9.06"	7.87"	4.92"	6.46"	2.24"	2.52"	6.3"	0.94"	6.22"	5.16"	7.64"	6.18"	6.22"	3.62"	14.76"	3.46"	3.78"	0.83"	6.14"	10.98"	6.46"	6.18"	6.67"	0.55"	5.79"	6.77"	2.56"	0.91"	30"	131		
LX011A-M50500-007-1	1103	24	1.3	1	0.2"	6.06"	9.06"	7.87"	4.92"	6.46"	2.24"	2.52"	6.3"	0.94"	6.22"	5.16"	7.64"	6.18"	6.22"	3.62"	14.76"	3.46"	3.78"	0.83"	6.14"	10.98"	6.46"	6.18"	6.67"	0.55"	5.79"	6.77"	2.56"	0.91"	30"	131		
LX011A-M50500-010-1	1103	33	1.6	1	0.2"	6.06"	9.37"	8.7"	4.92"	6.85"	2.2"	2.52"	6.3"	0.94"	6.22"	5.08"	7.76"	6.38"	6.22"	3.74"	15.35"	3.46"	3.78"	0.83"	6.14"	10.98"	7.17"	6.57"	5.67"	6.02"	6.89"	2.56"	0.91"	30"	144			
LX011A-M50500-014-1	1103	47	2.4	1	0.2"	6.06"	9.37"	8.7"	4.92"	6.85"	2.2"	2.52"	6.3"	0.94"	6.22"	5.08"	7.76"	6.38"	6.22"	3.74"	15.75"	3.46"	3.78"	0.83"	6.14"	10.98"	7.17"	6.57"	5.67"	6.02"	6.89"	2.56"	0.91"	30"	144			
LX011A-M50500-015-2	1103	19/5	1.6/0.4	1	0.2"	6.06"	9.37"	8.7"	4.92"	6.85"	2.2"	2.52"	6.3"	0.94"	6.22"	5.08"	7.76"	6.38"	6.22"	3.74"	15.75"	3.46"	3.78"	0.83"	6.14"	10.98"	7.17"	6.57"	5.67"	6.02"	6.89"	2.56"	0.91"	30"	144			
LX011A-M50500-029-2	1103	32/8	2.9/0.6	1	0.28"	4.84"	10.24"	9.13"	5.51"	6.85"	2.09"	2.87"	6.3"	1.18"	6.42"	4.76"	8.39"	6.46"	6.38"	4.02"	15.94"	3.9"	3.9"	0.91"	6.5"	11.02"	8.62"	7.13"	5.63"	0.71"	6.22"	6.97"	2.76"	1.14"	26"	164		
LX011A-M51000-009-1	2205	16	2.6	1	0.28"	4.84"	10.24"	9.13"	5.51"	6.85"	2.09"	2.87"	6.3"	1.18"	6.42"	4.76"	8.39"	6.46"	6.38"	4.02"	16.93"	3.54"	3.54"	0.91"	6.5"	11.02"	8.62"	7.13"	5.63"	0.71"	6.22"	6.97"	2.76"	1.14"	26"	164		
LX011A-M51000-008-1	2205	27	2.6	1	0.28"	4.84"	10.24"	9.13"	5.51"	6.85"	2.09"	2.87"	6.3"	1.18"	6.42"	4.76"	8.39"	6.46"	6.38"	4.02"	17.32"	3.54"	3.54"	0.91"	6.5"	11.02"	8.62"	7.13"	5.63"	0.71"	6.22"	6.97"	2.76"	1.14"	26"	164		
LX011A-M51000-015-2	2205	16/4	2.9/0.6	1	0.28"	4.84"	10.24"	9.13"	5.51"	6.85"	2.09"	2.87"	6.3"	1.18"	6.42"	4.76"	8.39"	6.46"	6.38"	4.02"	17.32"	3.54"	3.54"	0.91"	6.5"	11.02"	8.62"	7.13"	5.63"	0.71"	6.22"	6.97"	2.76"	1.14"	26"	164		

Contract No.	Part No.	DLX-1025
Drawing No.	DLX-1025	C
SHT2	OF 4	
<p>Street Crane Co. Ltd</p> <p>CONTRACT No. DLX-1025</p> <p>PART No. DLX-1025</p> <p>DRAWING No. 3 DLX-1025 C</p> <p>SHT2 OF 4</p>		
<p>Street Crane Co. Ltd</p> <p>LX011 CHAIN HOIST USA DATA SHEET</p> <p>ELECTRIC TRAVEL (TYPE 'CE')</p>		
<p>CONTRACT No. DLX-1025</p> <p>PART No. DLX-1025</p> <p>DRAWING No. 3 DLX-1025 C</p> <p>SHT2 OF 4</p>		

LX MODEL CODE BREAKDOWN

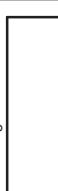


FURTHER INFORMATION:

- SUPPLY 480V 3PH 60 Hz
- HOIST IP RATING IP54
- CONTROL PANEL IP RATING IP65 CEI-EN
- CONTROL VOLTAGE 48V
- OPERATING TEMPERATURE: -4°F TO +122°F
- MOTORS CLASS F INSULATION
- OVERLOAD CLUTCH SET AT 115% OF SWL.
- DUTY:

SPEED	%CDF	'M' RATING	FEM CLASS	HMI CLASS
SINGLE	40	M5	2m	H4
DUAL	30/10	M5	2m	H4

9) HEIGHT OF LIFT (HOL) - 9'-10" (STD) TO MAX VALUE AS SPECIFIED IN THE TABLE. CAN BE ORDERED WITH 3'-3" INCREMENT.
 10) ADDITIONAL HOL MAY REQUIRE LARGER CHAIN BUCKET. DIMENSIONS 'C1', 'I3', 'S' AND WEIGHT MAY VARY THAN STANDARD SIZE.
 11) TROLLEY MOTOR SPEED - SINGLE SPEED AT 27.5ft/min OR DUAL SPEED AT 27.5/55ft/min
 TROLLEY MOTOR POWER - SINGLE SPEED AT 0.32HP OR DUAL SPEED AT 0.16/0.32HP



LX011 CHAIN HOIST
ELECTRIC TROLLEY (Type CE) - RANGE 2

Steel Crane Model/ref	Capacity lb	Speed ft/min	Power HP	Falls of Chain	C1	C2	C3	D	D1	D2	F1 min	F1 max	G1	G2	H	I1	I2	I3	I4	L	L1	M	M1	M2	M4	O	P	S	S1	S2	Ø T	V	V1	Ø	Z	Max Hol	Weight lb	
LX011A-M5012S-006-1	276	22	0.8	1	0.16"	6.06"	9.06"	7.87"	4.92"	6.46"	2.52"	7.87"	0.94"	0.67"	0.47"	6.22"	5.16"	7.64"	6.18"	6.22"	3.62"	14.76"	3.46"	3.78"	3.83"	6.14"	10.98"	6.46"	6.18"	6.18"	5.67"	5.79"	6.77"	2.56"	0.75"	30"	126	
LX011A-M5012S-009-1	276	30	0.8	1	0.16"	6.06"	9.06"	7.87"	4.92"	6.46"	2.52"	7.87"	0.94"	0.67"	0.47"	6.22"	5.16"	7.64"	6.18"	6.22"	3.62"	14.76"	3.46"	3.78"	3.83"	6.14"	10.98"	6.46"	6.18"	6.18"	5.67"	5.79"	6.77"	2.56"	0.75"	30"	126	
LX011A-M5012S-008-1	276	60	1.6	1	0.16"	6.06"	9.06"	7.87"	4.92"	6.46"	2.52"	7.87"	0.94"	0.67"	0.47"	6.22"	5.16"	7.64"	6.18"	6.22"	3.62"	14.76"	3.46"	3.78"	3.83"	6.14"	10.98"	6.46"	6.18"	6.18"	5.67"	5.79"	6.77"	2.56"	0.75"	30"	126	
LX011A-M5012S-015-2	276	17/4	0.8/0.3	1	0.16"	6.06"	9.06"	7.87"	4.92"	6.46"	2.52"	7.87"	0.94"	0.67"	0.47"	6.22"	5.16"	7.64"	6.18"	6.22"	3.62"	14.76"	3.46"	3.78"	3.83"	6.14"	10.98"	6.46"	6.18"	6.18"	5.67"	5.79"	6.77"	2.56"	0.75"	30"	126	
LX011A-M5012S-028-2	276	29/7	0.8/0.3	1	0.16"	6.06"	9.06"	7.87"	4.92"	6.46"	2.52"	7.87"	0.94"	0.67"	0.47"	6.22"	5.16"	7.64"	6.18"	6.22"	3.62"	14.76"	3.46"	3.78"	3.83"	6.14"	10.98"	6.46"	6.18"	6.18"	5.67"	5.79"	6.77"	2.56"	0.75"	30"	126	
LX011A-M5025S-418-2	276	60/15	0.8/0.3	1	0.16"	6.06"	9.06"	7.87"	4.92"	6.46"	2.52"	7.87"	0.94"	0.67"	0.47"	6.22"	5.16"	7.64"	6.18"	6.22"	3.62"	14.76"	3.46"	3.78"	3.83"	6.14"	10.98"	6.46"	6.18"	6.18"	5.67"	5.79"	6.77"	2.56"	0.75"	30"	126	
LX011A-M5025S-006-1	552	22	0.8	1	0.16"	6.06"	9.06"	7.87"	4.92"	6.46"	2.52"	7.87"	0.94"	0.67"	0.47"	6.22"	5.16"	7.64"	6.18"	6.22"	3.62"	14.76"	3.46"	3.78"	3.83"	6.14"	10.98"	6.46"	6.18"	6.18"	5.67"	5.79"	6.77"	2.56"	0.75"	30"	126	
LX011A-M5025S-009-1	552	30	0.8	1	0.16"	6.06"	9.06"	7.87"	4.92"	6.46"	2.52"	7.87"	0.94"	0.67"	0.47"	6.22"	5.16"	7.64"	6.18"	6.22"	3.62"	14.76"	3.46"	3.78"	3.83"	6.14"	10.98"	6.46"	6.18"	6.18"	5.67"	5.79"	6.77"	2.56"	0.75"	30"	126	
LX011A-M5025S-014-1	552	47	1.6	1	0.2"	6.06"	9.06"	7.87"	4.92"	6.46"	2.52"	7.87"	0.94"	0.67"	0.47"	6.22"	5.16"	7.64"	6.18"	6.22"	3.62"	14.76"	3.46"	3.78"	3.83"	6.14"	10.98"	6.46"	6.18"	6.18"	5.67"	5.79"	6.77"	2.56"	0.75"	30"	126	
LX011A-M5025S-020-1	552	66	1.6	1	0.2"	6.06"	9.06"	7.87"	4.92"	6.46"	2.52"	7.87"	0.94"	0.67"	0.47"	6.22"	5.16"	7.64"	6.18"	6.22"	3.62"	14.76"	3.46"	3.78"	3.83"	6.14"	10.98"	6.46"	6.18"	6.18"	5.67"	5.79"	6.77"	2.56"	0.75"	30"	126	
LX011A-M5025S-015-2	552	17/4	0.8/0.3	1	0.16"	6.06"	9.06"	7.87"	4.92"	6.46"	2.52"	7.87"	0.94"	0.67"	0.47"	6.22"	5.16"	7.64"	6.18"	6.22"	3.62"	14.76"	3.46"	3.78"	3.83"	6.14"	10.98"	6.46"	6.18"	6.18"	5.67"	5.79"	6.77"	2.56"	0.75"	30"	126	
LX011A-M5025S-029-2	552	32/8	1.6/0.4	1	0.2"	6.06"	9.37"	8.71"	4.92"	6.85"	2.2"	7.87"	0.94"	0.67"	0.47"	6.31"	5.08"	7.76"	6.38"	6.22"	3.74"	15.16"	3.46"	3.78"	3.83"	6.14"	10.98"	7.17"	6.57"	5.67"	6.02"	6.89"	2.56"	0.91"	30"	144		
LX011A-M5025S-314-2	552	47/12	1.6/0.4	1	0.2"	6.06"	9.37"	8.71"	4.92"	6.85"	2.2"	7.87"	0.94"	0.67"	0.47"	6.31"	5.08"	7.76"	6.38"	6.22"	3.74"	15.16"	3.46"	3.78"	3.83"	6.14"	10.98"	7.17"	6.57"	5.67"	6.02"	6.89"	2.56"	0.91"	30"	144		
LX011A-M5050S-004-1	1103	16	1.3	1	0.2"	6.06"	9.06"	7.87"	4.92"	6.46"	2.52"	7.87"	0.94"	0.67"	0.47"	6.31"	5.08"	7.76"	6.38"	10.08"	6.22"	3.74"	15.35"	3.46"	3.78"	3.83"	6.14"	10.98"	6.46"	6.18"	6.18"	5.67"	5.79"	6.77"	2.56"	0.91"	30"	131
LX011A-M5050S-007-1	1103	24	1.3	1	0.2"	6.06"	9.06"	7.87"	4.92"	6.46"	2.52"	7.87"	0.94"	0.67"	0.47"	6.31"	5.08"	7.76"	6.38"	10.08"	6.22"	3.74"	15.35"	3.46"	3.78"	3.83"	6.14"	10.98"	6.46"	6.18"	6.18"	5.67"	5.79"	6.77"	2.56"	0.91"	30"	131
LX011A-M5050S-010-1	1103	33	1.6	1	0.2"	6.06"	9.37"	8.71"	4.92"	6.85"	2.2"	7.87"	0.94"	0.67"	0.47"	6.31"	5.08"	7.76"	6.38"	6.22"	3.74"	15.75"	3.46"	3.78"	3.83"	6.14"	10.98"	7.17"	6.57"	5.67"	6.02"	6.89"	2.56"	0.91"	30"	144		
LX011A-M5050S-004-1	1103	47	2.4	1	0.2"	6.06"	9.37"	8.71"	4.92"	6.85"	2.2"	7.87"	0.94"	0.67"	0.47"	6.31"	5.08"	7.76"	6.38"	6.22"	3.74"	15.75"	3.46"	3.78"	3.83"	6.14"	10.98"	7.17"	6.57"	5.67"	6.02"	6.89"	2.56"	0.91"	30"	144		
LX011A-M5050S-015-2	1103	19/5	1.6/0.4	1	0.2"	6.06"	9.37"	8.71"	4.92"	6.85"	2.2"	7.87"	0.94"	0.67"	0.47"	6.31"	5.08"	7.76"	6.38"	6.22"	3.74"	15.75"	3.46"	3.78"	3.83"	6.14"	10.98"	7.17"	6.57"	5.67"	6.02"	6.89"	2.56"	0.91"	30"	144		
LX011A-M5050S-029-2	1103	32/8	2.9/0.6	1	0.28"	4.84"	10.24"	9.13"	5.51"	6.85"	2.09"	2.87"	1.18"	0.87"	0.47"	6.42"	4.76"	8.39"	6.46"	6.38"	4.02"	15.94"	3.91"	3.91"	3.91"	6.51"	11.02"	8.62"	7.13"	5.63"	0.71"	6.22"	6.97"	2.76"	1.14"	26"	164	
LX011A-M5100S-004-1	2205	16	1.6	1	0.28"	4.84"	10.24"	9.13"	5.51"	6.85"	2.09"	2.87"	1.18"	0.87"	0.47"	6.42"	4.76"	8.39"	6.46"	6.38"	4.02"	16.93"	3.54"	3.91"	3.91"	6.51"	11.02"	8.62"	7.13"	5.63"	0.71"	6.22"	6.97"	2.76"	1.14"	26"	164	
LX011A-M5100S-008-1	2205	27	2.6	1	0.28"	4.84"	10.24"	9.13"	5.51"	6.85"	2.09"	2.87"	1.18"	0.87"	0.47"	6.42"	4.76"	8.39"	6.46"	6.38"	4.02"	17.32"	3.54"	3.91"	3.91"	6.51"	11.02"	8.62"	7.13"	5.63"	0.71"	6.22"	6.97"	2.76"	1.14"	26"	164	
LX011A-M5100S-015-2	2205	16/4	2.9/0.6	1	0.28"	4.84"	10.24"	9.13"	5.51"	6.85"	2.09"	2.87"	1.18"	0.87"	0.47"	6.42"	4.76"	8.39"	6.46"	6.38"	4.02"	17.32"	3.54"	3.91"	3.91"	6.51"	11.02"	8.62"	7.13"	5.63"	0.71"	6.22"	6.97"	2.76"	1.14"	26"	164	

LX MODEL CODE BREAKDOWN

LX01	11A	M5	006	001	001	001	001	001	001	001	001	001	001	001	001	001	001	001	001	001	001	001	001	001	001	001	001	001	001	001	001	001	001	001	001	001	001	001	001
------	-----	----	-----	-----	-----	-----	-----	-----	-----	-----	-----	-----	-----	-----	-----	-----	-----	-----	-----	-----	-----	-----	-----	-----	-----	-----	-----	-----	-----	-----	-----	-----	-----	-----	-----	-----	-----	-----	-----

FURTHER INFORMATION:

- SUPPLY 480V 3PH 60 Hz
- HOIST IP RATING IP54
- CONTROL PANEL IP RATING IP65 CEI-EN
- CONTROL VOLTAGE 48V
- OPERATING TEMPERATURE: -4°F TO +122°F
- MOTORS CLASS F INSULATION
- OVERLOAD CLUTCH SET AT 115% OF SWL.
- DUTY:

SPEED	%CDF	'M' RATING	FEM CLASS	HMI CLASS
SINGLE	40	M5	2m	H4
DUAL	30/10	M5	2m	H4

9) HEIGHT OF LIFT (HOL) - 9'-10" (STD) TO MAX VALUE AS SPECIFIED IN THE TABLE. CAN BE ORDERED WITH 3'-3" INCREMENT.
 10) ADDITIONAL HOL MAY REQUIRE LARGER CHAIN BUCKET. DIMENSIONS 'C1', 'I3', 'S' AND WEIGHT MAY VARY THAN STANDARD SIZE.
 11) TROLLEY MOTOR SPEED - SINGLE SPEED AT 27.5ft/min OR 55ft/min OR DUAL SPEED AT 27.5/55ft/min
 TROLLEY MOTOR POWER - SINGLE SPEED AT 0.32HP OR DUAL SPEED AT 0.16/0.32HP

CONTRACT No. _____ PART No. DLX-1025
 DRAWING No. 3 DLX-1025 C
 SHT3 OF 4

