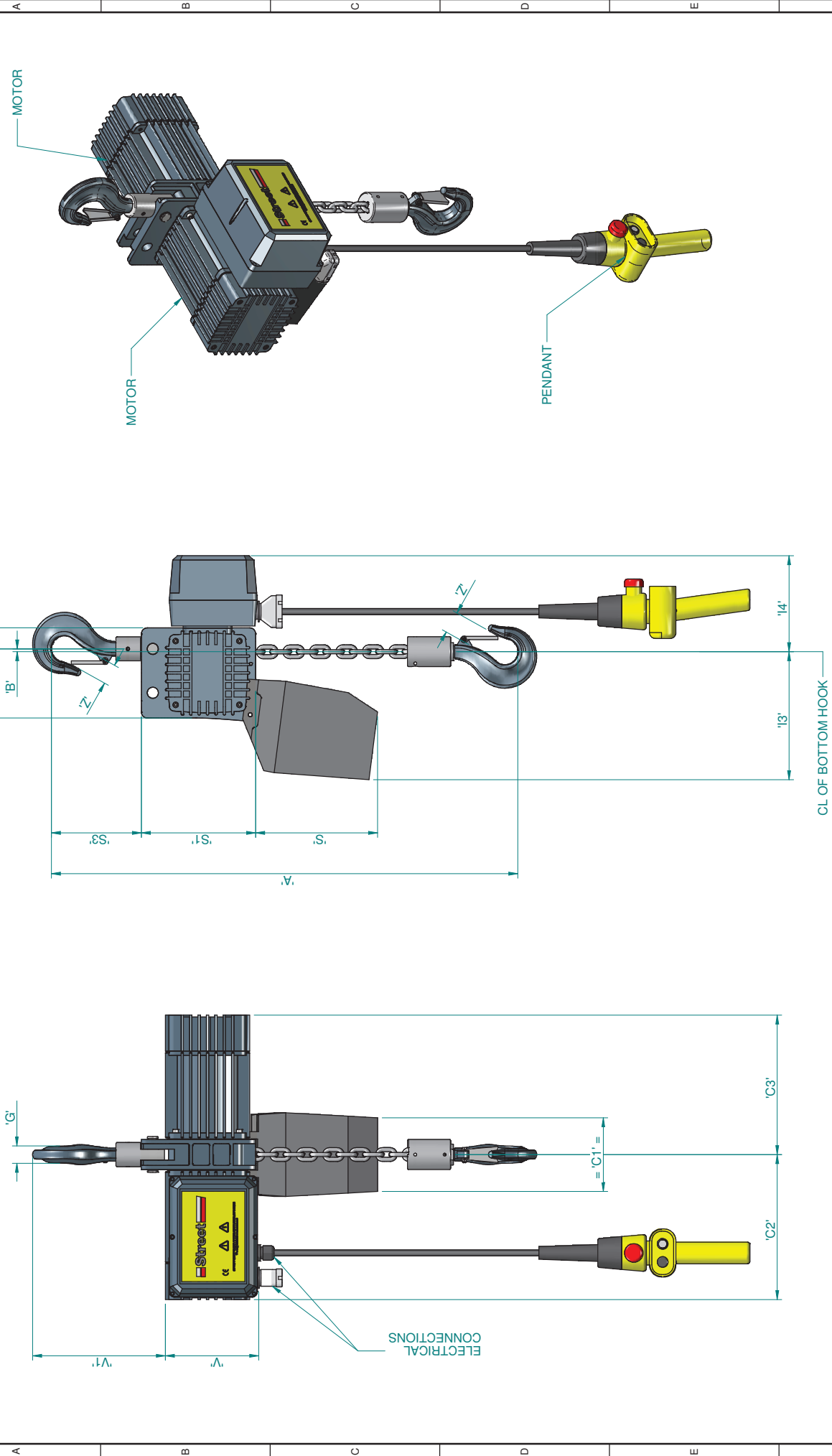


ALL DIMENSIONS IN MILLIMETRES



Street Crane Co. Ltd TITLE LX011 CHAIN HOIST USA DATA SHEET HOOK SUSPENSION (TYPE 'H')		CONTRACT No. DLX-1082	
DATE 12/11/2011		DRAWING No. DLX-1082	
MAP BY		PART No. DLX-1082	
DATE 29/05/2014		DRAWING No. DLX-1082	
MAP BY		SHT.1 OF 2	
MODEL CODE UPDATED TO MATCH NEW PRICE LIST. REF ECO-00552 MODEL CODES DELETED. REF ECO-00552 MAX. HOIST ADDRESS, MODEL CODES, UPDATES, WEIGHTS, DIMENSIONS, PARTS, MATERIALS, DELETED. REF ECO-00552		DRAWING No. DLX-1082	
DESCRIPTION INFRINGEMENT OF COPYRIGHT. THIS DRAWING IS THE PROPERTY OF STREET CRANE COMPANY LTD AND MUST NOT BE COPIED OR SHOWN TO THIRD PARTIES WITHOUT THE WRITTEN PERMISSION OF STREET CRANE CO. LTD., CHAPEL-LE-FRITH, HIGH PEAK, SK23 0PH, U.K. . T : +44 (0)1288 812456 F : +44 (0)1288 814945		DRAWING No. DLX-1082	

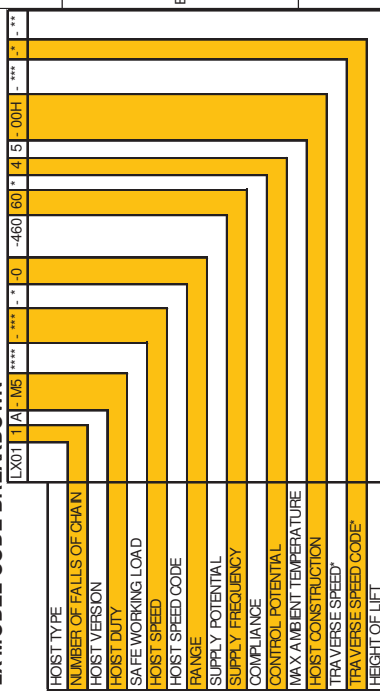
ALL DIMENSIONS IN MILLIMETRES



**LX011 CHAIN HOIST
HOOK SUSPENSION (TYPE 'H')**

Street Crane Model ref	Capacity lb	Speed ft/min	Power HP	Falls of Chain	Ø Chain inch	A inch	B inch	C1 inch	C2 inch	C3 inch	D inch	G inch	11 inch	12 inch	13 inch	14 inch	S inch	S1 inch	S3 inch	V inch	V1 inch	Z inch	Max HOL ft	Weight lb
LX011A-M50125-006-1	276	22	0.8	1	0.16"	16.93"	0.2"	6.06"	9.06"	7.87"	4.92"	0.87"	3.9"	1.46"	7.64"	6.22"	6.46"	6.85"	4.33"	5.79"	6.5"	0.75"	30'	64
LX011A-M50125-009-1	276	30	0.8	1	0.16"	16.93"	0.2"	6.06"	9.06"	7.87"	4.92"	0.87"	3.9"	1.46"	7.64"	6.22"	6.46"	6.85"	4.33"	5.79"	6.5"	0.75"	30'	64
LX011A-M50125-018-1	276	60	1.6	1	0.16"	16.93"	0.2"	6.06"	9.06"	7.87"	4.92"	0.87"	3.9"	1.46"	7.64"	6.22"	6.46"	6.85"	4.33"	5.79"	6.5"	0.75"	30'	69
LX011A-M50125-015-2	276	17/4	0.8/0.3	1	0.16"	16.93"	0.2"	6.06"	9.06"	7.87"	4.92"	0.87"	3.9"	1.46"	7.64"	6.22"	6.46"	6.85"	4.33"	5.79"	6.5"	0.75"	30'	64
LX011A-M50125-028-2	276	29/7	0.8/0.3	1	0.16"	16.93"	0.2"	6.06"	9.06"	7.87"	4.92"	0.87"	3.9"	1.46"	7.64"	6.22"	6.46"	6.85"	4.33"	5.79"	6.5"	0.75"	30'	69
LX011A-M50125-418-2	276	60/15	0.8/0.3	1	0.16"	16.93"	0.2"	6.06"	9.06"	7.87"	4.92"	0.87"	3.9"	1.46"	7.64"	6.22"	6.46"	6.85"	4.33"	5.79"	6.5"	0.75"	30'	69
LX011A-M50250-006-1	552	22	0.8	1	0.16"	16.93"	0.2"	6.06"	9.06"	7.87"	4.92"	0.87"	3.9"	1.46"	7.64"	6.22"	6.46"	6.85"	4.33"	5.79"	6.5"	0.75"	30'	64
LX011A-M50250-009-1	552	30	0.8	1	0.16"	16.93"	0.2"	6.06"	9.06"	7.87"	4.92"	0.87"	3.9"	1.46"	7.64"	6.22"	6.46"	6.85"	4.33"	5.79"	6.5"	0.75"	30'	64
LX011A-M50250-014-1	552	47	1.6	1	0.2"	16.93"	0.2"	6.06"	9.06"	7.87"	4.92"	0.87"	3.9"	1.46"	7.64"	6.22"	6.46"	6.85"	4.33"	5.79"	6.5"	0.75"	30'	69
LX011A-M50250-020-1	552	66	1.6	1	0.2"	16.93"	0.2"	6.06"	9.06"	7.87"	4.92"	0.87"	3.9"	1.46"	7.64"	6.22"	6.46"	6.85"	4.33"	5.79"	6.5"	0.75"	30'	69
LX011A-M50250-015-2	552	17/4	0.8/0.3	1	0.16"	16.93"	0.2"	6.06"	9.06"	7.87"	4.92"	0.87"	3.9"	1.46"	7.64"	6.22"	6.46"	6.85"	4.33"	5.79"	6.5"	0.75"	30'	64
LX011A-M50250-029-2	552	32/8	1.6/0.4	1	0.2"	17.91"	0.12"	6.06"	9.37"	8.7"	4.92"	1.02"	3.98"	1.38"	7.76"	6.38"	7.17"	7.24"	4.96"	6.02"	7.48"	0.91"	30'	82
LX011A-M50250-314-2	552	47/12	1.6/0.4	1	0.2"	17.91"	0.12"	6.06"	9.37"	8.7"	4.92"	1.02"	3.98"	1.38"	7.76"	6.38"	7.17"	7.24"	4.96"	6.02"	7.48"	0.91"	30'	82
LX011A-M50500-004-1	1103	16	1.3	1	0.2"	18.11"	0.12"	6.06"	9.06"	7.87"	4.92"	1.02"	3.98"	1.38"	7.76"	6.1"	6.46"	6.85"	4.96"	5.79"	7.32"	0.91"	30'	69
LX011A-M50500-007-1	1103	24	1.3	1	0.2"	18.11"	0.12"	6.06"	9.06"	7.87"	4.92"	1.02"	3.98"	1.38"	7.76"	6.1"	6.46"	6.85"	4.96"	5.79"	7.32"	0.91"	30'	69
LX011A-M50500-010-1	1103	33	1.6	1	0.2"	18.5"	0.12"	6.06"	9.37"	8.7"	4.92"	1.02"	3.98"	1.38"	7.76"	6.38"	7.17"	7.24"	4.96"	6.02"	7.48"	0.91"	30'	82
LX011A-M50500-014-1	1103	47	2.4	1	0.2"	18.5"	0.12"	6.06"	9.37"	8.7"	4.92"	1.02"	3.98"	1.38"	7.76"	6.38"	7.17"	7.24"	4.96"	6.02"	7.48"	0.91"	30'	82
LX011A-M50500-015-2	1103	19/5	1.6/0.4	1	0.2"	18.5"	0.12"	6.06"	9.37"	8.7"	4.92"	1.02"	3.98"	1.38"	7.76"	6.38"	7.17"	7.24"	4.96"	6.02"	7.48"	0.91"	30'	82
LX011A-M50500-029-2	1103	32/8	2.9/0.6	1	0.28"	19.69"	0.2"	4.84"	10.24"	9.13"	5.51"	1.34"	4.33"	1.57"	8.39"	6.46"	8.62"	7.87"	5.91"	6.22"	8.9"	1.14"	26'	102
LX011A-M51000-004-1	2205	16	1.6	1	0.28"	20.67"	0.2"	4.84"	9.49"	9.13"	5.51"	1.34"	4.33"	1.57"	8.39"	6.3"	7.99"	7.48"	5.91"	6.02"	8.7"	1.14"	26'	95
LX011A-M51000-008-1	2205	27	2.6	1	0.28"	21.06"	0.2"	4.84"	10.24"	9.13"	5.51"	1.34"	4.33"	1.57"	8.39"	6.46"	8.62"	7.87"	5.91"	6.22"	8.9"	1.14"	26'	102
LX011A-M51000-015-2	2205	16/4	2.9/0.6	1	0.28"	21.06"	0.2"	4.84"	10.24"	9.13"	5.51"	1.34"	4.33"	1.57"	8.39"	6.46"	8.62"	7.87"	5.91"	6.22"	8.9"	1.14"	26'	102

LX MODEL CODE BREAKDOWN



FURTHER INFORMATION:

- 1) SUPPLY 460V 3PH 60 Hz
- 2) HOIST IP RATING IP54
- 3) CONTROL PANEL IP RATING IP65 CEI/EN
- 4) CONTROL VOLTAGE 48V
- 5) OPERATING TEMPERATURE: -4°F TO +122°F
- 6) MOTORS CLASS F INSULATION
- 7) OVERLOAD CLUTCH SET AT 115% OF SWL.
- 8) DUTY:

SPEED	%CDF	'M' RATING	FEM CLASS	HMI CLASS
SINGLE	40	M5	2m	H4
DUAL	30/10	M5	2m	H4

9) HEIGHT OF LIFT (HOL) - 9'-10" (STD) TO MAX VALUE AS SPECIFIED IN THE TABLE. CAN BE ORDERED WITH 3'-3" INCREMENT.
10) ADDITIONAL HOL MAY REQUIRE LARGER CHAIN BUCKET. DIMENSIONS 'B1', 'C1', 'S' AND WEIGHT MAY VARY THAN STANDARD SIZE.

C		B		REV		DESCRIPTION		MAP		BY		DATE		DRAWN		CHECKED		SCALE		TITLE		CONTRACT No.	
MAX HOL (COLUMN) ADDRESS, MODEL CODES, UPDATES, HMI CLASSIFICATION & HMI CLASSIFICATION DETAILS DELETED. REF ECO-06562		MAX HOL (COLUMN) ADDRESS, MODEL CODES, UPDATES, HMI CLASSIFICATION & HMI CLASSIFICATION DETAILS DELETED. REF ECO-06562		MAP		MAP		29/05/2014		11/12/2013		12/11/2011		SW		OR				LX011 CHAIN HOIST USA DATA SHEET HOOK SUSPENSION (TYPE 'H')		DLX-1082	
MODEL CODE UPDATED TO MATCH NEW PRICE LIST. REF ECO-06562		MODEL CODE UPDATED TO MATCH NEW PRICE LIST. REF ECO-06562		MAP		MAP		29/05/2014		11/12/2013		12/11/2011		SW		OR				DRAWING No. 3		DLX-1082	
DESCRIPTION		DESCRIPTION		BY		BY		DATE		DATE		DATE		DATE		DATE				PART No.		DLX-1082	
PART No.		PART No.		DRAWING No.		DRAWING No.		DRAWING No.		DRAWING No.		DRAWING No.		DRAWING No.		DRAWING No.				SHT 2		OF 2	