



LUGALL[®]

The Original Lever Ratchet Hoist Company

CABLE RATCHET WINCH HOISTS

Made in the USA

LUG-ALL®

CABLE RATCHET WINCH HOISTS

LUG-ALL CORPORATION IS A SUPER-NICHE, USA MANUFACTURER OF PREMIUM MANUAL HOISTS. WE INVENTED THE INTERLOCKING DOUBLE-PAWL SAFETY HOIST IN 1949, AND WITH YOUR PROFESSIONAL FEEDBACK, WE'VE BEEN PERFECTING IT EVER SINCE.

LUG-ALL® Cable Hoists are serious, compact tools that go more places and solve more maintenance tasks than any other hoist design. They're ideal for hundreds of precision tasks: Lifting, lowering, pulling, tensioning, stretching, and bending.

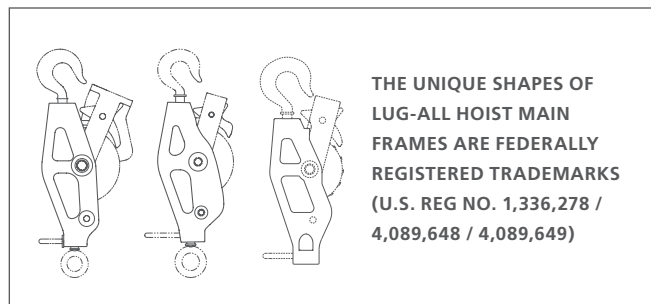
OUR HOISTS ARE USED INTERNATIONALLY IN COUNTLESS INDUSTRIES:

- Construction & Renovation
- Pump & Motor Installation & Overhaul
- Fence Tensioning
- Road & Bridge Construction & Repair
- Rigging
- Tree Service
- Structural Steel Erection
- Steamfitters & HVAC
- Landscaping
- Welding Alignment
- Conveyor Repairs
- And Your Next Exacting Task...

We offer 17 Standard Cable Hoist Models. Each one allows one-handed operation, neatly storing the cable on the drum. LUG-ALL cable hoists are lighter, faster-to-use, more precise, and much more maneuverable than comparable chain hoists.

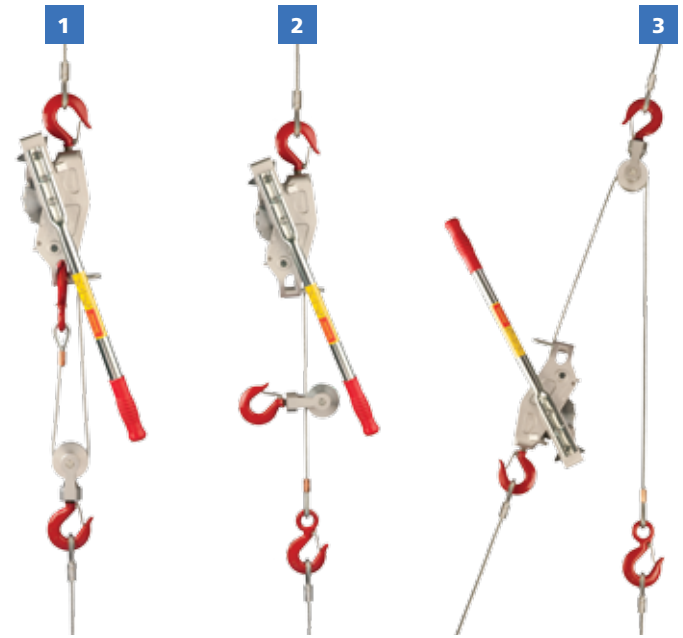
TABLE OF CONTENTS

LUG-ALL CABLE HOIST ADVANTAGES.....	3
SMALL FRAME HOISTS.....	4
MEDIUM & MEDIUM-LARGE FRAME HOISTS.....	5
HOIST OPTIONS.....	6
RAPID, CONTINUOUS HOIST IMPROVEMENTS.....	7
PRODUCT SUPPORT & WARNINGS.....	8

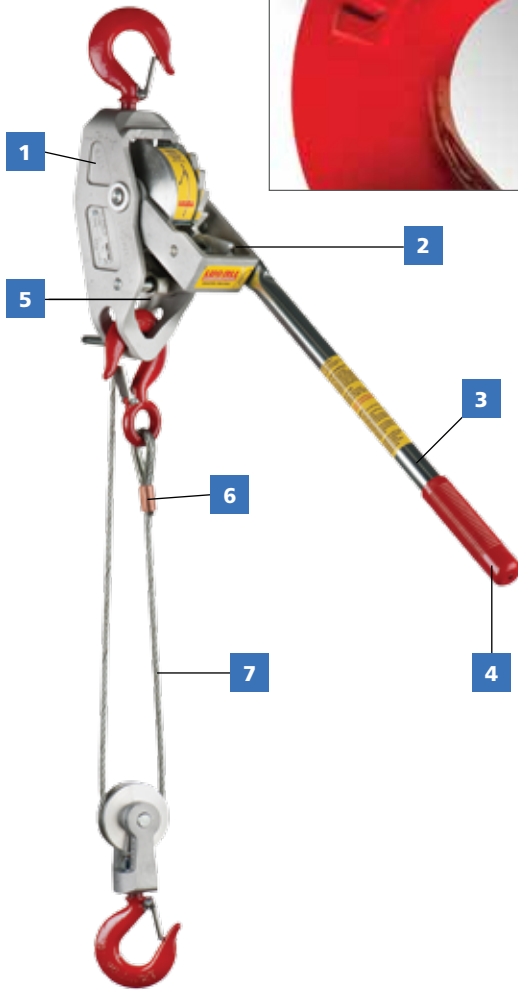


HOIST CONFIGURATIONS

1. Double line lift
2. Single line lift, straight lift
3. Single line lift using hoist's pulley block



All drop forged AISI 5140 alloy steel hooks greatly surpass the acceptable 4:1 industry standard.



LUG-ALL® CABLE HOIST ADVANTAGES

1. Not stamped! USA-made, cast aluminum frames for superior durability
2. Safety load-holding: One of two interlocking pawls is always positively engaged
3. Handle bends when overloaded, alerting you and protecting your hoist
4. Lifting is always a downward pull
5. Continuous visual inspection of cable via open construction design
6. Superior crimping of cable using malleable copper sleeves (not aluminum)
7. Stop dragging chains! Compact, light and rugged, with ultra-flexible, easy-to-manage, 133-strand aircraft cable
8. Drop forged, 360° swiveling hooks with safety latches; 3 different hook choices
9. Rapid "R" option lowers 4x faster

LUG-ALL®
CABLE RATCHET WINCH HOISTS

EASY, ONE-HANDED OPERATION

SERIOUSLY COMPACT: NO MORE DRAGGING CHAINS — CABLE IS ALWAYS NEATLY STORED ON THE DRUM. LUG-ALL CABLE HOISTS START AT JUST 7 POUNDS (3.2 KG).

SUPER MANEUVERABLE: Flexible aircraft cable and fast-connecting, 360° swiveling hooks with safety latches for quick, positive, loading and unloading — even with gloves on.

EXACTING LOAD MANAGEMENT: Unmatched smooth winch operation and precise load adjustment, the result of our precision machining to 0.001" (0.025mm) tolerances and ISO 9001:2008 Certified quality procedures.

WORKS FASTER: Lower your load 4x faster with our Rapid Lowering Option "R."

PREVENT TAMPERING: Simply remove the hoist handle to prevent tampering of winch or load.

DURABLE FOR DECADES

Through continuous field visits, we can prove that literally thousands of LUG-ALL hoists built in the 1960's, 70's and 80's are still on the job.

Designed For Self-Protection: The handles on all LUG-ALL Cable Hoists are designed to bend at 125%-150% of the rated capacity, stopping you from further damage. Replace the handle, not the hoist!

Precision Components Last Longer: LUG-ALL hoists feel different from other hoists. Note their smooth cast housing... their precise ratcheting action...their meticulous load tensioning. You can work much more accurately – and your hoist will work longer, with much less wear.

Minimal Hoist Maintenance:

- Open frames for instant tool inspection
- Lubricated-for-life bearings
- Crimped copper sleeves to definitively capture cable strands
- Marine Grade models available for corrosive environments



LUG-ALL Exclusive: Other brands use set screws requiring 2 to 3 unusable wraps of cable around the drum. Our unique ball-shank-terminal securely anchors the cable to its drum, so you get full use of your cable length!

SMALL FRAME HOISTS: 1/2 TON TO 1-1/2 TON CAPACITIES

Our most compact hoists weigh just 7 to 9 pounds, but have all of the features of our medium frame models. These 10 standard models are popular with welders, fence installers, HVAC personnel, and other professionals needing a small, durable, 100% reliable winch hoist.



1000-15



1500-25



2250-15



2250-20



3000-10



3000-15

MODEL #	DOUBLE LINE CAPACITY					SINGLE LINE CAPACITY					CABLE DIAMETER	CABLE LENGTH	TOTAL WEIGHT (LBS.)
	CAPACITY		MAX HANDLE PULL	LIFT DISTANCE	MINIMUM DISTANCE	CAPACITY		MAX HANDLE PULL	LIFT DISTANCE	MINIMUM DISTANCE			
	(LBS.)	(TON)	(LBS.)			(LBS.)	(TON)	(LBS.)					
1000-15*	-	-	-	-	-	1000	1/2	108	15'	16"	3/16"	16'	7
115-R*	-	-	-	-	-	1000	1/2	108	15'	16"	3/16"	16'	7
1500-25	1500	3/4	99	12'-6"	21"	750	3/8	99	25'	16"	5/32"	26'	8-1/2
125-R	1500	3/4	99	12'-6"	21"	750	3/8	99	25'	16"	5/32"	26'	8-1/2
2250-15	2250	1-1/8	121	7'-6"	21"	1125	9/16	121	15'	16"	3/16"	16'	8-3/4
215-R	2250	1-1/8	121	7'-6"	21"	1125	9/16	121	15'	16"	3/16"	16'	8-3/4
2250-20	2250	1-1/8	121	10'	21"	1125	9/16	121	20'	16"	3/16"	21'	9-1/4
3000-10	3000	1-1/2	130	5'	21"	1500	3/4	130	10'	16"	7/32"	11'-6"	9
310-R	3000	1-1/2	130	5'	21"	1500	3/4	130	10'	16"	7/32"	11'-6"	9
3000-15	3000	1-1/2	148	7'-6"	21"	1500	3/4	148	15'	16"	7/32"	16'	10

OPTIONS FOR SMALL FRAME HOISTS

*Without pulley block

"R" = Rapid Lowering, 4x faster: look for "R" after model number.

"M" = Marine Grade, see page 6 for advantages; add "M" to any model number.

Hooks: 3 designs available. See page 6 for details.

MEDIUM FRAME HOIST - 1-1/8 TO 2 TON CAPACITIES

6 medium-sized hoists trusted by MRO and facilities repair professionals everywhere. Ideal for steamfitters, pump and motor pulling, farm repair, landscaping, and tree services.

LUG-ALL®
CABLE RATCHET WINCH HOISTS



Options for Medium Frame Hoists

"R" = Rapid Lowering, 4x faster: look for "R" after model number.

"M" = Marine Grade, see page 6 for advantages; add "M" to any model number.

Hooks: 3 designs available. See page 6 for details.

MODEL #	DOUBLE LINE CAPACITY					SINGLE LINE CAPACITY							
	CAPACITY		MAX HANDLE PULL	LIFT DISTANCE	MINIMUM DISTANCE	CAPACITY		MAX HANDLE PULL	LIFT DISTANCE	MINIMUM DISTANCE	CABLE DIAMETER	CABLE LENGTH	TOTAL WEIGHT (LBS.)
	(LBS.)	(TON)	(LBS.)			(LBS.)	(TON)	(LBS.)					
2250-38	2250	1-1/8	118	19'	23-1/2"	1125	9/16	118	38'	18"	3/16"	39'-6"	13-3/4
238-R	2250	1-1/8	118	19'	23-1/2"	1125	9/16	118	38'	18"	3/16"	39'-6"	13-3/4
3000-30	3000	1-1/2	134	15'	23-1/2"	1500	3/4	134	30'	18"	7/32"	31'-6"	13-3/4
330-R	3000	1-1/2	134	15'	23-1/2"	1500	3/4	134	30'	18"	7/32"	31'-6"	13-3/4
4000-20	4000	2	140	10'	23-1/2"	2000	1	140	20'	18-1/2"	1/4"	22'	15-1/2
420-R	4000	2	140	10'	23-1/2"	2000	1	140	20'	18-1/2"	1/4"	22'	15-1/2

MEDIUM-LARGE FRAME HOIST - 3 TON CAPACITY

Our most powerful and full-featured hoist: The LUG-ALL® 6000-15. Used worldwide for construction, structural steel alignment, road and bridge building, power plant maintenance, industrial rigging, and other heavy-duty maintenance, repair and overhaul operations.

ADDED LEVERAGE: Our proprietary 6000-15 telescoping handle goes from 37.5 to 57 inches in seconds. Like all other LUG-ALL hoist handles, it's reversible.

MORE MANEUVERABILITY: a second, alternative socket angle for the hoist's handle gives you more options in tight spaces.

INCREASED OVERLOAD PROTECTION: An easily replaceable shear pin breaks with an audible warning upon overload conditions. The hoist remains operational so the load can be reduced as soon as possible — before the hoist handle bends as a secondary warning — further protecting your tool investment.

HOOK OPTIONS: 2 designs available. See page 6 for details.



Shear Pin

6000-15

MODEL #	DOUBLE LINE CAPACITY					SINGLE LINE CAPACITY							
	CAPACITY		MAX HANDLE PULL	LIFT DISTANCE	MINIMUM DISTANCE	CAPACITY		MAX HANDLE PULL	LIFT DISTANCE	MINIMUM DISTANCE	CABLE DIAMETER	CABLE LENGTH	TOTAL WEIGHT (LBS.)
	(LBS.)	(TON)	(LBS.)			(LBS.)	(TON)	(LBS.)					
6000-15	6000	3	139	7-6'	34"	3000	1-1/2	139	15'	26-1/2"	5/16"	18'	34

HOIST OPTIONS

MEET YOUR APPLICATION NEEDS AND SPECIFIC WORKPLACE STANDARDS USING THESE ACCESSORIES AND OPTIONS FOR LUG-ALL® CABLE HOISTS.

HOOK OPTIONS

All hooks are 360° easy-swiveling designs with strong, drop-forge construction.

1. The safety latching hook is the standard (default) hook for LUG-ALL cable hoists.
2. "U" = Gate Hook. The hook latch revolves on the hook shank and locks under spring tension — in either the open or closed position. Add suffix "U" to any model number (not available on the LUG-ALL 6000-15).
3. "C" = removable Clevis Hook. Just add suffix "C" to any model number.



MARINE GRADE CABLE WINCH HOISTS

"M" = Marine Grade Hoists. Ideal for corrosive environments, whether that's offshore rigs or petro-chemical plants. Note: not available on Medium-Large Model (6000-15).

1. Anodized aluminum alloy casting
2. Zinc-plated steel and copper components for long-life under adverse conditions
3. 302 stainless steel, 133-strand, aircraft cable



RAPID LOWERING OPTION

"R" = Rapid Lowering. Lower using 4 ratchet steps at a time to quickly position loads into their approximate location. Then switch back to the regular setting (1 ratchet at a time) to slowly, precisely do the final positioning. To order, look for models ending in "R."



RAPID, CONTINUOUS, CUSTOMER-DRIVEN IMPROVEMENTS

Your professional feedback drives our process of rapid, continuous, improvements to our hoist designs.

Our state-of-the-art facilities enable us to take professional suggestions from the field and manufacture them in as short as a week.

WORLD-CLASS HOIST MANUFACTURING FACILITIES

Try this test: Do side-by-side comparison of our hoists with any other. Which hoist has the quality, the smooth operation, and the durability you want to depend on everyday?

LUG-ALL Corporation makes ongoing, extensive capital investments to employ the world's finest machining technologies.

Our goals are simple: Make the easiest-to-use, most durable hoists in the world. And we have the full, decisive backing from our third-generation family owners, who are 100% committed to making the finest hoists possible.



HOIST QUALITY THAT CAN BE MEASURED AT EVERY STEP

We were one of the first hoist manufacturers to have its ISO 9001:2008 Quality Program Certified. Our quality assurance programs are monitored and updated on a regular basis, and they feature:

- Tolerances to .001 inch (0.025mm)
- Use of an optical comparator that assures proper fitting of parts
- Hardness testers, plug gauges, micrometers, and digital calipers assure continuous compliance to our high QA standards
- Use of a universal test machine for destructive testing of peak load capacity and cable stretching, accurate to 1/10th of a pound (45 grams)
- A cyclical machine that tests overall quality of the hoist
- CE and TUV certifications for European markets

LUG-ALL®
CABLE RATCHET WINCH HOISTS



NO COMPROMISES

Ours are premium hoists, made by craftsmen for craftsmen. LUG-ALL employees are deeply rewarded by their work and supported by a family-owned company culture that nurtures their no-compromise attention to detail.

No wonder our employees stay on for years...even generations. That's the LUG-ALL way.

LUG-ALL Hoists: Simple, Proven, Reliable.



RAISE YOUR EXPECTATIONS

We do one thing: Make industrial manual hoists.

We design and build premium hoists used in critical industrial jobs. Like the lifting of \$10,000 pumps. Or the pulling of energized power lines (using our line of Web Strap Hoists).

Customers come to our hoists with very high expectations. They're willing to pay for safety, reliability, and decades-long durability.

LUG-ALL® customers are looking for a level of functionality unknown in other hoists. As fellow craftsmen, we're honored to serve this elite group.



BUY, ACCESSORIZE, REPAIR & RECONDITION

To Buy: Call us toll-free at 877-658-4255 to find the name of your nearest LUG-ALL distributor. Or visit LUG-ALL.com to find your Manufacturer's Rep.

To Accessorize: To buy different hook options or repair parts, call us or visit our Parts Store at LUG-ALL.com

To Repair or Recondition: You might have years (or decades) left on your legacy hoist. For comprehensive factory reconditioning, call 877-658-4255 or email us: repairs@lug-all.com.



LUG-ALL WINCH-HOISTS ARE INTENDED FOR INDUSTRIAL USE ONLY AND NOT FOR LIFTING OR SUPPORTING HUMAN OR ANIMAL CARGO. OVERLOADING AND IMPROPER USE CAN RESULT IN INJURY OR DEATH.

Do not attempt to operate any LUG-ALL hoist until you fully read and understand its instructions and warnings as detailed in its Instruction Manual. Failure to properly operate or maintain your LUG-ALL hoist can result in property damage, bodily injury, or death.

LUG-ALL®
CABLE RATCHET WINCH HOISTS

For inquires, call us at:
877-658-4255 toll free

650 Lincoln Road
Birdsboro, PA 19508

Local: 610-286-9884
Fax: 610-286-9661
Web: lug-all.com
Email: sales@lug-all.com

