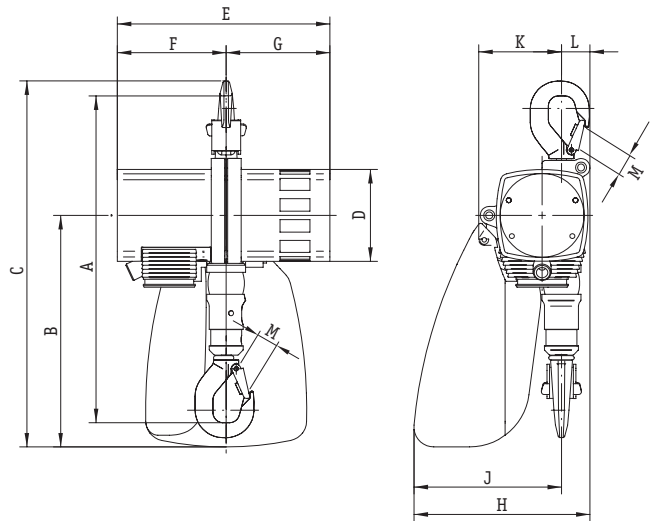


JDN AIR HOISTS MINI



Dimensions

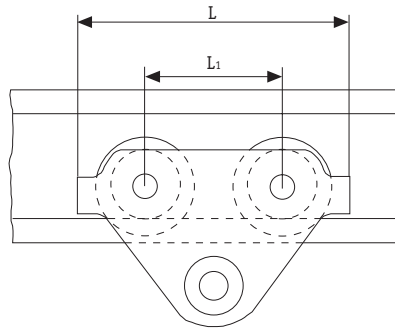
Type		mini 125	mini 250	mini 500	mini 1000
A	inch	12.9	12.9	18.0	18.0
	mm	328	328	458	458
B	inch	9.1	9.1	12.4	12.4
	mm	232	232	316	316
C	inch	14.4	14.4	19.9	19.9
	mm	367	367	505	505
D	inch	3.6	3.6	4.8	4.8
	mm	92	92	122	122
E	inch	8.4	8.4	11.5	11.5
	mm	213	213	292	292
F	inch	4.3	4.3	5.8	5.8
	mm	109	109	148	148
G	inch	4.1	4.1	5.6	5.6
	mm	104	104	144	144
H	inch	7	7	9.2	9.2
	mm	177	177	234	234
J	inch	5.8	5.8	7.6	7.6
	mm	148	148	194	194
K	inch	3.3	3.3	4.7	4.7
	mm	83	83	119	119
L	inch	1.1	1.1	1.6	1.6
	mm	29	29	40	40
M	inch	0.7	0.7	1.1	1.1
	mm	19	19	28	28



Manual Trolleys for JDN Air Hoists mini

Technical Data

Type		LN 250	LN 1000
Capacity	lbs	550	2200
	kg	250	1000
Beam flange width b	inch	2-8	2-8
	mm	50-220	58-220
max. flange thickness t	inch	1.3	1.2
	mm	34	30
min. curve radius	inch	35.4	39.4
	m	0.9	1.0
Weight	lbs	17	21
	kg	7.7	10.5



Dimensions

Type		LN 250	LN 1000
A	inch	3.1	3.1
	mm	79	79
D	inch	0.7	0.7
	mm	17	17
D ₁	inch	1	1.2
	mm	25	30
D ₂	inch	1.2	1.4
	mm	30	35
H ₁	inch	1.2	1
	mm	30	25
I	inch	2.7	3.2
	mm	67.5	81.5
L	inch	10.2	10.2
	mm	260	260
L ₁	inch	5.1	5.1
	mm	130	130
O	inch	2.2	2.7
	mm	55	68
T	inch	5.7	5.9
	mm	144	151

