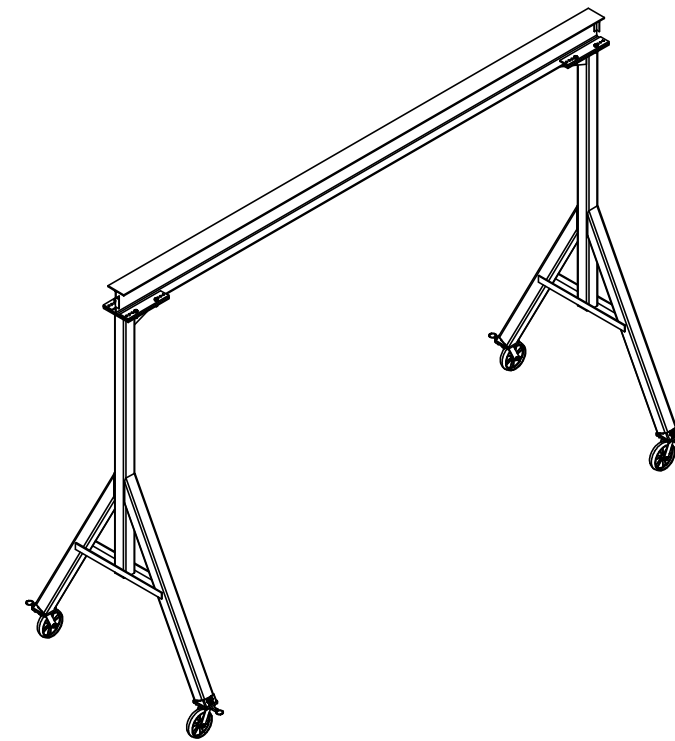
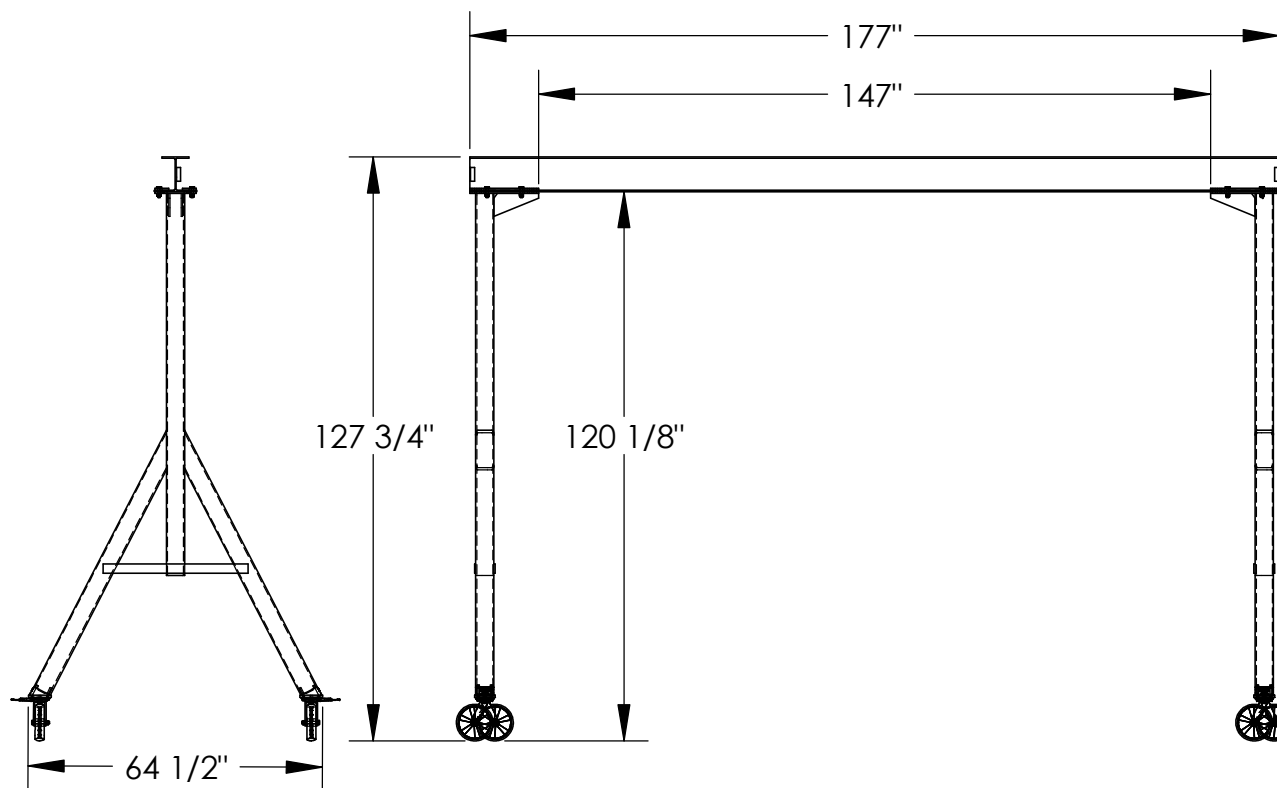


FIXED STEEL GANTRY CRANE - FHS-4-15

APPROX WEIGHT: 800.65 lbs.
DOES NOT INCLUDE WEIGHT OF POWER OR PACKAGING!!!

*** ANY ADDITIONS, DELETIONS, OR OMISSIONS MUST BE CORRECTED ON THIS DRAWING AS THIS DRAWING WILL BE CONSIDERED ALL INCLUSIVE ***

ALL GRAPHICS PROVIDED ARE FOR REFERENCE ONLY. IF CERTAIN DIMENSIONS ARE CRITICAL PLEASE VERIFY THOSE DIMENSIONS WITH YOUR SALESPERSON



3D VIEW FOR REFERENCE ONLY

STANDARD FEATURES

MODEL NUMBER IS FHS-4-15
OVERALL WIDTH IS 64 1/2"
USABLE WIDTH IS 64 1/2"
OVERALL LENGTH IS 177"
USABLE LENGTH IS 147"
OVERALL HEIGHT IS 128"
UNDER I-BEAM HEIGHT IS 10'
CAPACITY IS 4000 LBS.
OVERALL BEAM LENGTH IS 177"
OVERALL BEAM HEIGHT IS 8"
CASTERS: (4) 8" X 2" SWIVEL WITH
FOUR LOCKING POSITION

SPECIAL FEATURES

NONE

ADDITIONAL OPTIONS

MANUAL TROLLIES		
1,000 # CAPACITY	2,000 # CAPACITY	4,000 # CAPACITY
QIT-1	QIT-2	QIT-4
E-MT-1	E-MT-2	E-MT-4
E-MT-1-C	E-MT-2-C	E-MT-4-C

APPROVAL

I, THE UNDERSIGNED, AGREE THAT THE PRODUCT AS REPRESENTED SATISFIES DESIGN AND DIMENSION REQUIREMENTS. I ALSO ACKNOWLEDGE MY DUTY TO CONFIRM PRODUCT AND INSTALLATION COMPLIANCE WITH ALL APPLICABLE FEDERAL, STATE AND LOCAL REGULATIONS AND STANDARDS.

ALL SPECIAL UNITS ARE NON-RETURNABLE

As drawn As marked

Signed: _____ Date: _____

LEAD TIME WILL START UPON RECEIPT OF SIGNED APPROVAL DRAWING

DISTRIBUTOR'S NAME:		P.O.#
VESTIL MANUFACTURING		X
DRAWN BY: ND		W.O.#
DATE: 9/30/09		X
REFERENCE: X	SCALE: 1:42	SALES: X
QUOTED LEAD TIME: X	QUOTE #	FILE NAME:
	X	28-007-065

**CAPACITY OF ATTACHMENTS MAY DERATE CAPACITY OF GANTRY CRANE