



# L Series Pendant Push Button Stations

Single-Speed, Two-Speed, Three-Speed and Accessories  
With Standard Multi-Step Cord Grip



L2-S



L4-S  
L4-D



L6-S  
L6-D



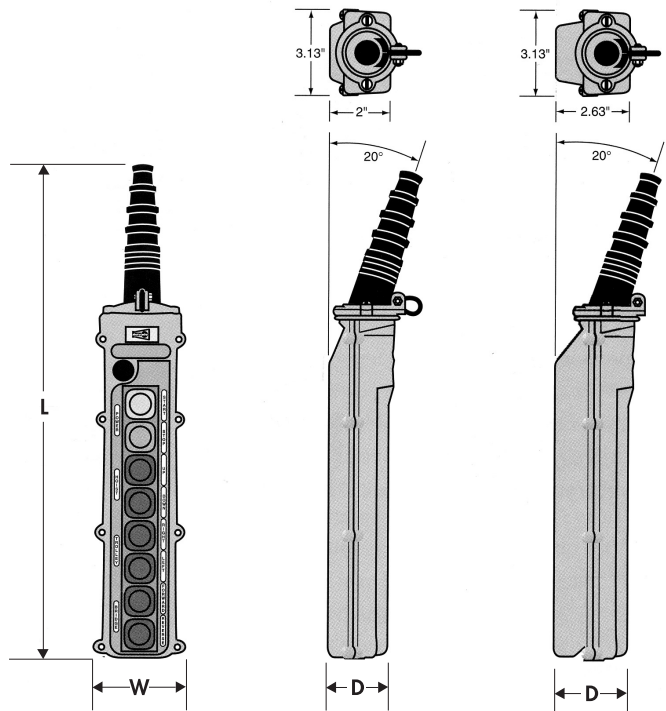
L8-S  
L8-D



L10-S  
L10-D

- Polypropylene Construction
- NEMA 1, 3, 4, 4X and 12
- Multi-Step Cord Grip for 4 to 24 Conductor Cable
- Slim Back Profile (S) for Ergonomic Look & Feel
- Deep Back (D) Profile for Extra Wiring Space
- Strain Relief Hook and Cable Clamp Set
- Large Variety of Accessory Switches Available
- Replaceable Neoprene Boots
- Easy to Read Legend Plates (Button and Body)
- UL Listed and CSA Approved (150928)

Catalog Number	Enclosure Type	W Width	D Depth	L Length	Wt. #	Cable Range
L2-S	2 Button Shallow	3.13"	2.00"	11.75"	.56	.640" - .890"
L4-S	4 Button Shallow	3.13"	2.00"	13.25"	.64	.640" - .890"
L6-S	6 Button Shallow	3.13"	2.00"	15.50"	.74	.640" - .890"
L8-S	8 Button Shallow	3.13"	2.00"	17.75"	.88	.640" - .890"
L10-S	10 Button Shallow	3.13"	2.00"	20.00"	.96	.640" - .890"
L4-D	4 Button Deep	3.13"	2.63"	13.25"	.70	.640" - .890"
L6-D	6 Button Deep	3.13"	2.63"	15.50"	.80	.640" - .890"
L8-D	8 Button Deep	3.13"	2.63"	17.75"	.92	.640" - .890"
L10-D	10 Button Deep	3.13"	2.63"	20.00"	1.04	.640" - .890"



Pictures are for illustration purposes and may not represent actual product.  
Duct-O-Wire® recommends installation of an Emergency Stop on all Pendants.



# L Series Pendant Push Button Stations

Single-Speed, Two-Speed, Three-Speed and Accessories

With Water-Tight Bushing Cord Grip Option



L10-S  
L10-D



L8-S  
L8-D



L6-S  
L6-D

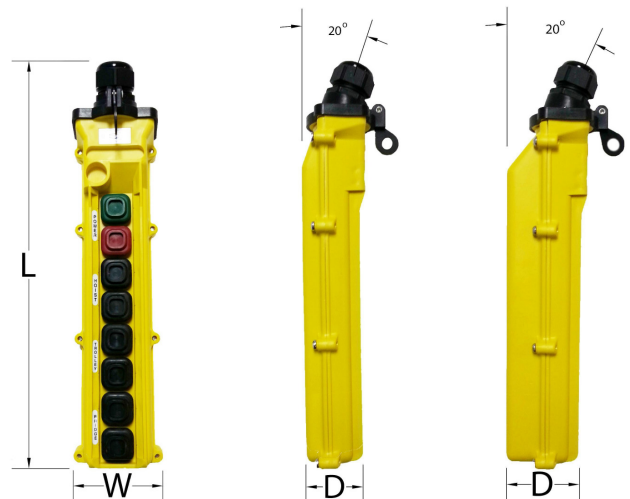
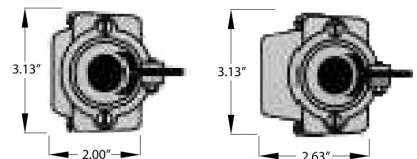


L4-S  
L4-D



L2-S

- Polypropylene Construction
- NEMA 1, 3, 4, 4X and 12
- Water Tight Cord Grips
  - L-CG1 = .433" - .827" (RPC-414, RPC-816, RPC-1216)
  - L-CG2 = .699" - .984" (RPC-1216, RPC-1616, RPC-2416)
- Slim Back Profile (S) for Ergonomic Look & Feel
- Deep Back (D) Profile for Extra Wiring Space
- Strain Relief Hook and Cable Clamp Set
- Large Variety of Accessory Switches Available
- Replaceable Neoprene Boots
- Easy to Read Legend Plates (Button and Body)
- UL Listed and CSA Approved (150928)



Catalog Number	Enclosure Type	W Width	D Depth	L Length	Wt. #
L2-S	2 Button Shallow	3.13"	2.00"	8.75"	.61
L4-S	4 Button Shallow	3.13"	2.00"	10.25"	.68
L6-S	6 Button Shallow	3.13"	2.00"	12.50"	.81
L8-S	8 Button Shallow	3.13"	2.00"	14.75"	.92
L10-S	10 Button Shallow	3.13"	2.00"	17.00"	1.13
L4-D	4 Button Deep	3.13"	2.63"	10.25"	.74
L6-D	6 Button Deep	3.13"	2.63"	12.50"	.87
L8-D	8 Button Deep	3.13"	2.63"	14.75"	.96
L10-D	10 Button Deep	3.13"	2.63"	17.00"	1.21

Pictures are for illustration purposes and may not represent actual product.  
Duct-O-Wire® recommends installation of an Emergency Stop on all Pendants.