

# Model CBT

High Performance Lifting

# COFFING<sup>®</sup> HOISTS

## Plain or Geared Trolleys – Smooth Rolling and Economical

**COFFING CBT Model** - Available in plain and geared models, the CBT is the economical choice for most applications. The trolley features steel wrap around side plates, dual tread wheels and lifetime lubricated shielded ball bearings. All the CBTs' features combine to ensure you a trolley that is smooth rolling, versatile and reliable.



**CBTP  
(Plain Trolley)**  
1/4 to 5 Ton



**CBTG  
(Geared Trolley)**  
1 to 5 Ton

- **Capacities** - Rated loads from 1/4 to 5 Ton (Metric Rated). In plain and geared models.
- **Economical** - Excellent low cost choice for manual and powered hoists.
- **Rugged** - Designed to provide superior performance and long, efficient service.
- **Low Rolling Effort** - Geared models have standard 6-foot hand chain drop. Other hand chain drops available.
- **Universal Hanging Clevis** - Accepts most hook mounted hoists.
- **Adjustable** - Trolley easily adjusts to fit any beam flange within range of adjustment, up to an 8.7" flange width.
- **Wrap-Around Side Plates** - Lugs provide additional security to increase operator safety and act as bumpers to protect wheels.
- **Dual Tread Wheels** - Will fit either tapered or flat beam flange within range of adjustment. Wheels include permanently lubricated, shielded ball bearings for long life and low maintenance.
- **Lifetime Warranty**

### S P E C I F I C A T I O N S

Model CBT

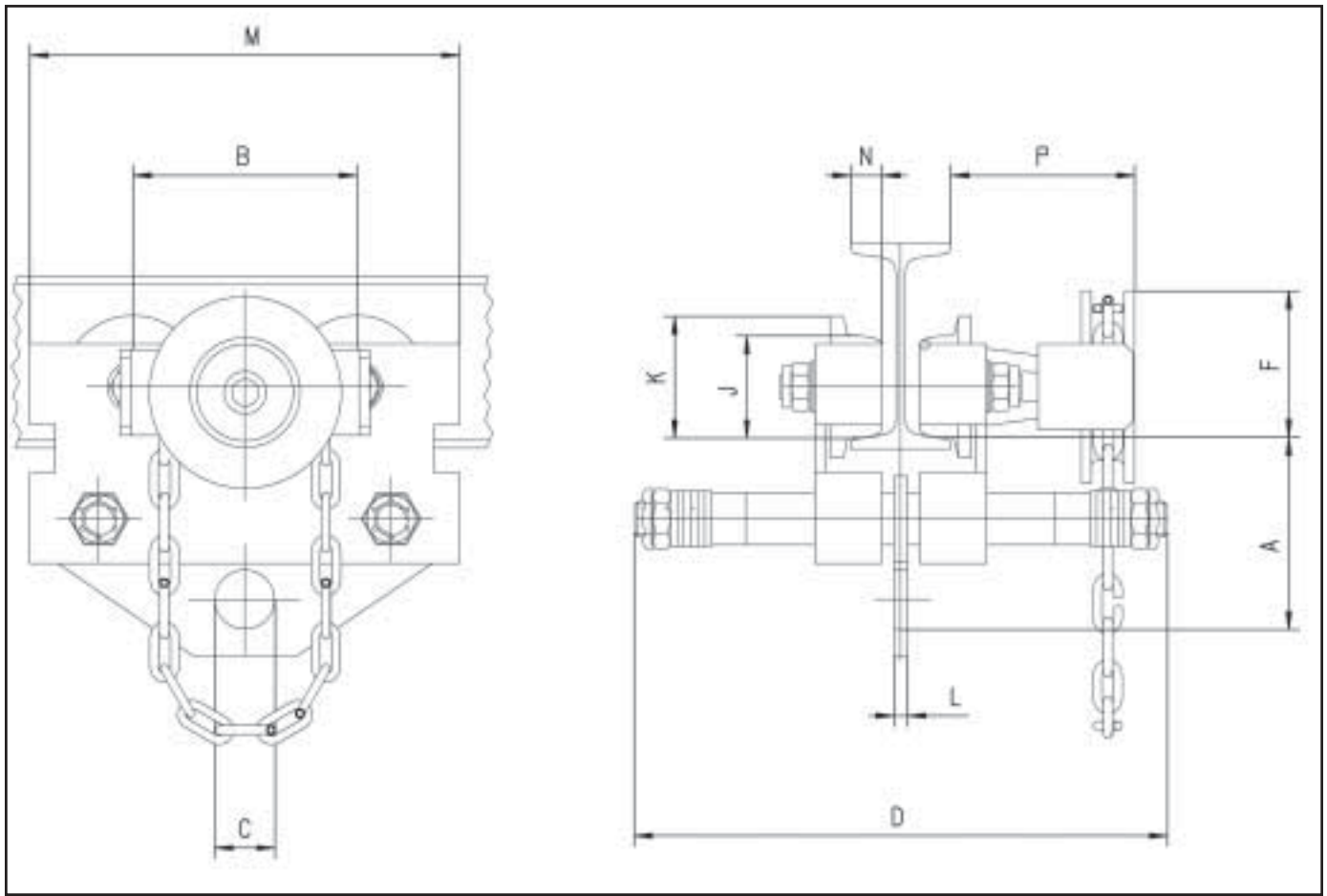
Capacity* (Ton)	Model Number**	Standard Beam Height (In.)	I-Beam Width (In.)	Minimum Radius Curve (In.)	Wheel Tread Diameter (In.)	Wt. (Lb.)
1/4	CBTP-0025	4-24	2.0-8.7	27	2.36	19
1/2	CBTP-0050	4-24	2.0-8.7	27	2.36	19
1	CBTP(G)-0100	5-24	2.3-8.7	36	2.36	26
1 1/2	CBTP(G)-0150	6-24	2.3-8.7	45	3.15	46
2	CBTP(G)-0200	6-24	2.3-8.7	45	3.15	46
3	CBTP(G)-0300	8-24	3.0-8.7	55	4.41	86
5	CBTP(G)-0500	10-24	3.5-8.7	70	4.92	130

\* Metric Rated

\*\* When ordering specify "P" for plain trolley or "G" for geared trolley

# DIMENSIONAL DRAWINGS

Model CBTP/CBTG 1/4-5 Metric Ton



## CLEARANCE DIMENSIONS (In.)

Model CBT

Capacity (Ton)	A	B	C	D	CBTG F	J	K	CBTG K	L	M	N	CBTG P
1/4	3.94	3.54	1.18	11.81	-	2.36	2.83	-	.31	7.56	.71	-
1/2	3.94	3.54	1.18	11.81	-	2.36	2.83	-	.31	7.56	.71	-
1	4.33	5.12	1.38	12.20	3.60	2.36	2.83	3.03	.31	9.84	.71	4.33
1 1/2	5.12	5.91	1.89	12.60	3.56	3.15	3.78	3.86	.47	11.81	.79	4.33
2	5.12	5.91	1.89	12.60	3.56	3.15	3.78	3.86	.47	11.81	.79	4.33
3	6.18	7.09	2.36	13.39	4.23	4.41	5.20	5.24	.55	14.57	1.14	4.33
5	7.09	8.23	2.76	13.78	5.89	4.92	5.63	5.87	.79	17.32	1.26	4.33

## WARNING

Overloading and Improper Use Can Result in Injury

To Avoid Injury:

- Do not exceed working load limit, load rating, or capacity.
- Do not use to lift people or loads over people.
- Use only alloy chain and attachments for overhead lifting.
- Read and follow all instructions.



High Performance Lifting  
**COFFING**<sup>®</sup>  
 HOISTS

Country Club Road • PO Box 779  
 Wadesboro, NC 28170 USA

Phone: (800) 477-5003 (704) 694-2156

FAX: (800) 374-6853 (704) 694-6829

www.coffinghoists.com • e-mail: coffing@cmworks.com

CB-28  
 Printed in USA  
 © 2004 Coffing Hoists