

Pipe & Manhole Handling

Model PC - "Tea Cup" Pipe Carrier



IN-STOCK PROGRAM

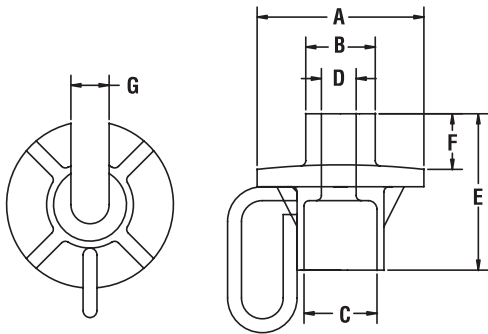
PRODUCT FEATURES:

- An efficient way to handle concrete water and sewer pipes.
- The Caldwell "Tea Cup" Pipe Carrier will save you time and money.
- Three sizes available, to handle from 3/4" to 1-1/2" cable, and lift up to 18 tons.
- Optional "Spoon Handle" allows the PC-3/4 "Tea Cup" to be guided into small diameter pipes.
- Designed and manufactured to ASME standards.

SPECIFICATIONS

Model Number	Rated Capacity (tons)	Dimensions (inches)							Weight (lbs)
		A	B	C	D	E	F	G	
PC-3/4*	6.6	5.56	2	2.13	1.13	4.75	1.75	1.13	9
PC-1	13	6	2.50	2.63	1.38	5.75	1.75	1.38	12
PC-1 1/2	18	8	3	3.25	1.63	7.63	2.75	1.63	22

* Can use "Spoon Handle" with this model.



Model PC - Low Profile "Tea Cup" Pipe Carrier

Same quality engineering as the standard model plus:

PRODUCT FEATURES:

- Only wire rope needs to be inserted through pipe.



SPECIFICATIONS

Model Number	Rated Capacity (tons)	Dimensions (inches)				Weight (lbs.)
		A	C	H	G	
PC-3/4-F*	6.6	5.56	2.13	3.44	1.13	9
PC-1-F	13	6	2.63	4.38	1.38	12
PC-1 1/2-F	18	8	3.25	5.13	1.63	22

* Can use "Spoon Handle" with this model.

IN-STOCK PROGRAM

