

Coil Lifters and Upenders



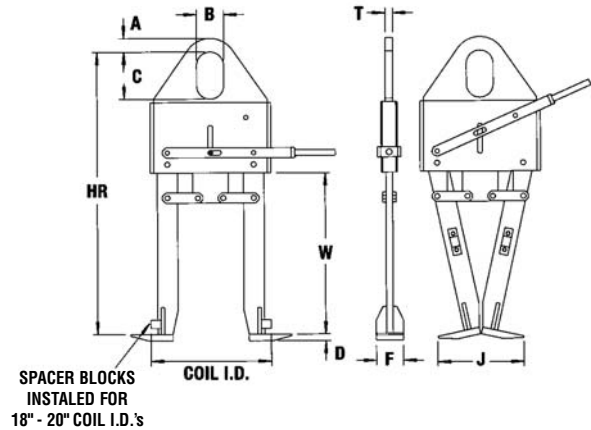
The Caldwell Group • 800-628-4263 • www.caldwellinc.com

Model 83 - Vertical "Eye" Coil Lifter



PRODUCT FEATURES:

- Efficient handling of vertically stacked coils.
- Leg positioning handle is easy to operate and has a positive locking feature.
- Handles any size coil I.D. from 16" to 20".
- Complies with ASME standards.



SPECIFICATIONS

Model Number	Capacity (tons)	Dimensions (inches)											Weight (lbs.)
		Coil I.D.		Coil Width	HR	Bail Dimensions				Foot Dimensions			
		Min.	Max.	W	Headroom	A	B	C	T	F	D	J	
83-1/2-20	1/2	16	20	20	36	1-1/4	3	5	5/8	4	3/4	13	110
83-1 1/2-20	1-1/2	16	20	24	36	1-1/2	3	5	5/8	4	3/4	13	125
83-3-20	3	16	20	24	40	1-1/2	3	5	3/4	5	3/4	13-1/2	180
83-5-20	5	16	20	30	49	2	4	7	1	6	3/4	14-1/4	195

Other sizes available, consult factory.

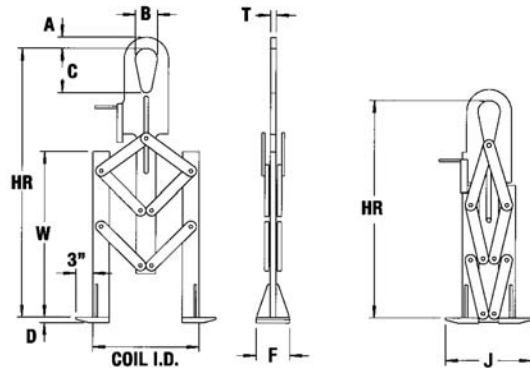
Spacer Blocks Installed for 16-18" coil I.D.'s. See Instruction Manual for details.

Model 83EW - Extended Width Vertical "Eye" Coil Lifter



PRODUCT FEATURES:

- Handles any size coil I.D. from 16" to 24".
- Lifter legs automatically adjust to coil I.D. being lifted.
- Has higher capacity range than standard lifter.
- Unique design minimizes dunnage required between coils.
- Complies with ASME standards.



SPECIFICATIONS

Model Number	Capacity (tons)	Dimensions (inches)											Weight (lbs.)	
		Coil I.D.		Coil Width	HR		Bail Dimensions				Foot Dimensions			
		Min.	Max.	W	Open	Closed	A	B	C	T	F	D		J
83EW-1/2-24	1/2	16	24	20	36	30-7/8	1-1/4	3	5	5/8	5	1/2	14-1/2	90
83EW-2 1/2-24	2-1/2	16	24	24	44	37-1/2	1-1/2	3	5	3/4	5	3/4	15-1/2	125
83EW-5-24	5	16	24	30	47	40-3/8	2	4	7	1	6	1	15-1/2	170
83EW-7 1/2-24	7-1/2	16	24	30	47	40-3/8	2	4	8	1	6	1	15-1/2	170

Other sizes available, consult factory.

Strong-Bac® Section
2011-2013 Master Catalog