

Rams & Extensions



The Caldwell Group • 800-628-4263 • www.caldwellinc.com

Model FE - Fork Extensions

PRODUCT FEATURES:

- Ideal for oversized loads.
- Easy installation onto existing forks.
- Fits standard fork thicknesses.
- Standard fork extension widths 4" through 7".
- Standard fork extension lengths 42" through 96".

QUICKSHIP PROGRAM

IN-STOCK PROGRAM



WARNING

- Extensions shall not exceed 1 1/2X the length of the existing forks.
- Extension capacities are reduced beyond existing fork tips (Approx. 60%).
- Do not tip-load the fork extensions.
- Load center of gravity must not extend past existing fork tips.
- Capacity of lift truck and attachment combination may be less than capacity shown on attachment. Consult lift truck manufacturer.

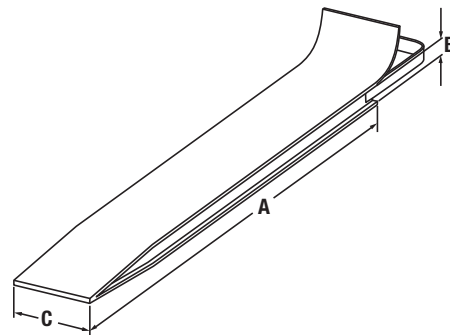
SPECIFICATIONS

Model Number (Pair)	Extension Length (in.)	Fork Width (in.)	Minimum Fork Length (in.)	Load Center (in.)	Rated Capacity Each (lbs.)	Weight Each (lbs.)
FE4-42	42	4	28	21	1925	25
FE4-48	48	4	32	24	1700	28
FE4-54	54	4	36	27	1500	32
FE4-60	60	4	40	30	1350	35
FE4-63	63	4	42	32	1275	37
FE4-66	66	4	44	33	1225	38
FE4-72	72	4	48	36	1125	42
FE5-42	42	5	28	21	2525	30
FE5-48	48	5	32	24	2200	34
FE5-54	54	5	36	27	1950	38
FE5-60	60	5	40	30	1750	42
FE5-63	63	5	42	32	1675	45
FE5-66	66	5	44	33	1600	47
FE5-72	72	5	48	36	1475	51
FE5-96	96	5	64	48	1100	67
FE6-42	42	6	28	21	3200	36
FE6-48	48	6	32	24	2800	41
FE6-54	54	6	36	27	2500	46
FE6-60	60	6	40	30	2250	51
FE6-63	63	6	42	32	2125	53
FE6-66	66	6	44	33	2025	55
FE6-72	72	6	48	36	1875	60
FE6-96	96	6	64	48	1400	80
FE7-42	42	7	28	21	4000	42
FE7-48	48	7	32	24	3500	48
FE7-54	54	7	36	27	3100	53
FE7-60	60	7	40	30	2800	59
FE7-63	63	7	42	32	2675	62
FE7-66	66	7	44	33	2550	65
FE7-72	72	7	48	36	2325	71
FE7-96	96	7	64	48	1750	94

Model FC - Fork Covers

Caldwell Fork Covers are specifically designed to protect loads which cannot be marred or scratched. Made from durable nylon webbing, these covers are economical and long lasting.

QUICKSHIP PROGRAM



SPECIFICATIONS

Model Number (Pair)	Fork Cover Dimensions (in.)		
	A	B	C
42-1 1/2-4	42	1-1/2	4
48-1 1/2-5	48	1-1/2	5
48-2-6	48	2	6
54-1 1/2-5	54	1-1/2	5
84-4-6	84	4	6

Lift-Truc™ Section
2011-2013 Master Catalog