

Pipe & Manhole Handling

Model CPP - Pipe Pick™

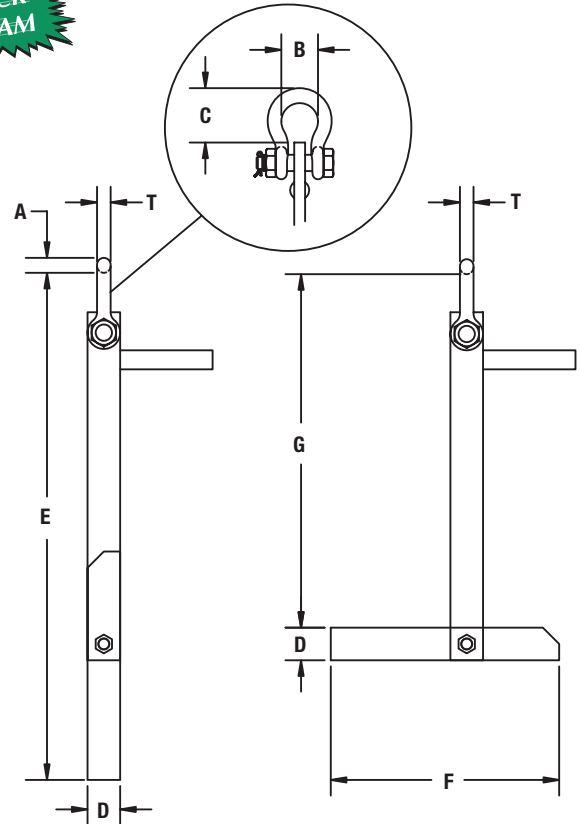
The patented concrete Pipe Pick™ is a quicker, safer and cleaner way of handling precast concrete pipe.

PRODUCT FEATURES:

- Simple and fast.
- No need to reach inside the pipe.
- Worker remains above the pipe at all times.



IN-STOCK PROGRAM



Patent No. 5,820,186

WARNING
Use only for vertical lifting.



The bigger the job, the more you'll like the **Pipe Pick™**.

SPECIFICATIONS

Model Number	Capacity (tons)	Dimensions (in.)					Bail Dimensions (in.)				Weight (lbs.)
		Minimum Pipe I.D.	D	E	F	G	A	B	C	T	
CPP-1.5	1-1/2	12	1.5	23.5	10.25	17.75	0.69	1.69	1.81	0.63	10
CPP-3	3	14	2	28.5	12.00	22.50	0.81	2.00	2.19	0.75	18
CPP-5	5	16	2.75	43.75	13.0	38.75	1.06	2.69	2.75	1.00	46