

ShopStar electric chain hoist



The ShopStar electric chain hoist features rugged construction and high H4 duty cycle. It keeps lifting and lifting, up to 1,000 pounds and 300 motor starts per hour. Additional features and benefits include:

- H4 duty cycle (300 motor starts/hour)
- Easy installation and maintenance
- Standard protector overload device
- 10 pocket oblique lay liftwheel provides longer chain wear
- Epoxy powder coat finish
- 6½ ft. power cord with molded 3 prong plug on 115 volt units
- NEMA 4 industrial rated control station
- Optional impact-resistant chain container available
- Gear train lifetime lubricated with non-oxidizing grease
- CM Hoist Alloy Load Chain (zinc plated optional)
- Thermally protected hoist duty motor
- Dual braking system — D.C. plus regenerative
- Rugged cast aluminum alloy hoist frame
- 5:1 design factor
- Small, compact design for commercial & industrial applications
- Rigid hook suspension prevents tangling of power cord
- Hardened forged steel latch style lower hook rotates 360°
- Totally enclosed non-ventilated hoist frame protects motor from environmental contamination
- True vertical lift
- Precision bearings used throughout hoist
- Lifetime warranty
- Made in U.S.A.

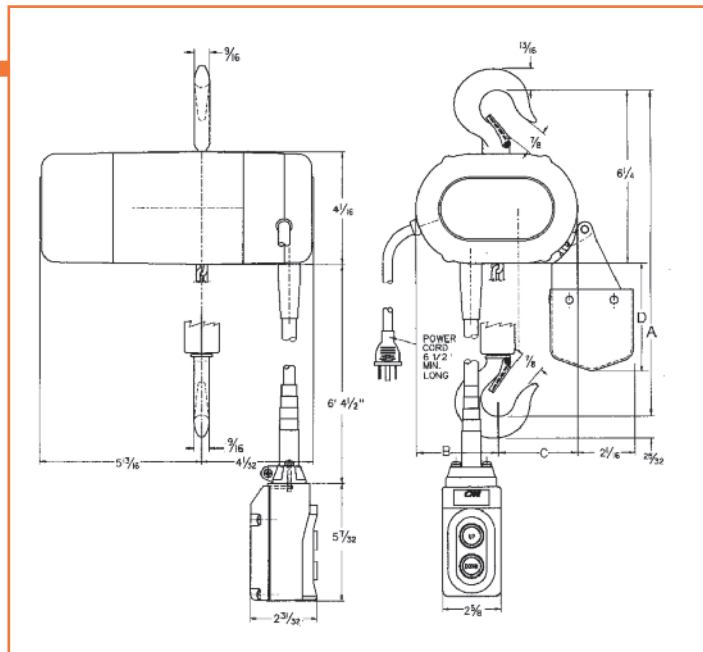
* **WARNING**

Overloading and improper use can result in injury.

To avoid injury:

- Do not exceed working load limit, load rating capacity
- Do not use to lift people or loads over people.
- use only alloy chain for overhead lifting.
- Read and follow all instructions.

ShopStar-Specifications



Clearance dimensions (in.)

Reeving	A	B	C	D
Single	11 ¹ / ₁₆	3	2 ¹⁵ / ₁₆	3 ⁷ / ₈
Double	11 ¹⁵ / ₁₆	3 ⁹ / ₁₆	2 ³ / ₈	5 ³ / ₄

Product code	Single reeved	Double reeved	Approx. Shipping wt., lbs.
2063	10	5	1
2064	20	10	1.4
2065	40	20	1.4
2066	80	40	1.4
2067	120	60	2.2

Specifications

	Product Code				Max. capacity lbs.	Lifting speed F.P.M.	Reeving	Lift ft.	Approx. shipping wt., (lbs.)	Motor H.P.
	*115-1-60	115-1-60	230-3-60	460-3-60						
2070	—	—	—	—	250	16	single	10	26	1/6
—	2069	2071	2072	—	250	16	single	10	28	1/6
—	—	2076	2077	—	250	24	single	10	28	1/6
—	—	2081	2082	—	250	40	single	10	28	1/6
2000	—	—	—	—	300	16	single	10	26	1/6
—	2047	2026	2029	—	300	16	single	10	28	1/6
—	—	2086	2087	—	300	24	single	10	28	1/6
—	—	2074	2075	—	300	40	single	10	28	1/6
2095	—	—	—	—	500	8	double	10	32	1/6
—	2094	2096	2097	—	500	8	double	10	34	1/6
2090	—	—	—	—	500	12	single	10	26	1/6
—	2089	2091	2092	—	500	12	single	10	28	1/6
—	—	2080	2084	—	500	16	single	10	28	1/6
—	—	2101	2102	—	500	20	double	10	34	1/6
—	—	2099	2100	—	500	24	single	10	28	1/6
2001	—	—	—	—	600	8	double	10	32	1/6
—	2048	2035	2038	—	600	8	double	10	34	1/6
—	—	2106	2107	—	600	12	double	10	34	1/6
—	—	2105	2114	—	600	20	double	10	34	1/6
2110	—	—	—	—	1000	6	double	10	32	1/6
—	2109	2111	2112	—	1000	6	double	10	34	1/6
—	—	2116	2117	—	1000	8	double	10	32	1/6
—	—	2119	2121	—	1000	12	double	10	32	1/6

*Codes in this column denote units with contactor in push button control station.