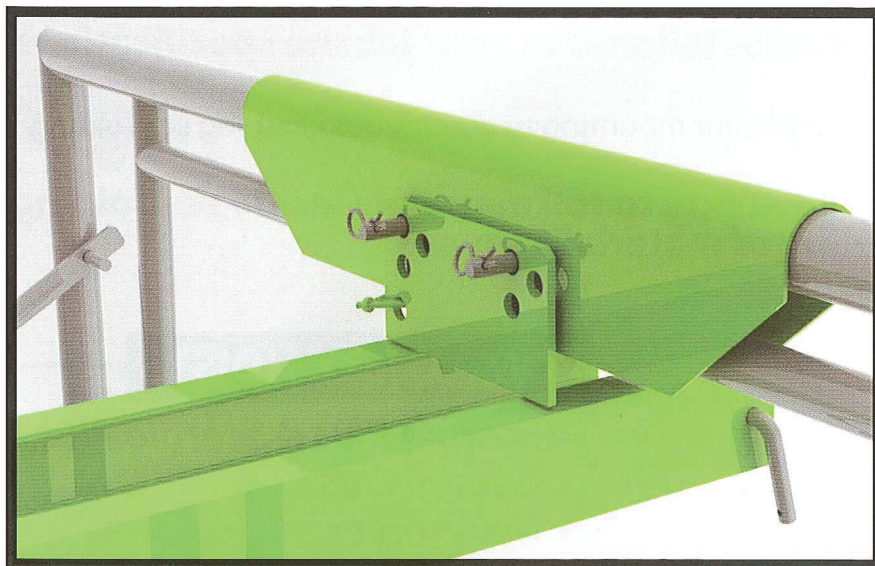
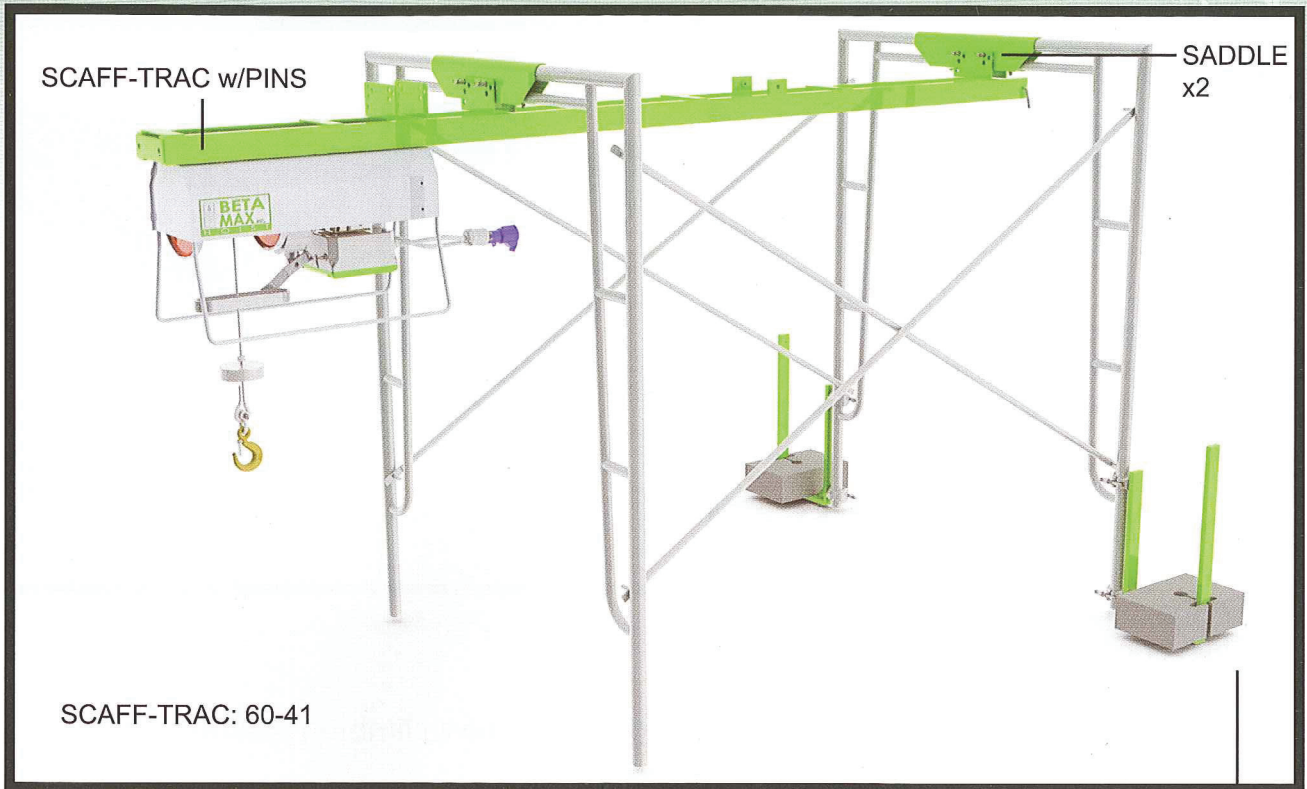




SCAFF-TRAC

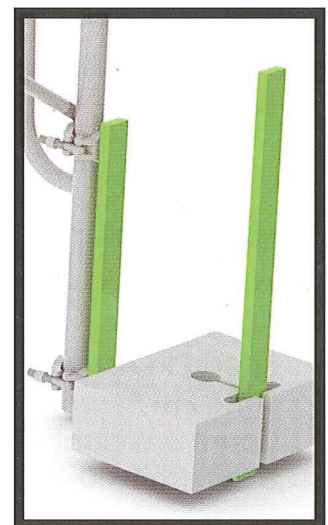
Part Number: 60-41

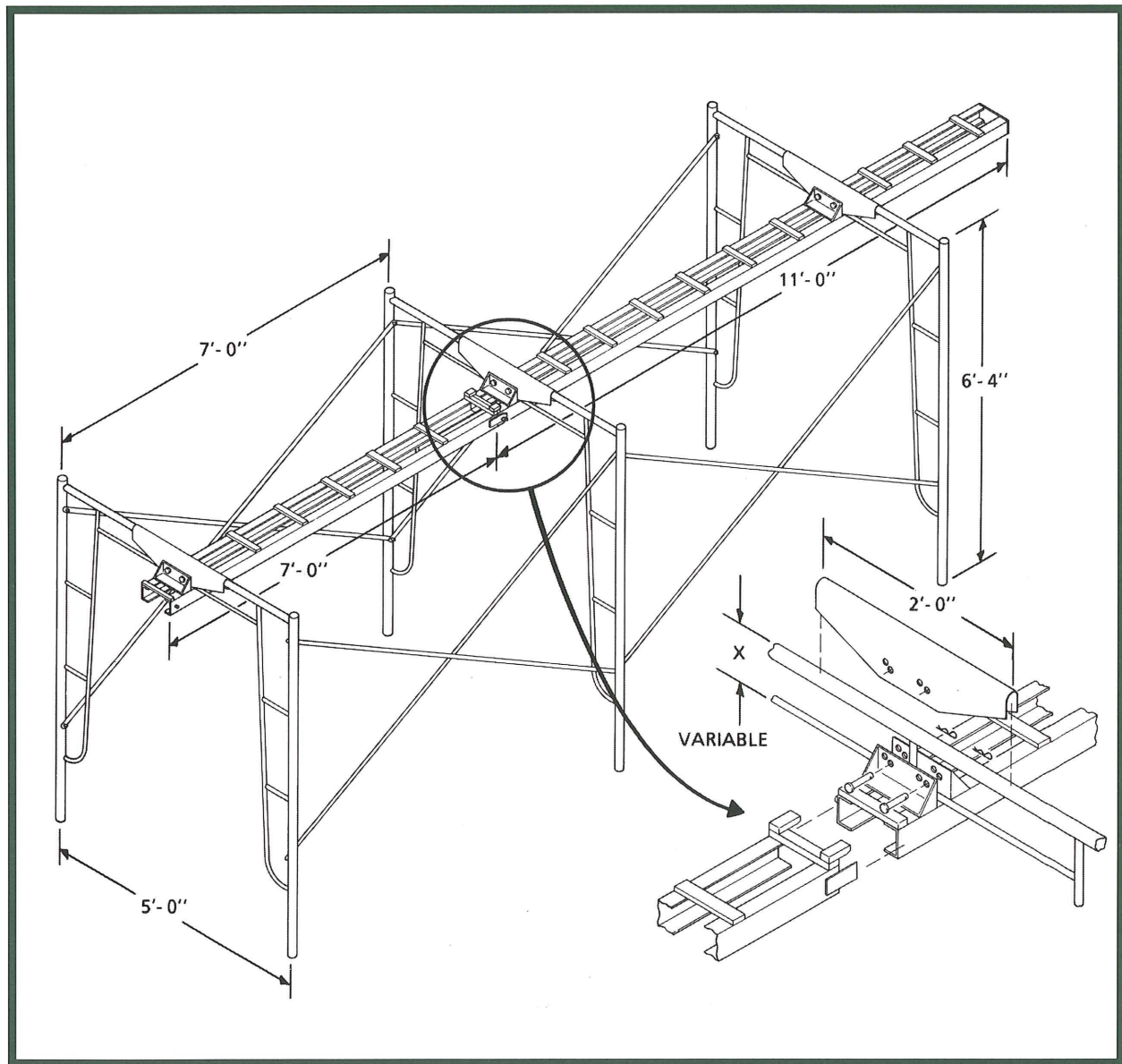
Capacity: 1200lbs



SCAFF-TRAC SADDLE & PIN ATTACHMENT

COUNTERWEIGHT CLAMP ASSEMBLY





Scaff-Trac System - 11' Main Section with Additional Extension

SCAFF-TRAC MODELS

	60-4* (Basic 7')	60-41 (Special 8')	60-11 (Ext)
Capacity	1200 lbs.	1200 lbs.	1200 lbs.
Weight of Unit	155 lbs.	155 lbs.	85 lbs.
Extendible	yes	no	yes

*Adaptable to Trestle Monorail System

A special Scaff-Trac (60-43) modified with square saddles to fit onto Non-Stop Adjustable Scaffold is also available with capacities similar to model 60-4 above.

Note: Scaffolding frames should always be securely pinned together, anchored to the building face and counter-balanced appropriately. Check Scaffolding Industry Association guidelines for more details.