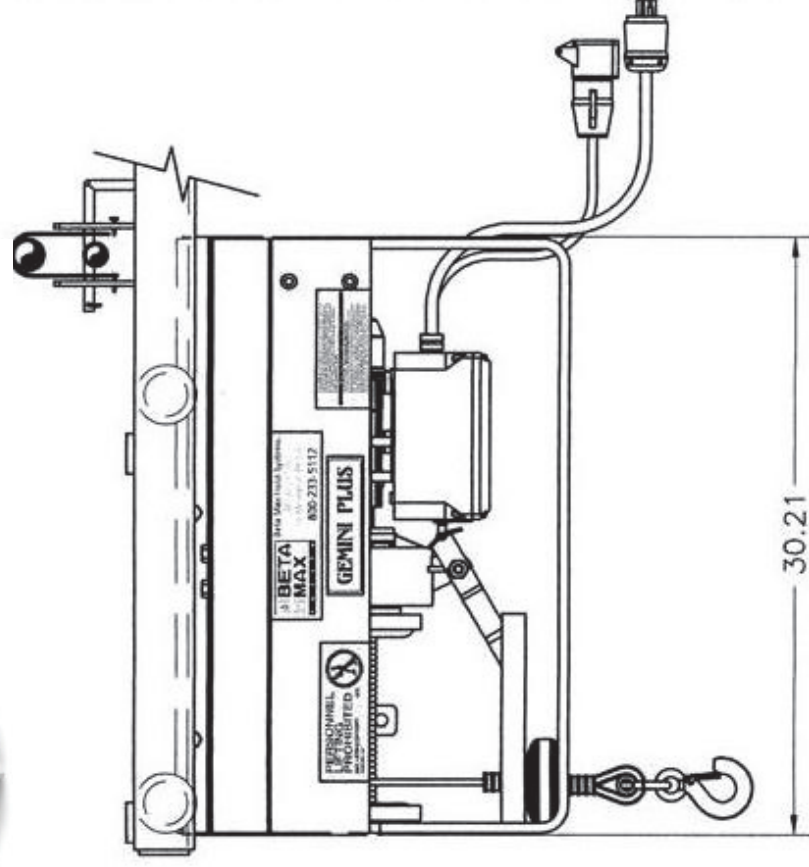
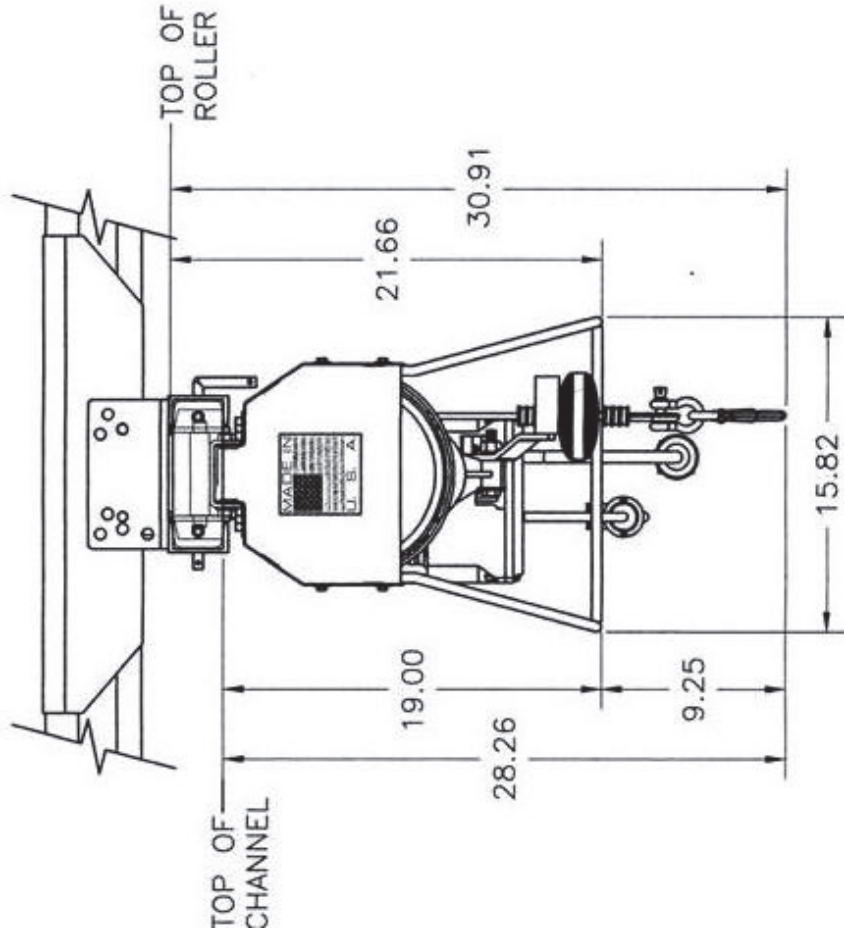




	<p>50-7 ROLLER TOP (use w/Scaff-Trac or Trestle)</p>
--	--



DIMENSION – GEMINI 110V/220V ROLLER TOP MOUNTED ON SCAFF_TRAC