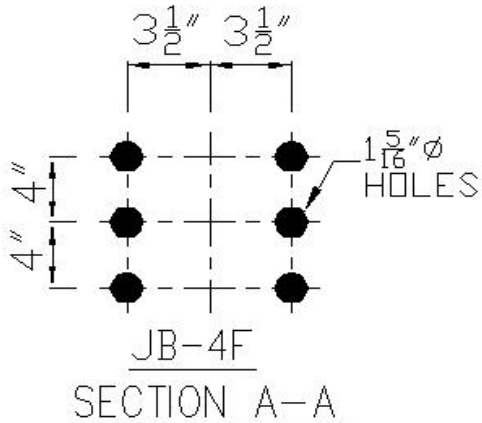
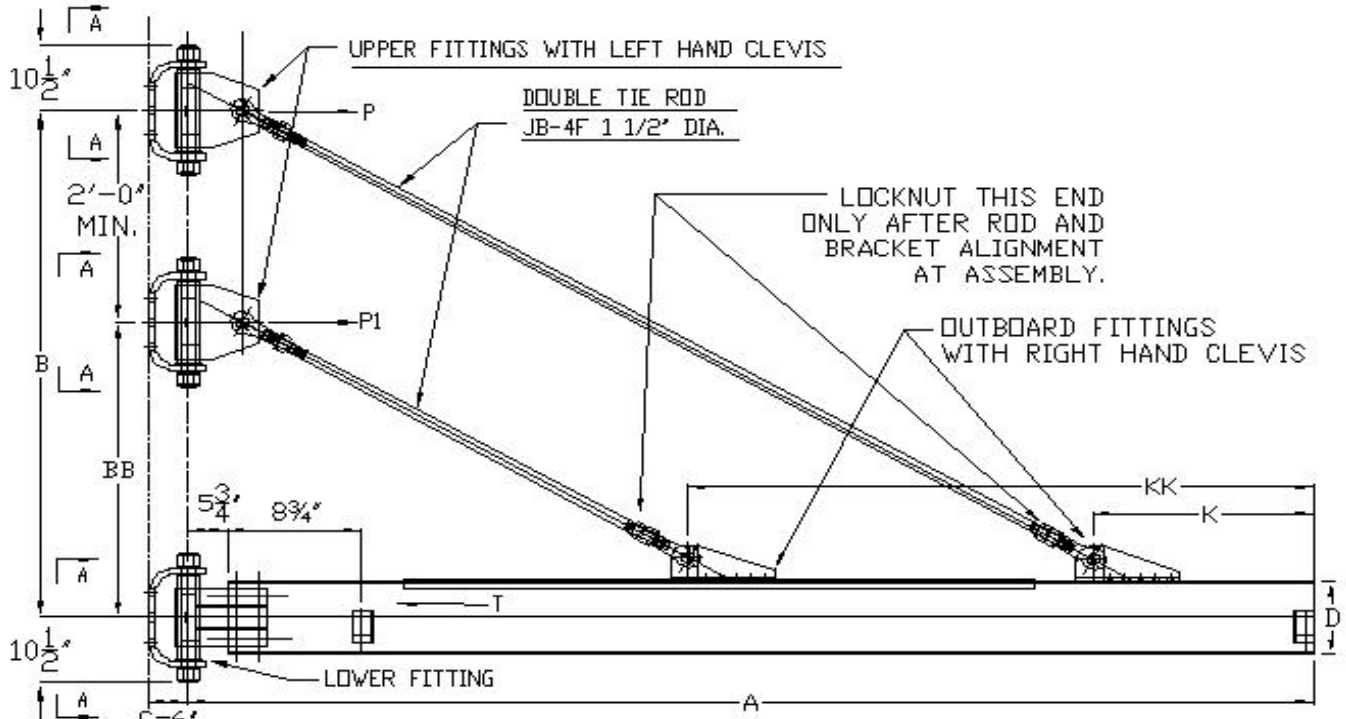




ABELL-HOWE CRANES
 DIVISION OF CRANE, EQUIPMENT & SERVICE, INC.
 10321 WERCH DR. UNIT 100, WOODRIDGE, ILLINOIS 60517

J-900 WALL BRACKET JIB CRANE
 GENERAL ARRANGEMENT
 JB-4F FABRICATED FITTINGS



MODEL:	900060	
CAPACITY:	5 TON (10,000 #)	B
A:	30' 0"	C
B:	11' 0"	I
C:	6"	E
D:	W16X45 - D 16 1/8", FW 7" W/C10F	
K:	3' 6"	G
NET WEIGHT:	2908	L

NOTE; JIB ASSEMBLY BOLTS & COLUMN CONNECTION BOLTS. TO BE ASTM-A-325 PER A-H CO. RECOMMENDATION.

ABELL-HOWE CRANES, ASSUMES NO RESPONSIBILITY FOR LOADING IMPOSED ON BUILDING STRUCTURE OR FOOTINGS BY THIS EQUIPMENT. WE SUGGEST THIS BE CHECKED BY A LICENSED STRUCTURAL ENGINEER AND ANY NECESSARY PERMITS BE SECURED.

P = MAX. PULL = ** 35,090
 T = MAX. THRUST = ** 35,090

SALES NO: _____
 CUST. ORDER NO: _____
 CUSTOMER: _____
 SHIP TO: _____

