

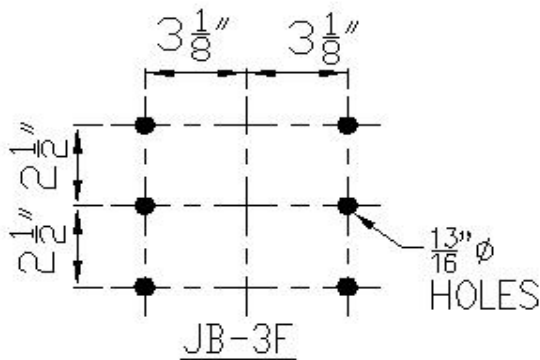
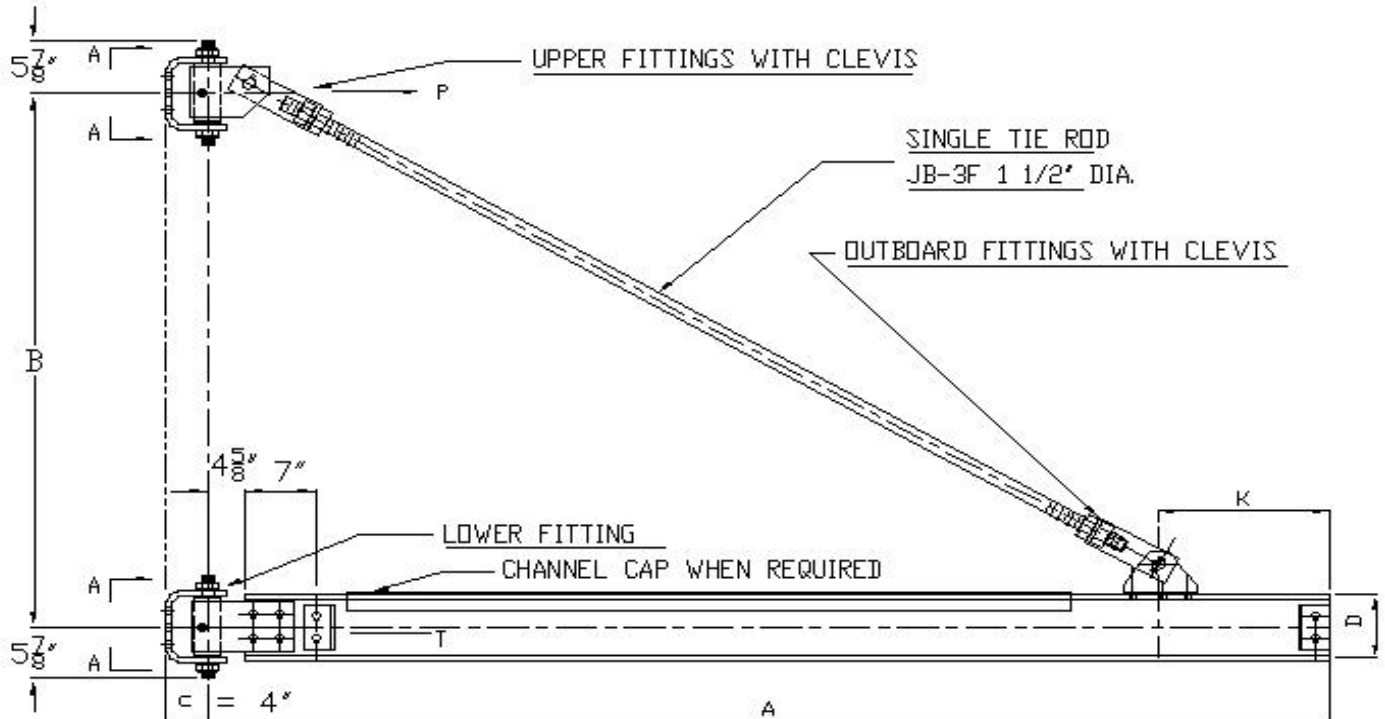


ABELL-HOWE CRANES

DIVISION OF CRANE, EQUIPMENT & SERVICE, INC.
 10321 WERCH DR. UNIT 100, WOODRIDGE, ILLINOIS 60517

J-900 WALL BRACKET JIB CRANE

GENERAL ARRANGEMENT
 JB-3F FABRICATED FITTINGS



SECTION A-A

NOTE: JIB ASSEMBLY BOLTS & COLUMN CONNECTION BOLTS. TO BE ASTM-A-325 PER A-H CO. RECOMMENDATION.

ABELL-HOWE CRANES, ASSUMES NO RESPONSIBILITY FOR LOADING IMPOSED ON BUILDING STRUCTURE OR FOOTINGS BY THIS EQUIPMENT. WE SUGGEST THIS BE CHECKED BY A LICENSED STRUCTURAL ENGINEER AND ANY NECESSARY PERMITS BE SECURED.

MODEL:	<u>900039</u>
CAPACITY:	<u>3 TON (6,000 #)</u>
A:	<u>12' 0"</u>
B:	<u>4' 0"</u>
C:	<u>4"</u>
D:	<u>W10X26 - D 10 3/8", FW 5 3/4"</u>
K:	<u>1' 9"</u>
NET WEIGHT:	<u>506</u>

SALES NO: _____
 CUST. ORDER NO: _____
 CUSTOMER: _____
 SHIP TO: _____

P = MAX. PULL = 22620
 T = MAX. THRUST = 22620