

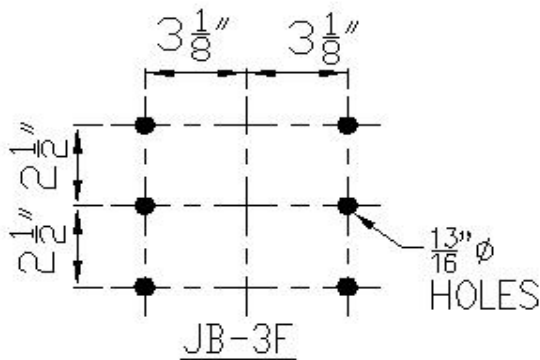
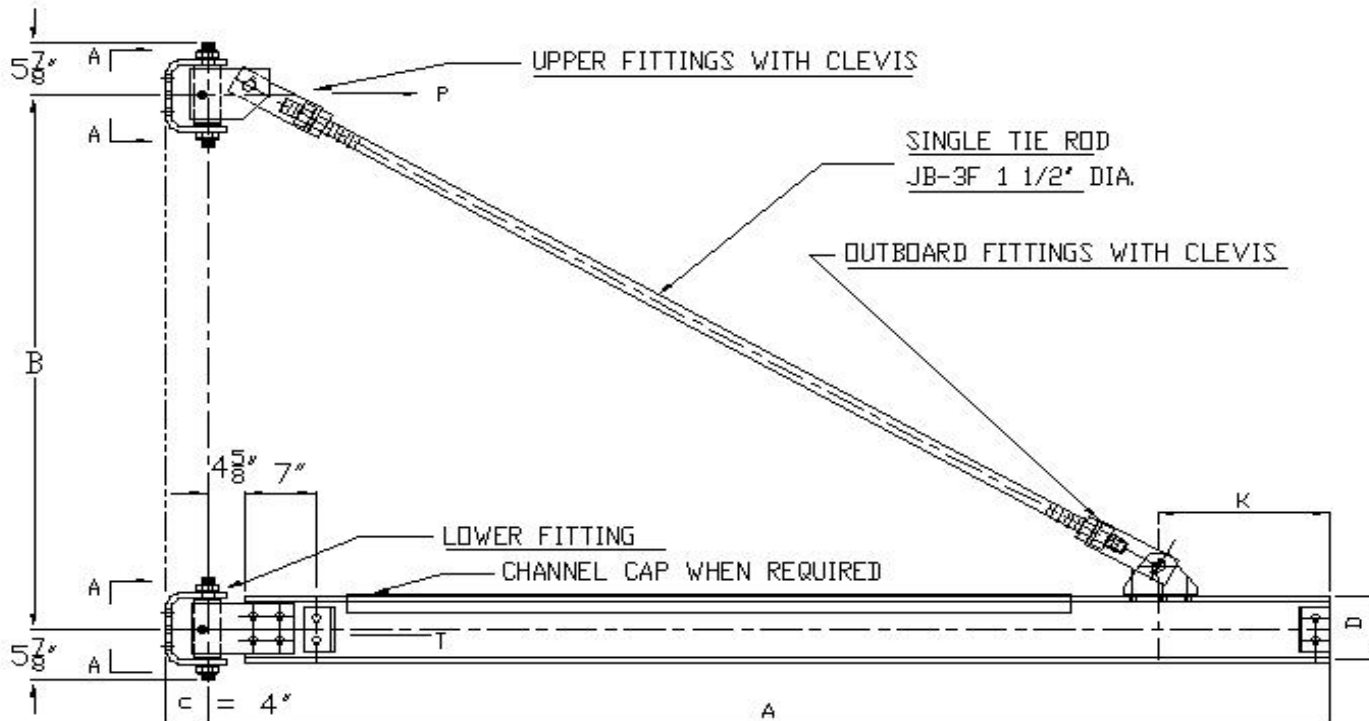


ABELL-HOWE CRANES

DIVISION OF CRANE, EQUIPMENT & SERVICE, INC.
 10321 WERCH DR. UNIT 100, WOODRIDGE, ILLINOIS 60517

J-900 WALL BRACKET JIB CRANE

GENERAL ARRANGEMENT
 JB-3F FABRICATED FITTINGS



SECTION A-A

NOTE: JIB ASSEMBLY BOLTS & COLUMN CONNECTION BOLTS.
 TO BE ASTM-A-325 PER A-H CO. RECOMMENDATION.

ABELL-HOWE CRANES, ASSUMES NO RESPONSIBILITY
 FOR LOADING IMPOSED ON BUILDING STRUCTURE OR
 FOOTINGS BY THIS EQUIPMENT. WE SUGGEST THIS BE
 CHECKED BY A LICENSED STRUCTURAL ENGINEER AND
 ANY NECESSARY PERMITS BE SECURED.

MODEL:	900038
CAPACITY:	3 TON (6,000 #)
A:	10' 0"
B:	3' 3"
C:	4"
D:	W8X21 - D 8 1/4", FW 5 1/4"
K:	1' 6"
NET WEIGHT:	394

SALES NO: _____

CUST. ORDER NO: _____

CUSTOMER: _____

SHIP TO: _____

P = MAX. PULL = 22800

T = MAX. THRUST = 22800