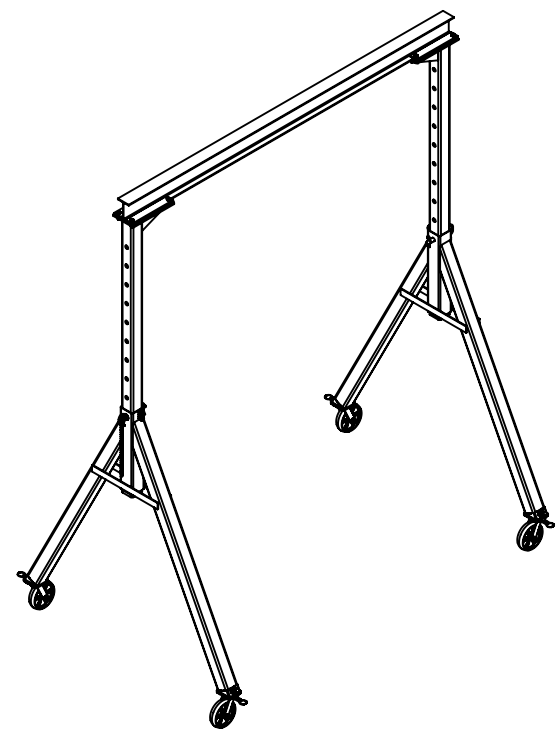
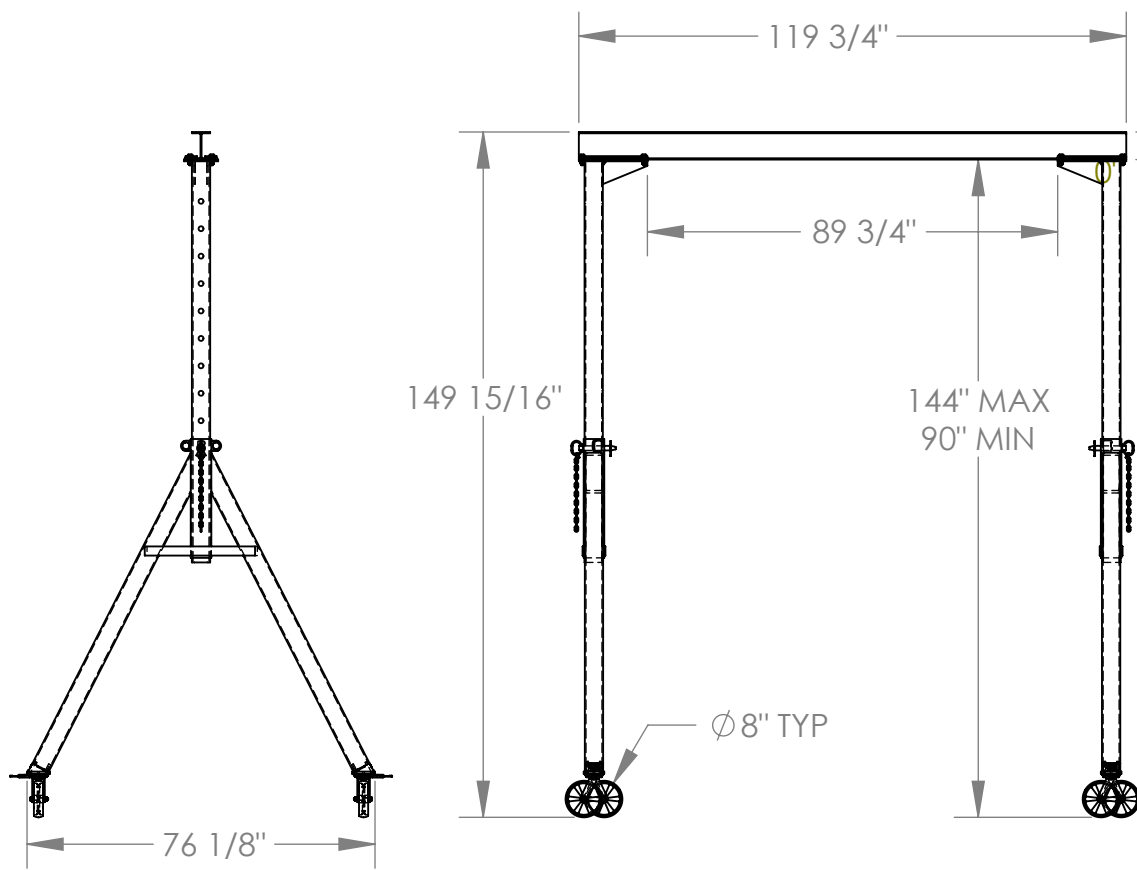


# ADJUSTABLE STEEL GANTRY CRANE - AHS-2-10-12

APPROX WEIGHT: 746.80 lbs.  
DOES NOT INCLUDE WEIGHT OF POWER OR PACKAGING!!!

\*\*\* ANY ADDITIONS, DELETIONS, OR OMISSIONS MUST BE CORRECTED ON THIS DRAWING AS THIS DRAWING WILL BE CONSIDERED ALL INCLUSIVE \*\*\*

ALL GRAPHICS PROVIDED ARE FOR REFERENCE ONLY. IF CERTAIN DIMENSIONS ARE CRITICAL PLEASE VERIFY THOSE DIMENSIONS WITH YOUR SALESPERSON



3D VIEW FOR REFERENCE ONLY

## STANDARD FEATURES

- MODEL NUMBER IS AHS-2-10-12
- CAPACITY IS 2000 LBS.
- BASE WIDTH IS 76 1/8"
- OVERALL HEIGHT IS 149 15/16"
- OVERALL BEAM LENGTH IS 119 3/4"
- USABLE BEAM LENGTH IS 89 3/4"
- I-BEAM HEIGHT IS 6"
- OVERALL HEIGHT IS 149 15/16"
- UNDER I-BEAM HEIGHT IS 90" TO 144"
- CASTERS: (4) 8" X 2" SWIVEL WITH FOUR LOCKING POSITION

## ADDITIONAL OPTIONS

MANUAL TROLRIES	
1,000 # CAPACITY	2,000 # CAPACITY
QIT-1	QIT-2
E-MT-1	E-MT-2
E-MT-1-C	E-MT-2-C

\*\*CAPACITY OF ATTACHMENTS MAY DERATE CAPACITY OF GANTRY CRANE

I, THE UNDERSIGNED, AGREE THAT THE PRODUCT AS REPRESENTED SATISFIES DESIGN AND DIMENSION REQUIREMENTS. I ALSO ACKNOWLEDGE MY DUTY TO CONFIRM PRODUCT AND INSTALLATION COMPLIANCE WITH ALL APPLICABLE FEDERAL, STATE AND LOCAL REGULATIONS AND STANDARDS.

**ALL SPECIAL UNITS ARE NON-RETURNABLE**  
[ ] As drawn [ ] As marked

Signed: \_\_\_\_\_ Date: \_\_\_\_\_

LEAD TIME WILL START UPON RECEIPT OF SIGNED APPROVAL DRAWING

DISTRIBUTOR'S NAME:		P.O.#
VESTIL MANUFACTURING		X
		W.O.#
DRAWN BY: ND		X
DATE: 9/30/09		SALES: X
REFERENCE: X	SCALE: 1:42	FILE NAME:
QUOTED LEAD TIME: X	QUOTE # X	28-007-067

APPROVAL