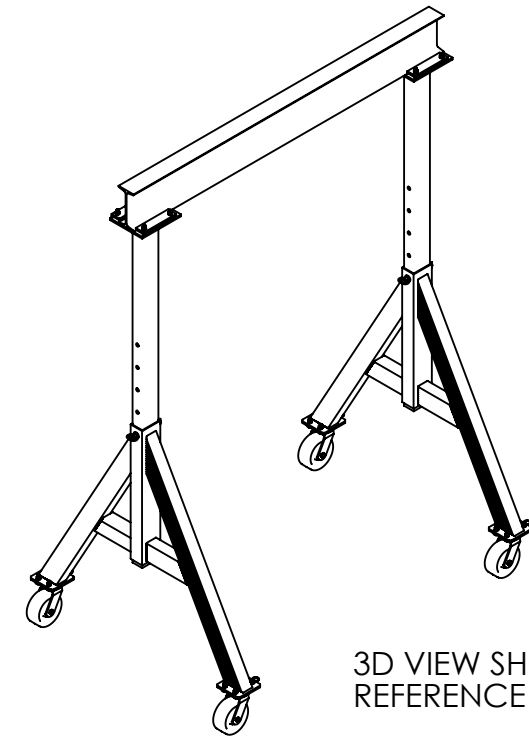
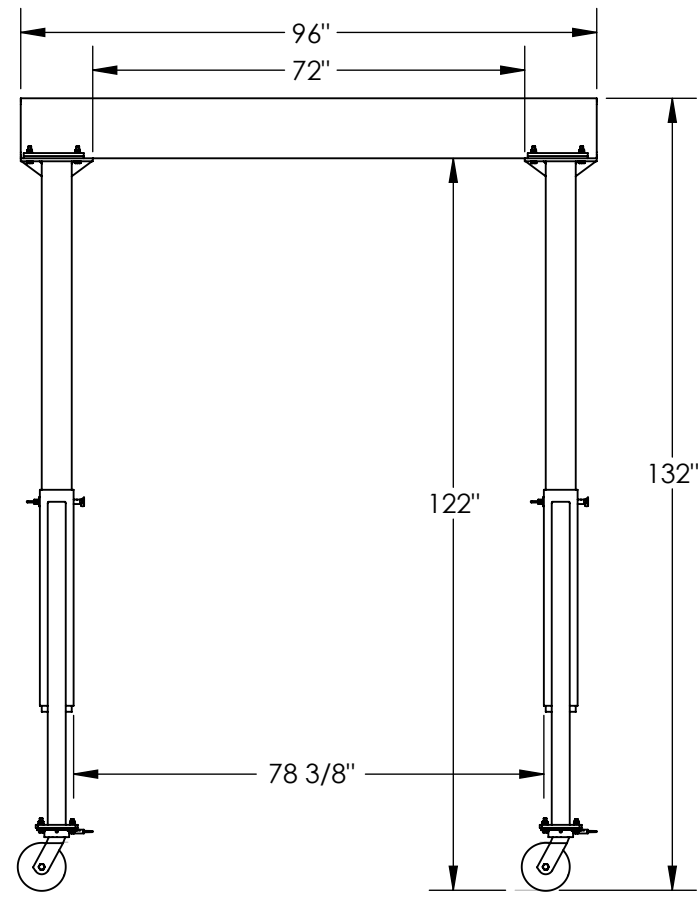
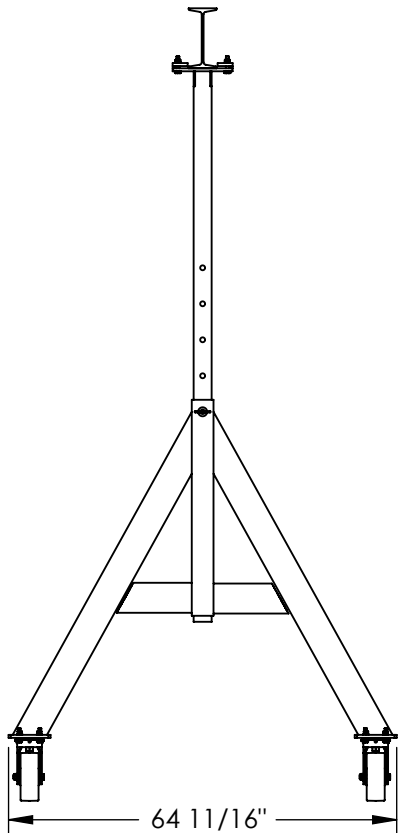


ADJUSTABLE ALUMINUM GANTRY CRANE - AHA-6-8-10

APPROX WEIGHT: 350.89 lbs.
DOES NOT INCLUDE WEIGHT OF POWER OR PACKAGING!!!

*** ANY ADDITIONS, DELETIONS, OR OMISSIONS MUST BE CORRECTED ON THIS DRAWING AS THIS DRAWING WILL BE CONSIDERED ALL INCLUSIVE ***

ALL GRAPHICS PROVIDED ARE FOR REFERENCE ONLY. IF CERTAIN DIMENSIONS ARE CRITICAL PLEASE VERIFY THOSE DIMENSIONS WITH YOUR SALESPERSON



3D VIEW SHOWN FOR REFERENCE ONLY

STANDARD FEATURES

- MODEL NUMBER IS AHA-6-8-10
- MAX CAPACITY IS 6,000 LBS.
- OVERALL BASE WIDTH IS 64 11/16"
- OVERALL I-BEAM LENGTH IS 96"
- USABLE I-BEAM LENGTH IS 72"
- OVERALL HEIGHT IS 132"
- UNDER I-BEAM HEIGHT IS 8' 2" TO 10' 2"
- 10" I-BEAM
- STRADDLE I. D. IS APPROX. 78 3/8"
- CASTERS: (4) Ø8" PHENOLIC SWIVEL WITH FOUR LOCKING POSITIONS

SPECIAL FEATURES

NONE

ADDITIONAL OPTIONS

| MANUAL TROLRIES | | | |
|------------------|------------------|------------------|------------------|
| 1,000 # CAPACITY | 2,000 # CAPACITY | 4,000 # CAPACITY | 6,000 # CAPACITY |
| QIT-1 | QIT-2 | QIT-4 | QIT-6 |
| E-MT-1 | E-MT-2 | E-MT-4 | E-MT-6 |
| E-MT-1-C | E-MT-2-C | E-MT-4-C | E-MT-6-C |

I, THE UNDERSIGNED, AGREE THAT THE PRODUCT AS REPRESENTED SATISFIES DESIGN AND DIMENSION REQUIREMENTS. I ALSO ACKNOWLEDGE MY DUTY TO CONFIRM PRODUCT AND INSTALLATION COMPLIANCE WITH ALL APPLICABLE FEDERAL, STATE AND LOCAL REGULATIONS AND STANDARDS.

ALL SPECIAL UNITS ARE NON-RETURNABLE
[] As drawn [] As marked

Signed: _____ Date: _____

LEAD TIME WILL START UPON RECEIPT OF SIGNED APPROVAL DRAWING

| | | |
|----------------------|-------------|------------|
| DISTRIBUTOR'S NAME: | | P.O.# |
| VESTIL MANUFACTURING | | X |
| DRAWN BY: ND | | W.O.# |
| DATE: 5/21/09 | | X |
| REFERENCE: X | SCALE: 1:32 | SALES: X |
| QUOTED LEAD TIME: X | QUOTE # X | FILE NAME: |
| | | 28-007-253 |

**CAPACITY OF ATTACHMENTS MAY DERATE CAPACITY OF GANTRY CRANE