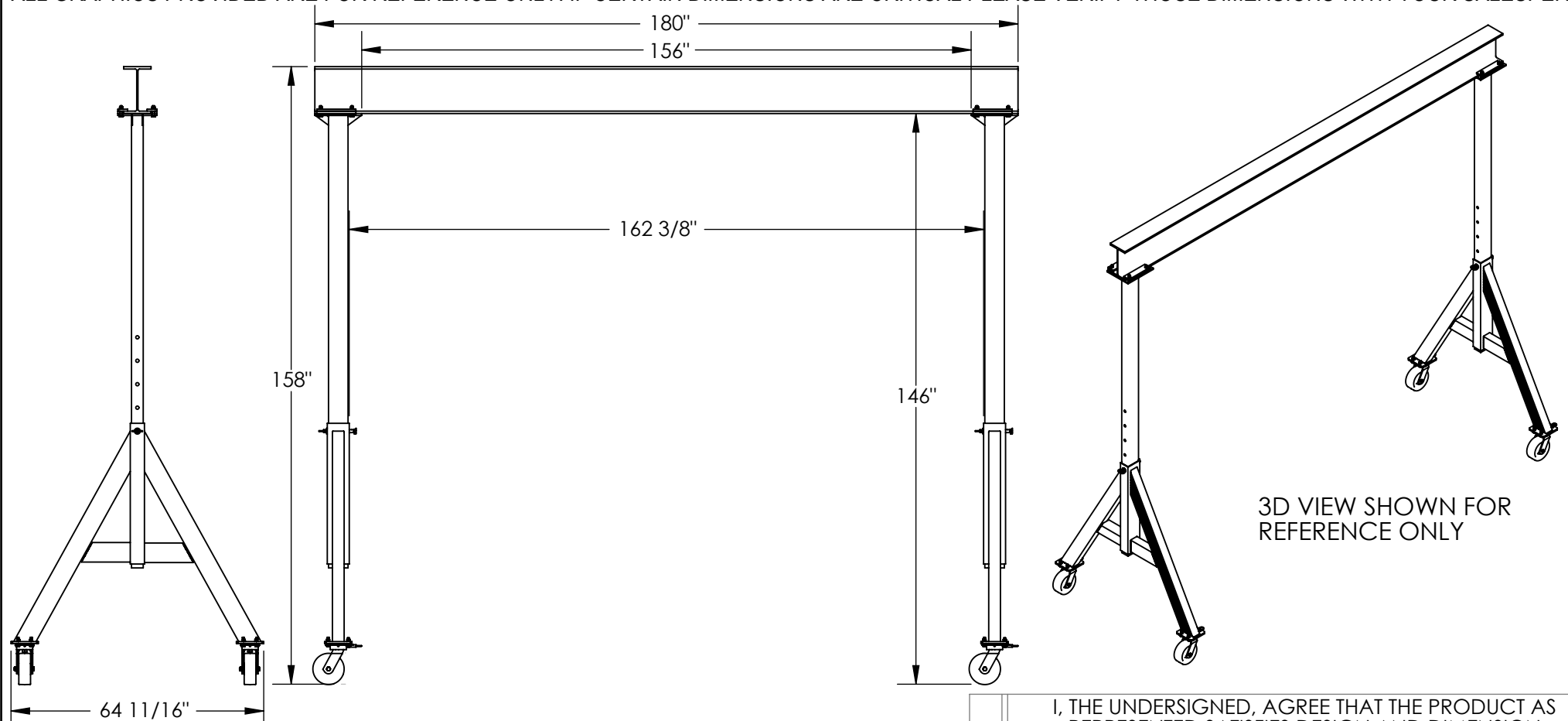


# ADJUSTABLE ALUMINUM GANTRY CRANE - AHA-6-15-12

APPROX WEIGHT: 515.86 lbs.  
DOES NOT INCLUDE WEIGHT OF POWER OR PACKAGING!!!

\*\*\* ANY ADDITIONS, DELETIONS, OR OMISSIONS MUST BE CORRECTED ON THIS DRAWING AS THIS DRAWING WILL BE CONSIDERED ALL INCLUSIVE \*\*\*  
ALL GRAPHICS PROVIDED ARE FOR REFERENCE ONLY. IF CERTAIN DIMENSIONS ARE CRITICAL PLEASE VERIFY THOSE DIMENSIONS WITH YOUR SALESPERSON



## STANDARD FEATURES

MODEL NUMBER IS AHA-6-15-12  
MAX CAPACITY IS 6,000 LBS.  
OVERALL BASE WIDTH IS 64 11/16"  
OVERALL I-BEAM LENGTH IS 180"  
USABLE I-BEAM LENGTH IS 156"  
OVERALL HEIGHT IS 158"  
UNDER I-BEAM HEIGHT IS 10' 2" TO 12' 2"  
12" I-BEAM  
STRADDLE I.D. IS APPROX. 162 3/8"  
CASTERS: (4) Ø8" PHENOLIC  
SWIVEL WITH FOUR  
LOCKING POSITIONS

## SPECIAL FEATURES

NONE

## ADDITIONAL OPTIONS

MANUAL TROLRIES			
1,000 # CAPACITY	2,000 # CAPACITY	4,000 # CAPACITY	6,000 # CAPACITY
QIT-1	QIT-2	QIT-4	QIT-6
E-MT-1	E-MT-2	E-MT-4	E-MT-6
E-MT-1-C	E-MT-2-C	E-MT-4-C	E-MT-6-C

\*\*CAPACITY OF ATTACHMENTS MAY  
DERATE CAPACITY OF GANTRY CRANE

APPROVAL

I, THE UNDERSIGNED, AGREE THAT THE PRODUCT AS REPRESENTED SATISFIES DESIGN AND DIMENSION REQUIREMENTS. I ALSO ACKNOWLEDGE MY DUTY TO CONFIRM PRODUCT AND INSTALLATION COMPLIANCE WITH ALL APPLICABLE FEDERAL, STATE AND LOCAL REGULATIONS AND STANDARDS.  
**ALL SPECIAL UNITS ARE NON-RETURNABLE**  
[ ] As drawn [ ] As marked

Signed: \_\_\_\_\_ Date: \_\_\_\_\_

LEAD TIME WILL START UPON RECEIPT OF SIGNED APPROVAL DRAWING

DISTRIBUTOR'S NAME:		P.O.#
VESTIL MANUFACTURING		X
DRAWN BY:	DATE:	W.O.#
ND	5/21/09	X
REFERENCE:	SCALE:	SALES:
X	1:38	X
QUOTED LEAD TIME:	QUOTE #	FILE NAME:
X	X	28-007-263