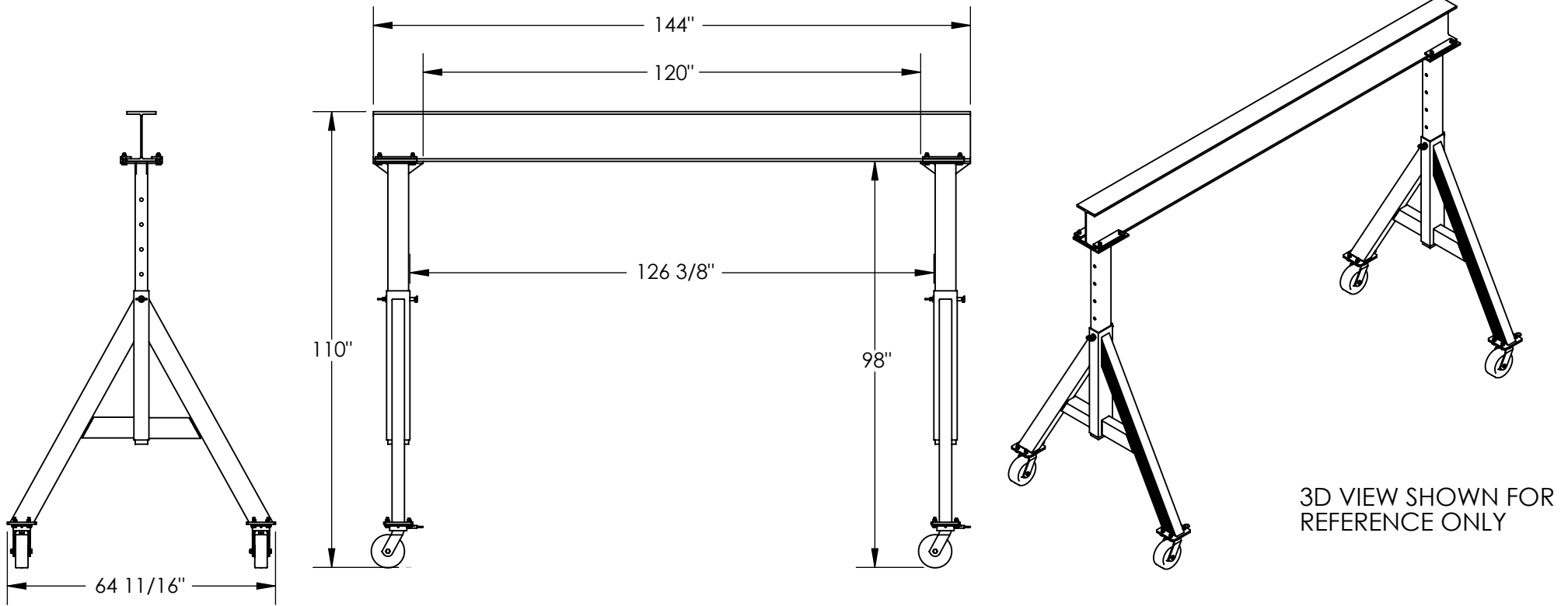


ADJUSTABLE ALUMINUM GANTRY CRANE - AHA-6-12-8

APPROX WEIGHT: 436.25 lbs.
 DOES NOT INCLUDE WEIGHT OF POWER OR PACKAGING!!!

*** ANY ADDITIONS, DELETIONS, OR OMISSIONS MUST BE CORRECTED ON THIS DRAWING AS THIS DRAWING WILL BE CONSIDERED ALL INCLUSIVE ***

ALL GRAPHICS PROVIDED ARE FOR REFERENCE ONLY. IF CERTAIN DIMENSIONS ARE CRITICAL PLEASE VERIFY THOSE DIMENSIONS WITH YOUR SALESPERSON



STANDARD FEATURES

- MODEL NUMBER IS AHA-6-12-8
- MAX CAPACITY IS 6,000 LBS.
- OVERALL BASE WIDTH IS 64 11/16"
- OVERALL I-BEAM LENGTH IS 144"
- USABLE I-BEAM LENGTH IS 120"
- OVERALL HEIGHT IS 110"
- UNDER I-BEAM HEIGHT IS 6' 2" TO 8' 2"
- 12" I-BEAM
- STRADDLE I.D. IS APPROX. 126 3/8"
- CASTERS: (4) Ø8" PHENOLIC SWIVEL WITH FOUR LOCKING POSITIONS

SPECIAL FEATURES

NONE

ADDITIONAL OPTIONS

MANUAL TROLLIES			
1,000 # CAPACITY	2,000 # CAPACITY	4,000 # CAPACITY	6,000 # CAPACITY
QIT-1	QIT-2	QIT-4	QIT-6
E-MT-1	E-MT-2	E-MT-4	E-MT-6
E-MT-1-C	E-MT-2-C	E-MT-4-C	E-MT-6-C

**CAPACITY OF ATTACHMENTS MAY DERATE CAPACITY OF GANTRY CRANE

I, THE UNDERSIGNED, AGREE THAT THE PRODUCT AS REPRESENTED SATISFIES DESIGN AND DIMENSION REQUIREMENTS. I ALSO ACKNOWLEDGE MY DUTY TO CONFIRM PRODUCT AND INSTALLATION COMPLIANCE WITH ALL APPLICABLE FEDERAL, STATE AND LOCAL REGULATIONS AND STANDARDS.

ALL SPECIAL UNITS ARE NON-RETURNABLE

[] As drawn [] As marked

Signed: _____ Date: _____

LEAD TIME WILL START UPON RECEIPT OF SIGNED APPROVAL DRAWING

APPROVAL	DISTRIBUTOR'S NAME:		P.O.#
	VESTIL MANUFACTURING		X
	DRAWN BY: ND	DATE: 5/21/09	W.O.#
	REFERENCE: X		X
QUOTED LEAD TIME: X		SCALE: 1:36	SALES: X
QUOTE # X		FILE NAME:	28-007-258