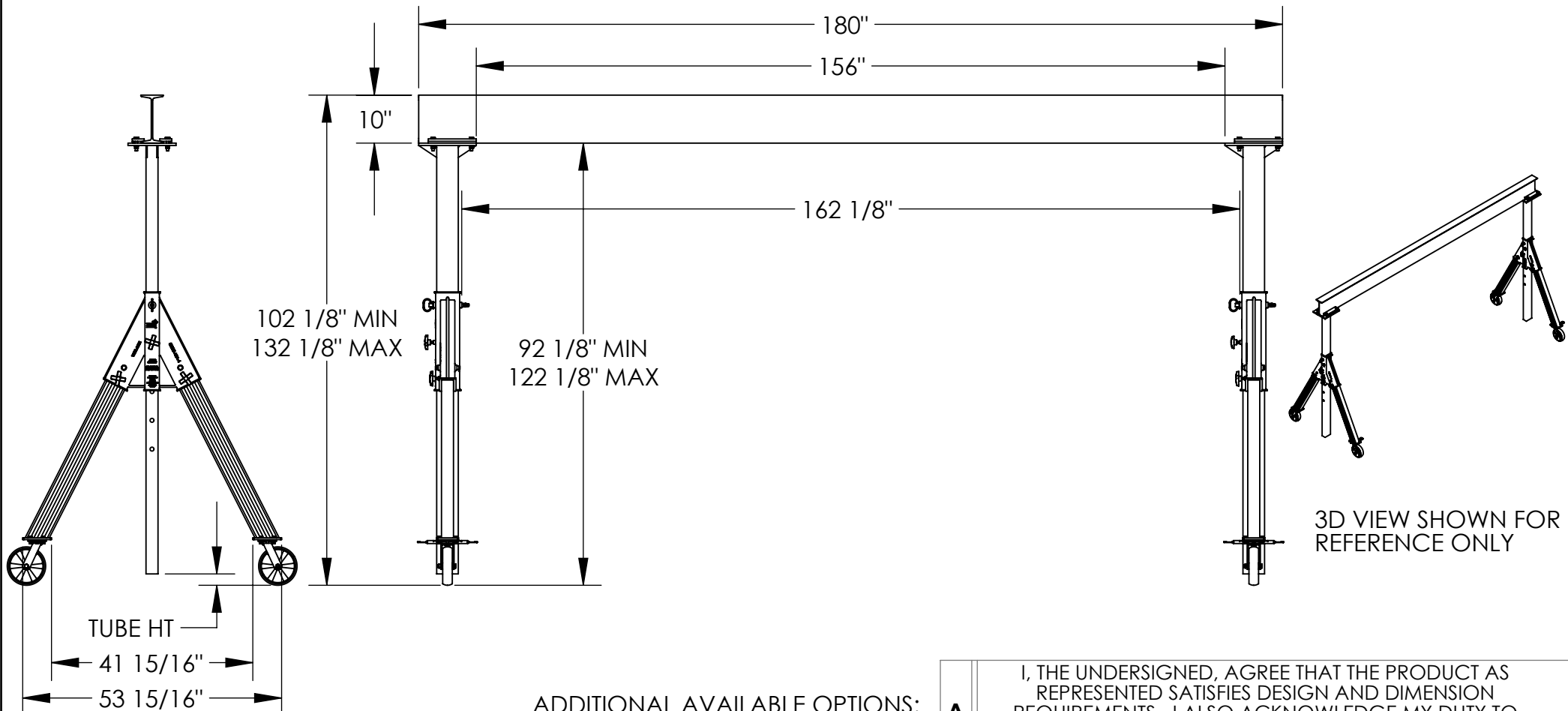


ALUMINUM GANTRY CRANE - AHA-4-15-10

APPROX WEIGHT: 310.59 lbs.
DOES NOT INCLUDE WEIGHT OF POWER OR PACKAGING!!!

*** ANY ADDITIONS, DELETIONS, OR OMISSIONS MUST BE CORRECTED ON THIS DRAWING AS THIS DRAWING WILL BE CONSIDERED ALL INCLUSIVE ***

ALL GRAPHICS PROVIDED ARE FOR REFERENCE ONLY. IF CERTAIN DIMENSIONS ARE CRITICAL PLEASE VERIFY THOSE DIMENSIONS WITH YOUR SALESPERSON



STANDARD FEATURES

MODEL NUMBER IS AHA-4-15-10
CAPACITY IS 4,000 LBS.
OVERALL BASE WIDTH IS 53 15/16"
USABLE BASE WIDTH IS 41 15/16"
OVERALL I-BEAM LENGTH IS 180"
USABLE I-BEAM LENGTH IS 156"
I-BEAM HEIGHT IS 10"
UNDER I-BEAM CLEARANCE IS 92 1/8" TO 122-1/8"
TUBE HEIGHT IS 2 1/4" MIN., 32 1/4" MAX.
STRADDLE LENGTH IS 162 1/8"
Ø8" SWIVEL CASTERS W/4 POSITION LOCK

SPECIAL FEATURES

NONE

ADDITIONAL AVAILABLE OPTIONS:

MANUAL TROLRIES		
1,000# CAPACITY	2,000# CAPACITY	4,000# CAPACITY
QIT-1	QIT-2	QIT-4
E-MT-1	E-MT-2	E-MT-2
E-MT-1-C	E-MT-2-C	E-MT-4-C

**CAPACITY OF ATTACHMENTS MAY DERATE CAPACITY OF GANTRY CRANE

APPROVAL

I, THE UNDERSIGNED, AGREE THAT THE PRODUCT AS REPRESENTED SATISFIES DESIGN AND DIMENSION REQUIREMENTS. I ALSO ACKNOWLEDGE MY DUTY TO CONFIRM PRODUCT AND INSTALLATION COMPLIANCE WITH ALL APPLICABLE FEDERAL, STATE AND LOCAL REGULATIONS AND STANDARDS.
ALL SPECIAL UNITS ARE NON-RETURNABLE
[] As drawn [] As marked

Signed: _____ Date: _____

LEAD TIME WILL START UPON RECEIPT OF SIGNED APPROVAL DRAWING

DISTRIBUTOR'S NAME:		P.O.#
VESTIL MANUFACTURING		X
DRAWN BY: ND		DATE: 3/25/11
REFERENCE: X		SCALE: 1:30
QUOTED LEAD TIME: X		QUOTE # X
		FILE NAME: 28-007-230
		SALES: X