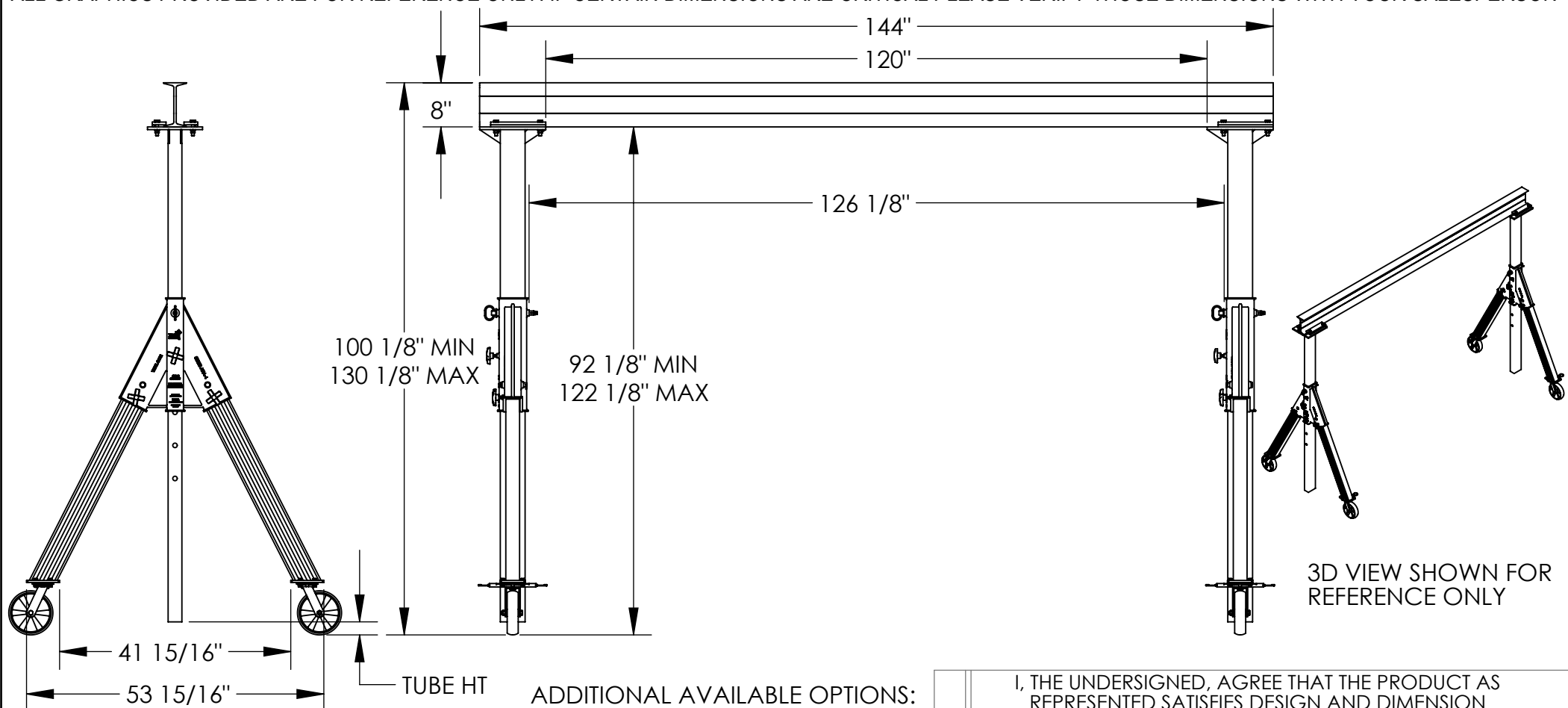


ALUMINUM GANTRY CRANE - AHA-4-12-10

APPROX WEIGHT: 270.13 lbs.
DOES NOT INCLUDE WEIGHT OF POWER OR PACKAGING!!!

*** ANY ADDITIONS, DELETIONS, OR OMISSIONS MUST BE CORRECTED ON THIS DRAWING AS THIS DRAWING WILL BE CONSIDERED ALL INCLUSIVE ***

ALL GRAPHICS PROVIDED ARE FOR REFERENCE ONLY. IF CERTAIN DIMENSIONS ARE CRITICAL PLEASE VERIFY THOSE DIMENSIONS WITH YOUR SALESPERSON



3D VIEW SHOWN FOR REFERENCE ONLY

ADDITIONAL AVAILABLE OPTIONS:

MANUAL TROLLIES		
1,000# CAPACITY	2,000# CAPACITY	4,000# CAPACITY
QIT-1	QIT-2	QIT-4
E-MT-1	E-MT-2	E-MT-2
E-MT-1-C	E-MT-2-C	E-MT-4-C

STANDARD FEATURES

- MODEL NUMBER IS AHA-4-12-10
- CAPACITY IS 4,000 LBS.
- OVERALL BASE WIDTH IS 53 15/16"
- USABLE BASE WIDTH IS 41 15/16"
- OVERALL I-BEAM LENGTH IS 144"
- USABLE I-BEAM LENGTH IS 120"
- I-BEAM HEIGHT IS 8"
- UNDER I-BEAM CLEARANCE IS 92 1/8" TO 122-1/8"
- TUBE HEIGHT IS 2 1/4" MIN., 32 1/4" MAX.
- STRADDLE LENGTH IS 126 1/8"
- Ø8" SWIVEL CASTERS W/4 POSITION LOCK

SPECIAL FEATURES

NONE

**CAPACITY OF ATTACHMENTS MAY DERATE CAPACITY OF GANTRY CRANE

APPROVAL

I, THE UNDERSIGNED, AGREE THAT THE PRODUCT AS REPRESENTED SATISFIES DESIGN AND DIMENSION REQUIREMENTS. I ALSO ACKNOWLEDGE MY DUTY TO CONFIRM PRODUCT AND INSTALLATION COMPLIANCE WITH ALL APPLICABLE FEDERAL, STATE AND LOCAL REGULATIONS AND STANDARDS.

ALL SPECIAL UNITS ARE NON-RETURNABLE
[] As drawn [] As marked

Signed: _____ Date: _____

LEAD TIME WILL START UPON RECEIPT OF SIGNED APPROVAL DRAWING

DISTRIBUTOR'S NAME:		P.O.#
VESTIL MANUFACTURING		X
DRAWN BY: ND		W.O.#
DATE: 3/25/11		X
REFERENCE: X	SCALE: 1:26	SALES: X
QUOTED LEAD TIME: X	QUOTE # X	FILE NAME:
		28-007-224